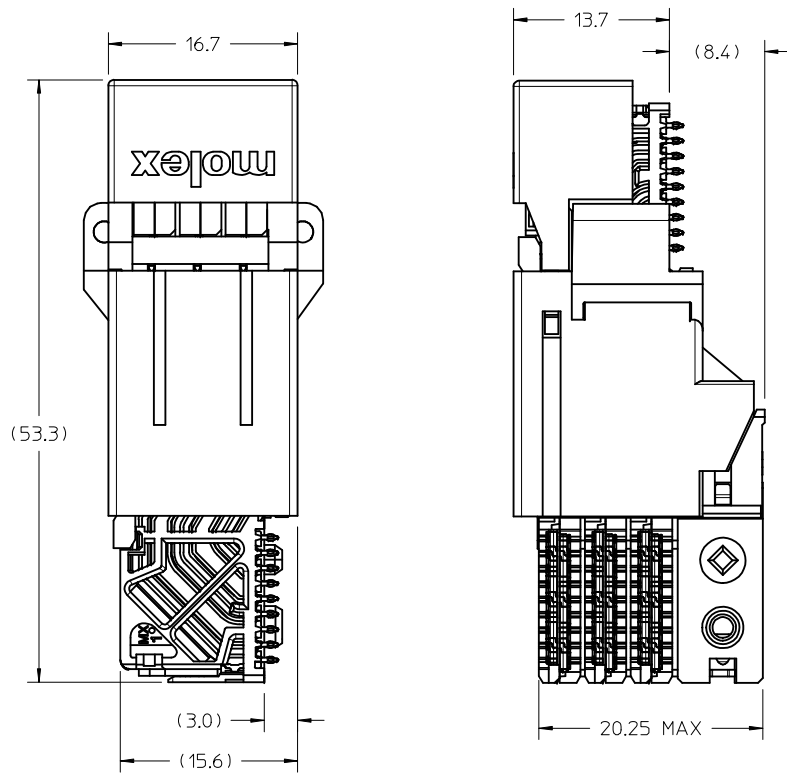


OD-RAM HOLE PATTERN
(CONNECTOR SIDE)

2ND GATE AND OUTRIGGERS EC NO: UCP2015-5544 DRAWN BY: JIMILLER 2016/10/07 CHKD: TELO APPR: TELO 2016/10/10	QUALITY SYMBOLS ▽=0 ▽=0	GENERAL TOLERANCES (UNLESS SPECIFIED) <table border="1"> <tr> <th></th> <th>mm</th> <th>INCH</th> </tr> <tr> <td>4 PLACES</td> <td>± 0.15</td> <td>± 0.006</td> </tr> <tr> <td>3 PLACES</td> <td>± 0.20</td> <td>± 0.008</td> </tr> <tr> <td>2 PLACES</td> <td>± 0.25</td> <td>± 0.010</td> </tr> <tr> <td>1 PLACE</td> <td>± 0.30</td> <td>± 0.012</td> </tr> </table>		mm	INCH	4 PLACES	± 0.15	± 0.006	3 PLACES	± 0.20	± 0.008	2 PLACES	± 0.25	± 0.010	1 PLACE	± 0.30	± 0.012	DIMENSION STYLE MM ONLY	SCALE 3:1	DESIGN UNITS METRIC	THIRD ANGLE PROJECTION
		mm	INCH																		
	4 PLACES	± 0.15	± 0.006																		
	3 PLACES	± 0.20	± 0.008																		
2 PLACES	± 0.25	± 0.010																			
1 PLACE	± 0.30	± 0.012																			
DRAFT WHERE APPLICABLE MUST REMAIN WITHIN DIMENSIONS	MATERIAL NO. SEE CHART	DRAWN BY JMENDOZA	DATE 2012/12/14	TITLE IMPACT ORTHOGONAL DIRECT 3 PAIR RAM 90 & 270 ASSY BOTTOM GUIDED SALES DWG	DOCUMENT NO. SD-171573-0003	SHEET NO. 1 OF 4															
SIZE C	THIS DRAWING CONTAINS INFORMATION THAT IS PROPRIETARY TO MOLEX INCORPORATED AND SHOULD NOT BE USED WITHOUT WRITTEN PERMISSION	CHECKED BY TELO	DATE 2012/12/14	APPROVED BY TELO	DATE 2013/12/26	MOLEX INCORPORATED															
REV C	DESCRIPTION 2ND GATE AND OUTRIGGERS	ANGULAR ± 1/2°	MATERIAL NO. SEE CHART	DATE 2013/12/26	DATE 2013/12/26	MOLEX INCORPORATED															



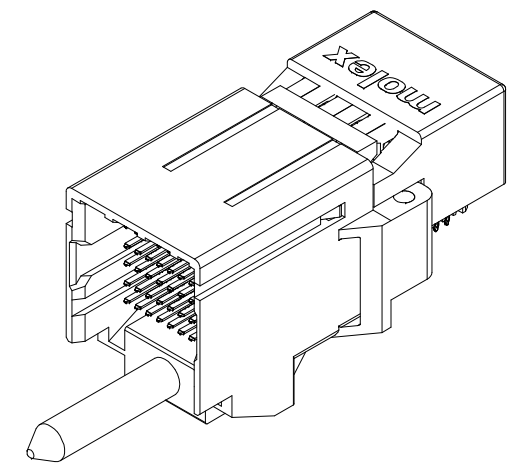
171573-96**

MODULE TYPE ——— 9 = BOTTOM GUIDED, TIN

OF COLUMNS ——— 6 = 6 COLUMN

PIN LENGTH (P)
 4 = 4.90 (0.46 PTH)
 5 = 5.50 (0.46 PTH)
 7 = 4.90 (0.39 PTH)
 8 = 5.50 (0.39 PTH)

MATE POSITION
 0 = 90 DEGREE
 3 = 270 DEGREE

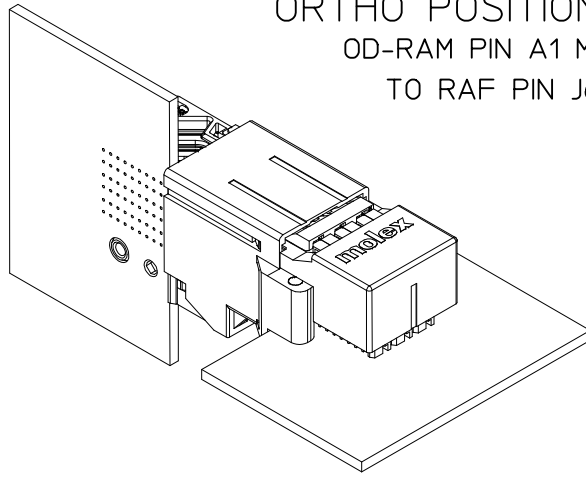


MATED DIMENSIONS
(POSITION 90° SHOWN)

- NOTES:
- MATERIALS: HOUSING - LIQUID CRYSTAL POLYMER (LCP)
GLASS-FILLED, UL94V-0
TERMINALS - HIGH PERFORMANCE COPPER ALLOY
 - FINISH: 30μ MIN GOLD IN CONTACT AREA.
SELECTIVE TIN ON PCB TAILS.
NICKEL OVERALL.
 - REFER TO MOLEX PRODUCT SPECIFICATION PS-76060-999 FOR PERFORMANCE SPECIFICATIONS AND ADDITIONAL PCB INFORMATION.
 - THIS PART CONFORMS TO CLASS B REQUIREMENTS OF COSMETIC SPEC PS-45499-002.
 - PACKAGE PER: PK-70873-8019.
 - SEE SHEETS 3 FOR ORTHOGONAL PIN MAPPING.
 - REFER TO SHEET 3 AND 4 FOR THE MATING RECEPTACLES.
 - REFER TO MOLEX ROUTING GUIDE AS-76850-990 FOR ADDITIONAL PCB LAYOUT AND ROUTING RECOMMENDATIONS.
 - CONNECTORS ARE SUPPLIED WITH TWO 2-32 THREAD FORMING SCREWS.
 - THESE DIMENSIONS REPRESENT THE AREA NEEDED TO ACCOMODATE CONNECTOR INSERTION AND REPAIR ON THE PC BOARD. THIS IS REFERRED TO AS THE "CONNECTOR KEEP OUT ZONE" AND DOES NOT REPRESENT THE ACTUAL PERIMETER OF THE CONNECTOR.
 - MARKING: LOCATED APPROXIMATELY AS SHOWN, ON BOTTOM OR TOP HOUSING. PART NUMBER AND DATE CODE.

SEE SHEET 1 EC NO: UCP2015-5544 DRWNB/JMILLER 2016/10/07 CHKD: APPR:TELO 2016/10/10	QUALITY SYMBOLS	GENERAL TOLERANCES (UNLESS SPECIFIED)	DIMENSION STYLE	SCALE	DESIGN UNITS	THIRD ANGLE PROJECTION
	▽=0	mm INCH	MM ONLY	3:1	METRIC	
	▽=0	4 PLACES ± --- ± ---	DRAWN BY DATE	TITLE		
		3 PLACES ± --- ± ---	JMENDOZA 2012/12/14	IMPACT ORTHOGONAL DIRECT		
	2 PLACES ± 0.13 ± ---	CHECKED BY DATE	3 PAIR RAM 90 & 270 ASSY			
	1 PLACE ± 0.25 ± ---	TELO 2012/12/14	BOTTOM GUIDED SALES DWG			
	ANGULAR ± 1/2°	APPROVED BY DATE	MOLEX MOLEX INCORPORATED			
		TELO 2013/12/26	SD-171573-0003			
	DRAFT WHERE APPLICABLE MUST REMAIN WITHIN DIMENSIONS	MATERIAL NO.	SHEET NO.			
		SEE CHART	2 OF 4			
		SIZE	THIS DRAWING CONTAINS INFORMATION THAT IS PROPRIETARY TO MOLEX INCORPORATED AND SHOULD NOT BE USED WITHOUT WRITTEN PERMISSION			

ORTHO POSITION 90°
OD-RAM PIN A1 MAPS
TO RAF PIN J6



REFER TO MOLEX SALES DRAWING SD-76860-004
FOR MATING RECEPTACLES.

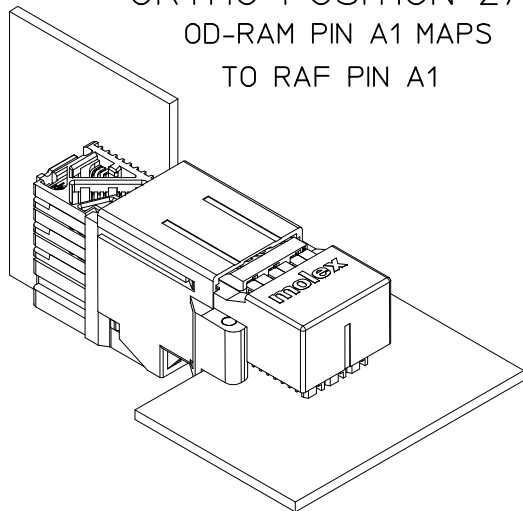
ORTHO PIN MAPPING					
OPTION 90 (NEARSIDE - FARSIDE)					
(A1-J6)	A2-H6	(A3-F6)	A4-E6	(A5-C6)	A6-B6
B1-J5	B2-G6	B3-F5	B4-D6	B5-C5	B6-A6
C1-H5	(C2-G5)	C3-E5	(C4-D5)	C5-B5	(C6-A5)
(D1-J4)	D2-H4	(D3-F4)	D4-E4	(D5-C4)	D6-B4
E1-J3	E2-G4	E3-F3	E4-D4	E5-C3	E6-A4
F1-H3	(F2-G3)	F3-E3	(F4-D3)	F5-B3	(F6-A3)
(G1-J2)	G2-H2	(G3-F2)	G4-E2	(G5-C2)	G6-B2
H1-J1	H2-G2	H3-F1	H4-D2	H5-C1	H6-A2
J1-H1	(J2-G1)	J3-E1	(J4-D1)	J5-B1	(J6-A1)

NOTE: PINOUTS SHOWN IN BALLOONS ARE GROUNDS.
GROUND PATHS ARE NOT DISCRETE CIRCUITS.

MATERIAL NUMBER	# OF COLUMNS	# OF DIFF PAIR	MATE POSITION	DIM P	PTH ϕ
171573-9604	6	18	90	4.90	0.46±0.05
171573-9605	6	18	90	5.50	0.46±0.05
171573-9607	6	18	90	4.90	0.39±0.05
171573-9608	6	18	90	5.50	0.39±0.05

SEE SHEET 1 EC NO: UCP2015-5544 DRWN: B. MILLER 2016/10/07 CHKD: APPR: TELO 2016/10/10	QUALITY SYMBOLS ▼=0 ▽=0	GENERAL TOLERANCES (UNLESS SPECIFIED)		DIMENSION STYLE MM ONLY	SCALE 2:1	DESIGN UNITS METRIC	THIRD ANGLE PROJECTION																
		<table border="1"> <tr> <th></th> <th>mm</th> <th>INCH</th> </tr> <tr> <td>4 PLACES</td> <td>± ---</td> <td>± ---</td> </tr> <tr> <td>3 PLACES</td> <td>± ---</td> <td>± ---</td> </tr> <tr> <td>2 PLACES</td> <td>± 0.13</td> <td>± ---</td> </tr> <tr> <td>1 PLACE</td> <td>± 0.25</td> <td>± ---</td> </tr> </table>			mm	INCH	4 PLACES	± ---	± ---	3 PLACES	± ---	± ---	2 PLACES	± 0.13	± ---	1 PLACE	± 0.25	± ---	DRAWN BY JMENDOZA		TITLE IMPACT ORTHOGONAL DIRECT 3 PAIR RAM 90 & 270 ASSY BOTTOM GUIDED SALES DWG		
			mm	INCH																			
		4 PLACES	± ---	± ---																			
3 PLACES	± ---	± ---																					
2 PLACES	± 0.13	± ---																					
1 PLACE	± 0.25	± ---																					
ANGULAR ±1/2°		CHECKED BY TELO		MATERIAL NO. SEE CHART																			
DRAFT WHERE APPLICABLE MUST REMAIN WITHIN DIMENSIONS		APPROVED BY TELO		DOCUMENT NO. SD-171573-0003		SHEET NO. 3 OF 4																	
THIS DRAWING CONTAINS INFORMATION THAT IS PROPRIETARY TO MOLEX INCORPORATED AND SHOULD NOT BE USED WITHOUT WRITTEN PERMISSION																							

ORTHO POSITION 270°
OD-RAM PIN A1 MAPS
TO RAF PIN A1



REFER TO MOLEX SALES DRAWING SD-76860-002
FOR MATING RECEPTACLES.

ORTHO PIN MAPPING					
OPTION 270 (NEAR SIDE - FAR SIDE)					
(A1-A1)	A2-B1	(A3-D1)	A4-E1	(A5-G1)	A6-H1
B1-A2	B2-C1	B3-D2	B4-F1	B5-G2	B6-J1
C1-B2	(C2-C2)	C3-E2	(C4-F2)	C5-H2	(C6-J2)
(D1-A3)	D2-B3	(D3-D3)	D4-E3	(D5-G3)	D6-H3
E1-A4	E2-C3	E3-D4	E4-F3	E5-G4	E6-J3
F1-B4	(F2-C4)	F3-E4	(F4-F4)	F5-H4	(F6-J4)
(G1-A5)	G2-B5	(G3-D5)	G4-E5	(G5-G5)	G6-H5
H1-A6	H2-C5	H3-D6	H4-F5	H5-G6	H6-J5
J1-B6	(J2-C6)	J3-E6	(J4-F6)	J5-H6	(J6-J6)

NOTE: PINOUTS SHOWN IN BALLOONS ARE GROUNDS.
GROUND PATHS ARE NOT DISCRETE CIRCUITS.

MATERIAL NUMBER	# OF COLUMNS	# OF DIFF PAIR	MATE POSITION	DIM P	PTH ϕ
171573-9634	6	18	270	4.90	0.46±0.05
171573-9635	6	18	270	5.50	0.46±0.05
171573-9637	6	18	270	4.90	0.39±0.05
171573-9638	6	18	270	5.50	0.39±0.05

SEE SHEET 1 EC NO: UCP2015-5544 DRAWN: MILLER 2016/10/07 CHKD: APPR: TELO 2016/10/10	QUALITY SYMBOLS	GENERAL TOLERANCES (UNLESS SPECIFIED)	DIMENSION STYLE	SCALE	DESIGN UNITS	THIRD ANGLE PROJECTION																		
	$\nabla = 0$ $\nabla = 0$ $\nabla = 0$	<table border="1"> <tr> <th></th> <th>mm</th> <th>INCH</th> </tr> <tr> <td>4 PLACES</td> <td>± ---</td> <td>± ---</td> </tr> <tr> <td>3 PLACES</td> <td>± ---</td> <td>± ---</td> </tr> <tr> <td>2 PLACES</td> <td>± 0.13</td> <td>± ---</td> </tr> <tr> <td>1 PLACE</td> <td>± 0.25</td> <td>± ---</td> </tr> <tr> <td>0 PLACE</td> <td>±</td> <td>±</td> </tr> </table>		mm	INCH	4 PLACES	± ---	± ---	3 PLACES	± ---	± ---	2 PLACES	± 0.13	± ---	1 PLACE	± 0.25	± ---	0 PLACE	±	±	MM ONLY	2:1	METRIC	
		mm	INCH																					
	4 PLACES	± ---	± ---																					
3 PLACES	± ---	± ---																						
2 PLACES	± 0.13	± ---																						
1 PLACE	± 0.25	± ---																						
0 PLACE	±	±																						
REV	DESCRIPTION	ANGULAR ±1/2° DRAFT WHERE APPLICABLE MUST REMAIN WITHIN DIMENSIONS	DRAWN BY: JMENDOZA DATE: 2012/12/14 CHECKED BY: TELO DATE: 2012/12/14 APPROVED BY: TELO DATE: 2013/12/26	TITLE	IMPACT ORTHOGONAL DIRECT 3 PAIR RAM 90 & 270 ASSY BOTTOM GUIDED SALES DWG	MATERIAL NO. SEE CHART																		
					DOCUMENT NO. SD-171573-0003	SHEET NO. 4 OF 4																		