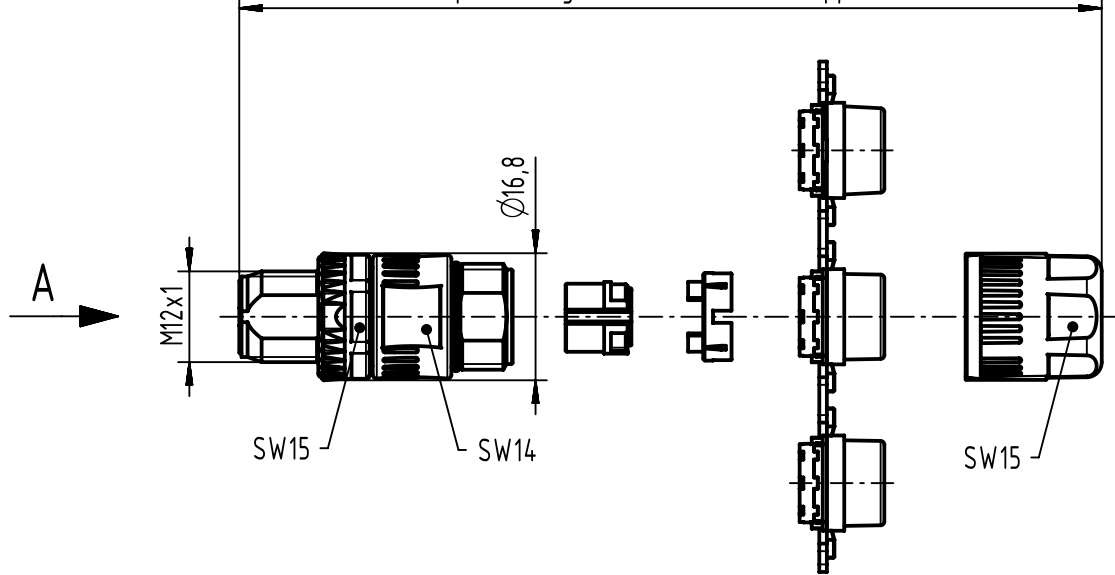


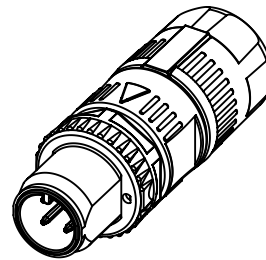
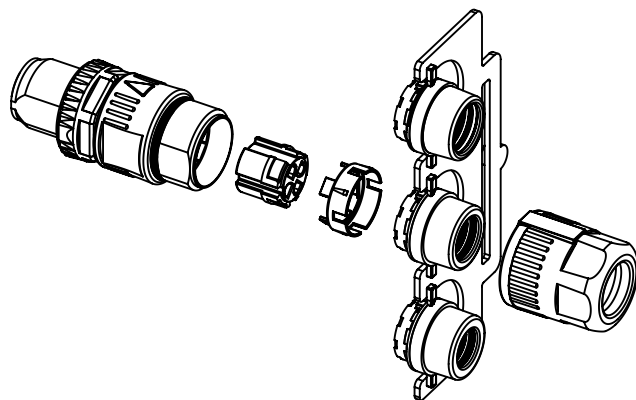
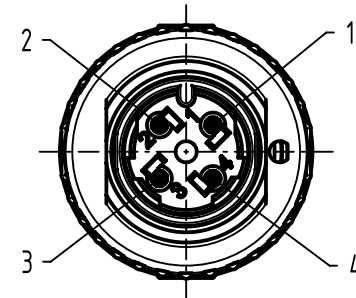
1 2 3 4 5 6

complete length when assembled app. 46mm




A (2:1)

contact face acc. to
IEC 61076-2-101



conductor cross section	AWG22
cable outside diameter	5.7 - 8.8mm

	All rights reserved Department EC PD - DE	All Dimensions in mm Original Size DIN A4			Scale 1:1	Free size tol.	Ref. Sub. TB 21033221400 / 500000126041 / 2017-09-28	
		Created by BUSSMANTT	Inspected by GENAU	Standardisation HOFFMANN	Date 2018-01-18	State Final Release	Title M12-SD-CC-IDC-4P-ACOD-M-STR-SHLD	
HARTING Electronics GmbH D-32339 Espelkamp		Type TB	Number 21033221400			Rev. E	Page 1/1	