

# BOLT-DOWN FUSE HOLDERS FOR MEGA® STYLE FUSE

RoHS



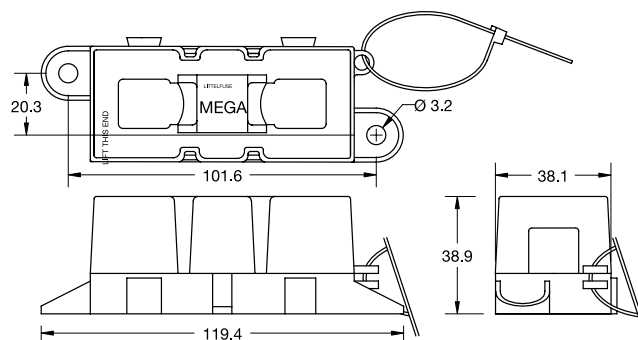
## Description

Use with MEGA® fuses up to 500A. Ideal for battery and alternator connections and other heavy gauge cables requiring ultra high current protection. Includes protective cover. Features interconnecting pins on side of fuse block for secure multiple block configurations. Includes M8 threaded studs and hex nuts with lock washers. Fuse not included.

## Dimensions

Dimensions in mm

M8 torque: 12-18Nm



## Ratings

Part Number	Description	Fuse Rating
02981001ZXT	160 pcs.	500 A

Corresponding fuses see Section "Bolt-Down Fuses."

# SPLASH RESISTANT FUSE HOLDER

for MEGA® Style Bolt-Down Fuse



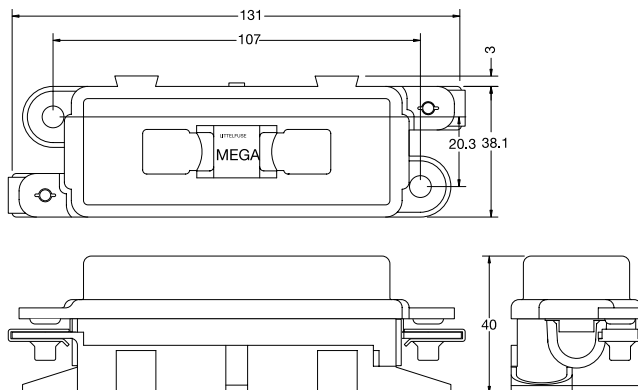
## Description

For use with MEGA® fuses the holder offers splash-resistant protection for use in harsh environments.

## Dimensions

Dimensions in mm

M8 torque: 12-18Nm



## Ratings

Part Number	Description	Fuse Rating
298907-030	Holder	250 A
298907-040	Cover	-

Corresponding fuses see Section "Bolt-Down Fuses."