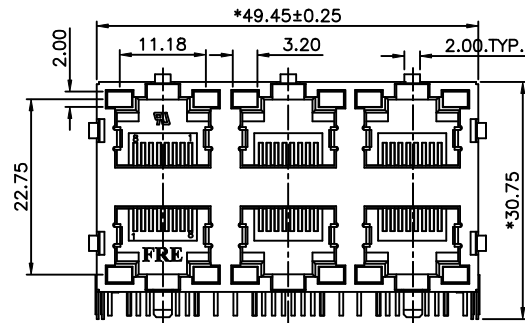
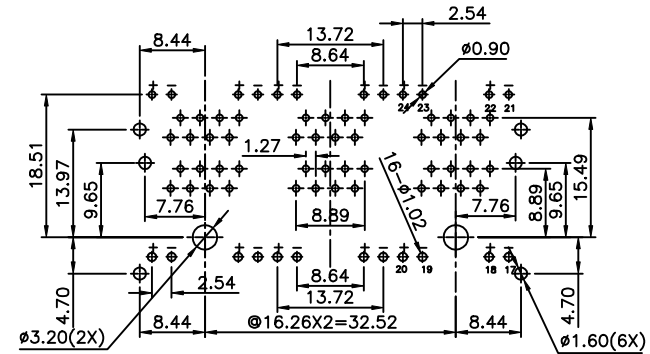
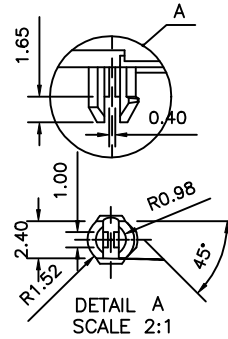
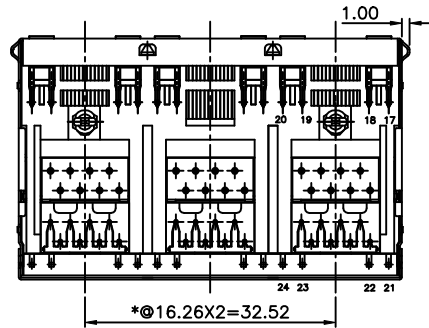
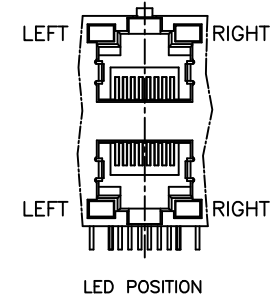
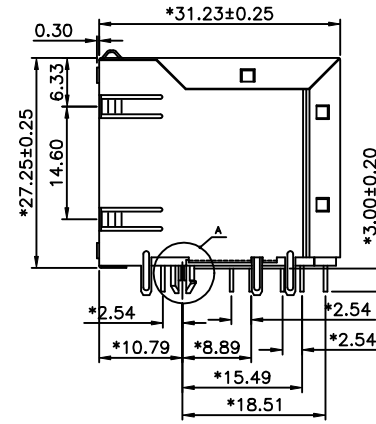


REVISION RECORD				
REV	ECO	DESCRIPTION	DRFT	CHKD



GREEN GREEN
 12 10 10 10
 RED RED
 GREEN GREEN
 12 10 10 10
 RED RED
 FOR P/N: E5J88-D4BHFx-L



PC Board Layout
 Component Side Shown

NOTES:

ELECTRICAL:

- VOLTAGE RATING : 125 VAC RMS.
- CURRENT RATING : 1.5 AMP.
- CONTACT RESISTANCE : 35 MILLIOHMS MAX.
- INSULATION RESISTANCE: 1000 MEGOHMS MIN @ 500 VDC.
- DIELECTRIC STRENGTH : 1000 VAC RMS 60HZ, 1MIN.

MECHANICAL:

- HOUSING MATERIAL : PBT+30%G.F UL94V-0.
- CONTACT MATERIAL : PHOSPHOR BRONZE Ø0.46mm
- CONTACT PLATING : GOLD PLATING OVER NICKLE
- SHIELD PLATING : NICKEL PLATING OVER BRASS
- OPERATING LIFE : 750 CYCLES MIN.
- PCB RETENTION PRE-SOLDER : 1 LB MIN.
- PCB RETENTION POST-SOLDER: 10 LBS MIN.
- LED COLOR : GREEN

ENVIRONMENTAL:

- STORAGE : -40°C TO +85°C.
- OPERATION: -40°C TO +85°C.
- WAVE SOLDERING TEMPERATURE: 230~250°(3~5 SECONDS)

MATES WITH MODULAR PLUG CONFORMING TO
 FCC PART 68, SUBPART F.

RoHS PART NUMBER: E5J88-X4B2FX-L

- A-LEFT LED:G RIGHT LED:G Gold Thickness:
 B-LEFT LED:G RIGHT LED:O 1- 3u" 2- 6u" 3-15u"
 C-LEFT LED:G RIGHT LED:Y 4-30u" 5-50u"
 D-LEFT LED:G+R RIGHT LED:G+R

DETACHED LISTS	MM (INCH)	DFTO Jake	DATE 10/19/05'
	TOLERANCES EXCEPT AS NOTED	CHKD ANNE	DATE 2005/10/20
		MFO	DATE
		APPVL LUBENGO	DATE 2005/10/20
MM	±	MATERIAL :	
.0 ±0.20	±	QT'Y :	
.00 ±0.15	±	FINISH :	
.00 ±0.075	±	SCALE : 5:3	
ANGLES ±		DO NOT SCALE DRAWING	
THIRD ANGLE PROJECTION		SHEET 1	OF 1

FULL RISE ELECTRONIC CO., LTD			
TITLE RJ45(LED) STACKED GANGED JACK, 2X3			
DRAWING NO. GE5J3035-LC		SIZE A3	REV 0
/PART NO. SEE NOTE		10/19/05'	