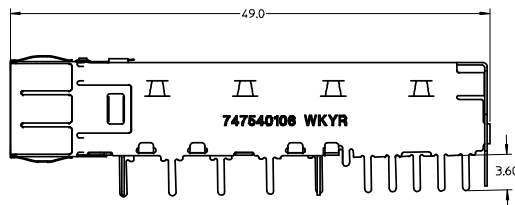
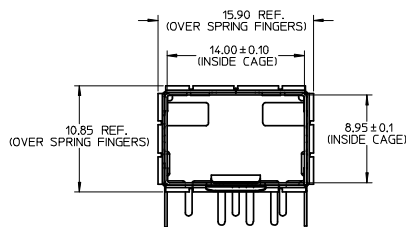


EMI SPRING FINGER



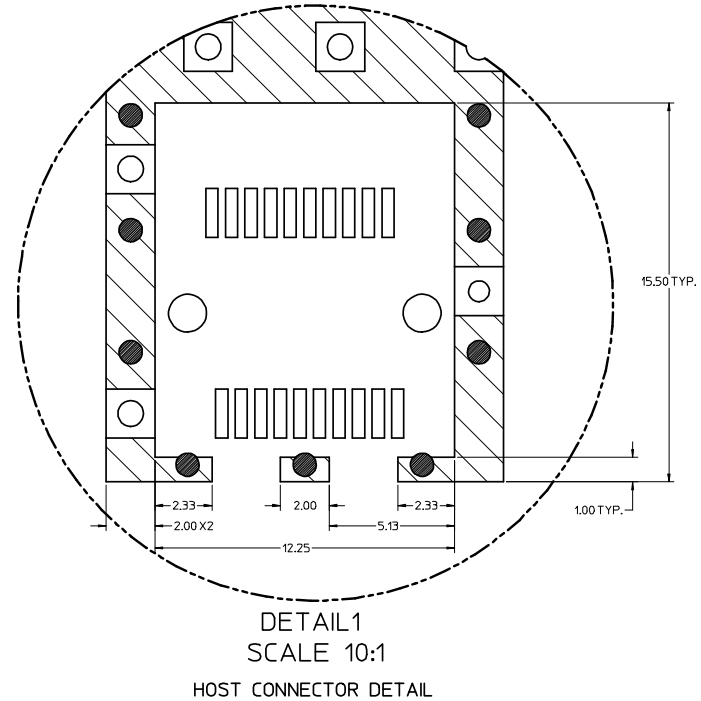
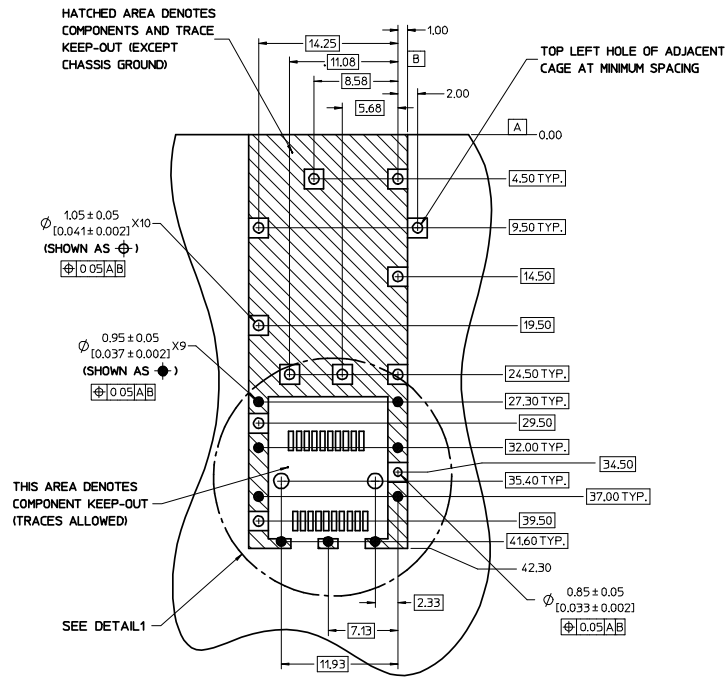
NOTES:

1. MATERIAL:
CAGE: NICKEL PLATED COPPER ALLOY, THICKNESS 0.25mm
SPRING FINGER: NICKEL PLATED COPPER ALLOY, THICKNESS 0.10mm
2. PRESS FIT LEGS 3.60 LONG -
1.57 MINIMUM PCB THICKNESS FOR SINGLE SIDED USE
INSERTION FORCE INTO PCB <50 LBS
3. PORTS ARE DESIGNED FOR SFP+ TRANSCEIVERS AND ARE BACKWARDS COMPATIBLE WITH SFP TRANSCEIVERS
4. THIS PART MEETS THE RESTRICTION OF HAZARDOUS SUBSTANCES IN ELECTRICAL AND ELECTRONIC EQUIPMENT (ROHS) DIRECTIVE (2002/95/EC)

REVISED E.C. NO. USY2008-0491 DRAWN: LERMIN 2008/07/10 CHKD: KELLOYD 2008/07/10 APPR: K. JANOTA 2008/07/22	QUALITY SYMBOLS ▽=0 ▽=0	GENERAL TOLERANCES (UNLESS SPECIFIED)		DIMENSION STYLE MM ONLY	SCALE 4:1	DESIGN UNITS METRIC	THIRD ANGLE PROJECTION		
		4 PLACES ± --- ± ---	3 PLACES ± --- ± ---	2 PLACES ± 0.15 ± ---	1 PLACE ± 0.25 ± ---	DRAWN BY PSYTSMA	DATE 2007/05/24	TITLE SFP+ 1X1 PCI CAGE W/SPRING FINGERS SOLDER POST	
		ANGULAR ± 1°				APPROVED BY BRUSSELL	DATE 2007/05/24	MOLEX INCORPORATED	
		DRAFT WHERE APPLICABLE MUST REMAIN WITHIN DIMENSIONS		MATERIAL NO. 747540106	DOCUMENT NO. SD-74754-0106	SHEET NO. 1 OF 3			

THIS DRAWING CONTAINS INFORMATION THAT IS PROPRIETARY TO MOLEX INCORPORATED AND SHOULD NOT BE USED WITHOUT WRITTEN PERMISSION

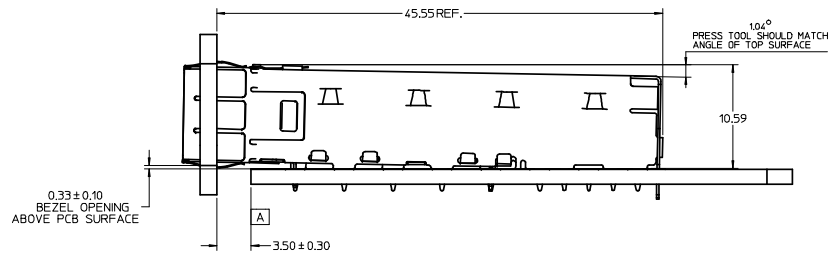
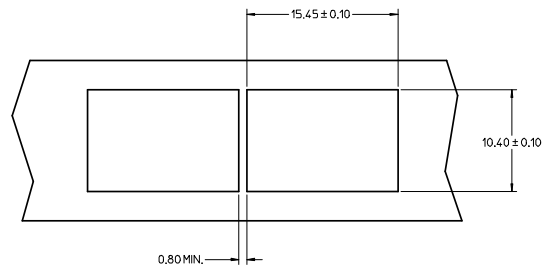
PCB LAYOUT FOR SINGLE SIDE MOUNT



- NOTES:**
1. PADS AND VIAS CONNECT TO CHASSIS GROUND (RECOMMEND PADS TO BE 2.00mm SQUARE)
 2. RECOMMENDED THRU HOLE PLATING INCLUDES HASL, OSP, OR IMMERSION (GOLD, SILVER, OR TIN).
 3. CONNECTOR PAD LAYOUT PER SFP+ MSA WILL ACCOMMODATE MOLEX CONNECTOR SERIES 74441 OR EQUIVALENT.

REVISED EC NO: USY2006-0491 DRAWN: ERWIN 2008/07/10 CHKD: KULLOYD 2008/07/10 APPR: K JANOTA 2008/07/22	QUALITY SYMBOLS ▽=0 ▽=0	GENERAL TOLERANCES (UNLESS SPECIFIED) DIMENSION STYLE MM ONLY	SCALE 4:1	DESIGN UNITS METRIC	THIRD ANGLE PROJECTION
	DRAFT WHERE APPLICABLE MUST REMAIN WITHIN DIMENSIONS	DRIVEN BY DATE PSYTSMA 2007/05/24 CHECKED BY DATE BRUSSELL 2007/05/24 APPROVED BY DATE BRUSSELL 2007/05/24	TITLE SFP+ 1X1 PCI CAGE W/SPRING FINGERS SOLDER POST	MOLEX INCORPORATED	
MATERIAL NO. 747540106	DOCUMENT NO. SD-74754-0106	THIS DRAWING CONTAINS INFORMATION THAT IS PROPRIETARY TO MOLEX INCORPORATED AND SHOULD NOT BE USED WITHOUT WRITTEN PERMISSION			

BEZEL AND BOARD POSITION DIMENSIONS FOR SINGLE SIDE MOUNTING
(SPRING FINGER)



REVISED EEC NO: USY2008-0491 DRAWN: LERMIN 2008/07/10 CHKD: K LLOYD 2008/07/10 APPR: K JANOTA 2008/07/22	QUALITY SYMBOLS	GENERAL TOLERANCES (UNLESS SPECIFIED)	DIMENSION STYLE	SCALE	DESIGN UNITS	THIRD ANGLE PROJECTION
	▼=0 ▽=0	mm INCH 4 PLACES ± --- ± --- 3 PLACES ± --- ± --- 2 PLACES ± 0.15 ± --- 1 PLACE ± 0.25 ± --- ANGULAR ± 1°	MM ONLY	4:1	METRIC	DRAWN BY DATE PSYTSMA 2007/05/24 CHECKED BY DATE BRUSSELL 2007/05/24 APPROVED BY DATE BRUSSELL 2007/05/24
	DESCRIPTION	DRAFT WHERE APPLICABLE MUST REMAIN WITHIN DIMENSIONS	MATERIAL NO.	DOCUMENT NO.	SFP+ 1X1 PCI CAGE W/SPRING FINGERS SOLDER POST MOLEX INCORPORATED	
			747540106	SD-74754-0106	SHEET NO. 3 OF 3	