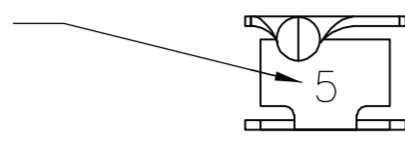


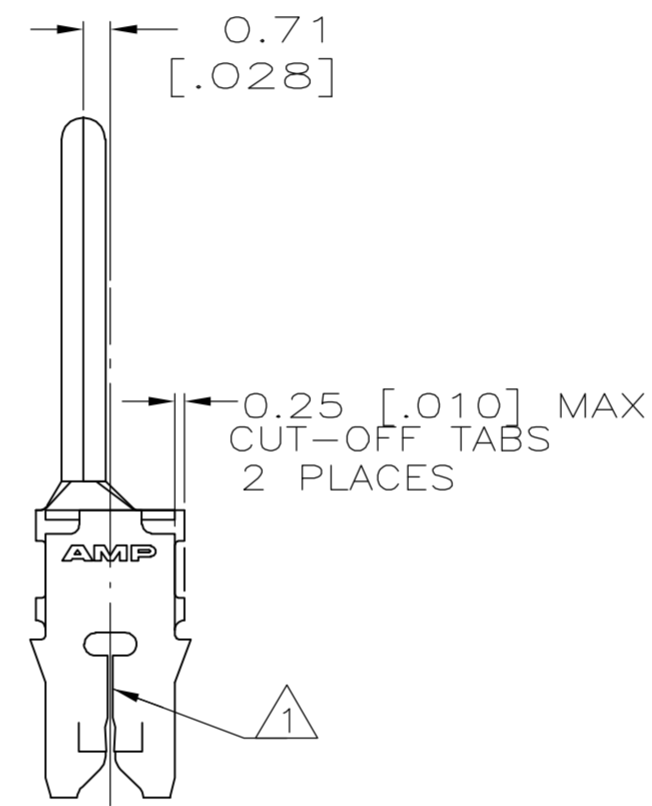
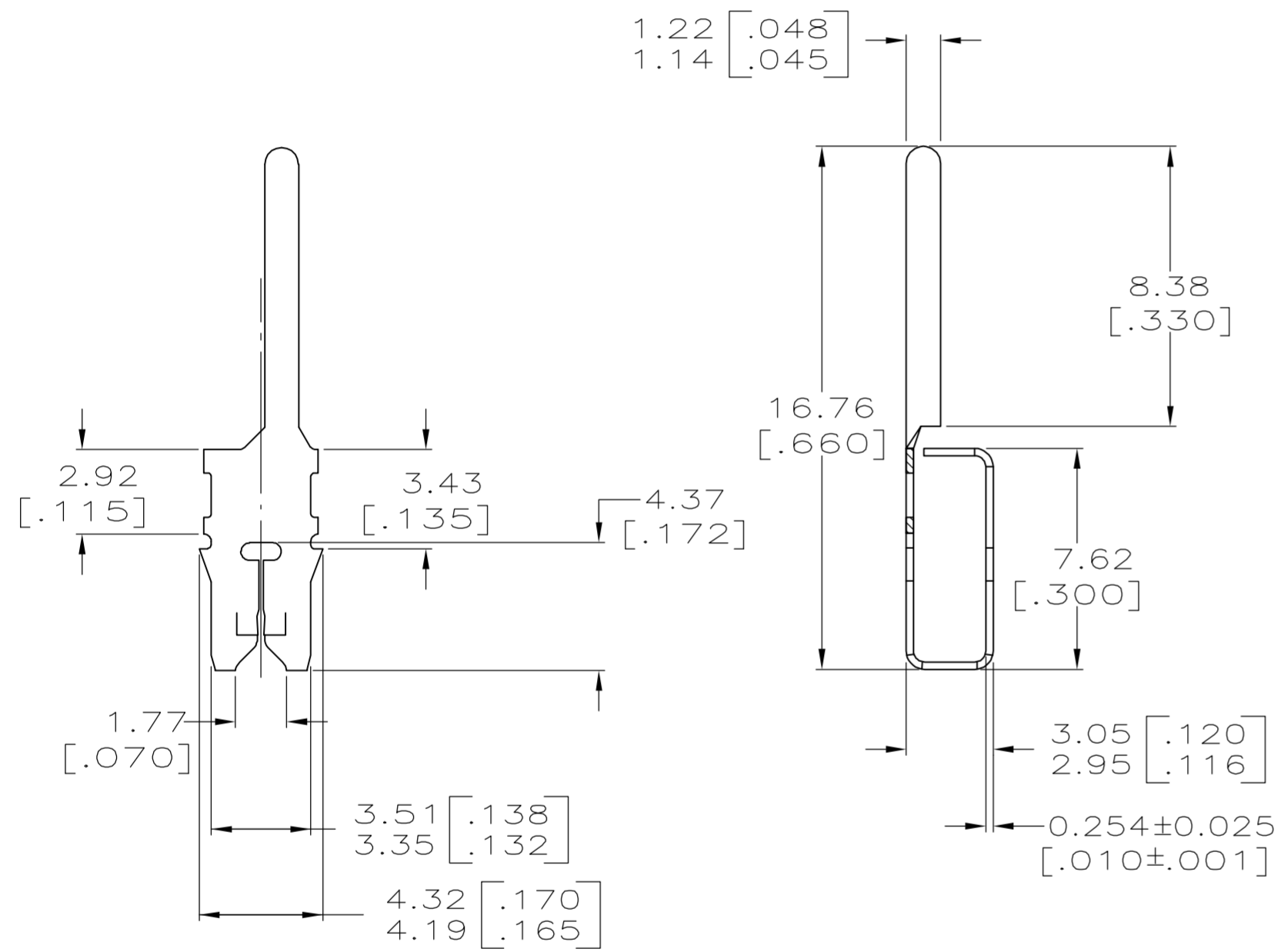
THIS DRAWING IS UNPUBLISHED. RELEASED FOR PUBLICATION
 © COPYRIGHT BY TYCO ELECTRONICS CORPORATION. ALL RIGHTS RESERVED.

LOC	DIST	REVISIONS			
P	LTR	DESCRIPTION	DATE	DWN	APVD
AF	50	C	REV PER ECR 05-010705	03NOV05	JR KR

IDENTIFICATION NUMBER FOR
MAGNET WIRE RANGE



- ① SLOT TERMINATES EITHER SINGLE OR DOUBLE COPPER MAGNET WIRES OF THE SAME SIZE, 0.23-0.32mm [#31-#28] AWG.
- ② 0.002032 - 0.00381 [.000080-.000150] TIN PLATE PER MIL-T-10727



63879-1
PART NO.

THIS DRAWING IS A CONTROLLED DOCUMENT.		DWN 11/OCT/95 MICHAEL S. FEHER	Tyco Electronics Corporation Harrisburg, PA 17105-3608	
TERMINATIONS		CHK 16/OCT/95 RICHARD GRZYBOWSKI		
DIMENSIONS		APVD 16/OCT/95 TL SHUTTER	NAME	
INCHES		PRODUCT SPEC 108-2012	PIN, LOOSE PIECE, 1.22 [.048] DIA, LEFT HAND, MAG-MATE	
TOLERANCES UNLESS OTHERWISE SPECIFIED:		APPLICATION SPEC 114-2046	SIZE	RESTRICTED TO
0 PLC ± -	1 PLC ± -	WEIGHT -	A2	-
2 PLC ± 0.15 [.006]	3 PLC ± -	CAGE CODE 00779		DRAWING NO
4 PLC ± -	ANGLES ± -	SCALE 5:1		SHEET 1 of 1
FINISH ②	CUSTOMER DRAWING		REV C	