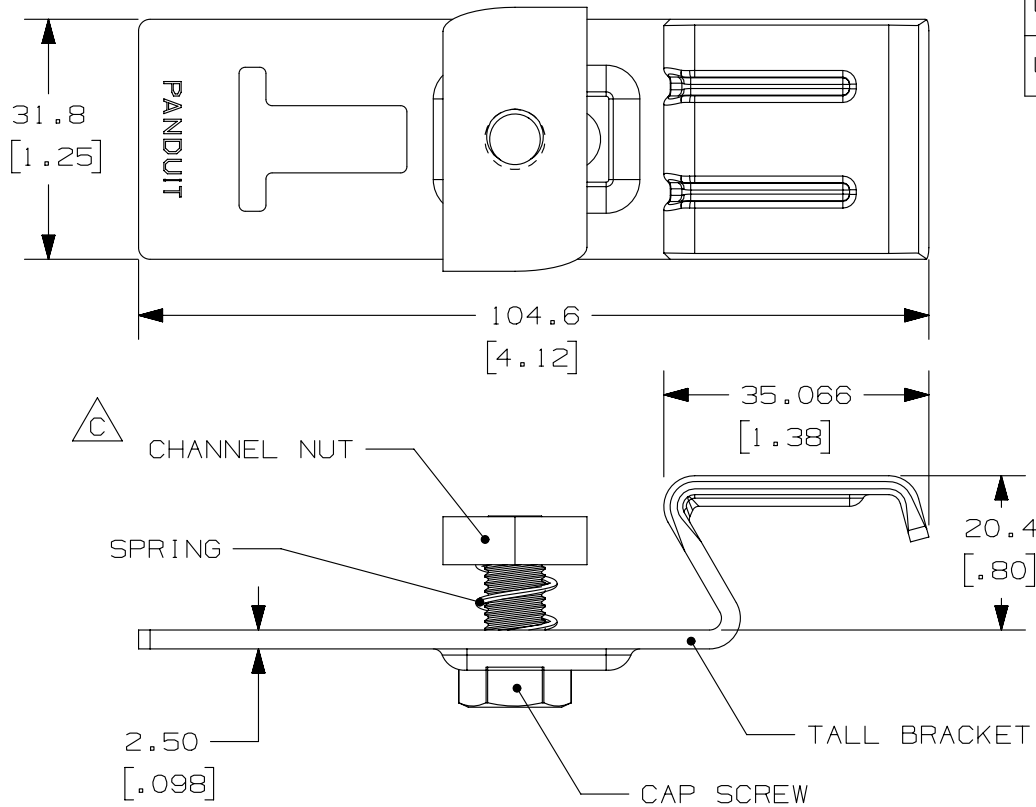


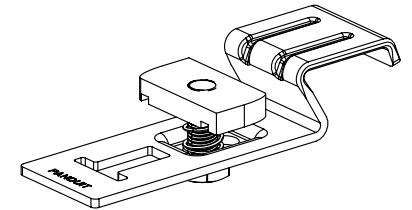
THIS COPY IS PROVIDED ON A RESTRICTED BASIS AND IS NOT TO BE USED IN ANY WAY DETRIMENTAL TO THE INTERESTS OF PANDUIT CORP.



PANDUIT P/N	MATERIAL / FINISH	WEIGHT / PC
UCSQ1-V316	316 STAINLESS STEEL	112.0 g (.247 lbs)
UCSQ1-VC	COMMERCIAL STEEL / GALVANIZED	113.5 g (.250 lbs)

NOTES:

1. PRIMARY DIMENSIONS IN METRIC (mm). DIMENSIONS IN [] ARE ENGLISH [in].
2. THIS PRODUCT INTENDED FOR USE WITH STRUT-TYPE LADDER RACK IN GALVANIZED STEEL, STAINLESS STEEL, OR ALUMINUM CONSTRUCTIONS.
3. EACH ASSEMBLY INCLUDES:
 (1) TALL BRACKET PIECE
 (1) CHANNEL NUT
 (1) M8 X 1.25 X 20mm HEX HEAD CAP SCREW
 (1) COMPRESSION SPRING



REV	DATE	BY	CHK	APR	DESCRIPTION	ECN
2	07-22-14	JBN	RMHI	RGRO	C. REVISED COMPONENT CHANNEL NUT AFFECTING NOTE 3 AND PART WEIGHT	12L025AT-DC
-	-----	----	----	----	RELEASED TO PRODUCTION	-----
1	06-17-14	RMHI	RMHI	RGRO	B. UPDATED WEIGHTS IN TABLE A. REVISED TITLE	12L025AT-DC
R	04-30-14	JBN	RMHI		DRAWING RELEASED	

TITLE		UNICLIP STRUT-TYPE BRACKET UCSQ1		CUSTOMER DRAWING	
ITEM REVISION NAME		12L025AT/04		PANDUIT	
DATASET FILE NAME		12L025AT_DC/04A			
UNLESS OTHERWISE SPECIFIED, DIMENSIONAL TOLERANCES ARE: IN [mm]				MATERIAL:	
.x ± .3 [.01]		.xxx ± .127 [.005]		SEE CHART	
.xx ± .25 [.010]		ANGLES ± 5°		DRAWING NUMBER:	
THIRD ANGLE PROJECTION		SCALE		12L025AT-DC	
DRAWN BY	DATE	CHK	SCALE	SHT 1 OF 1	
JBN	04-23-14	RMHI	N.T.S.	A	