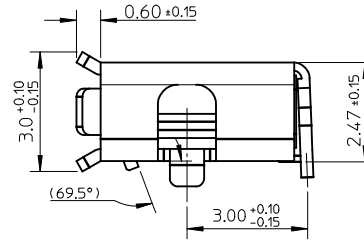
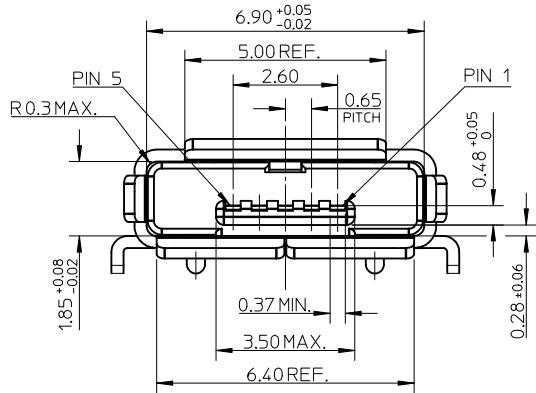
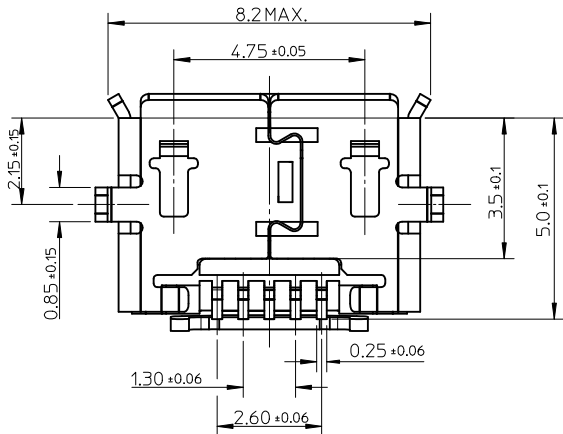
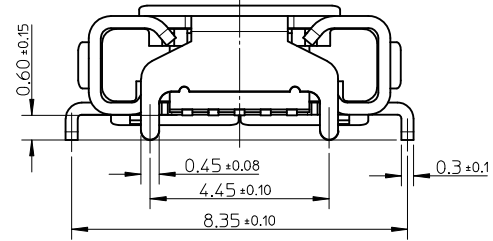


RECOMMENDED P.C.B. PATTERN LAYOUT



NOTE :

- MATERIAL :  
HOUSING : LCP, BLACK, UL94V-0  
TERMINAL : COPPER ALLOY THICKNESS = 0.15 MM  
SHIELD CASE : STAINLESS STEEL THICKNESS = 0.30 MM
- PLATING :  
TERMINAL: CONTACT AREA : GOLD FLASH (0.11 MICRON MIN.) OVER MINIMUM 0.75 MICRON Pd/Ni.  
SOLDER TAIL AREA : GOLD FLASH (0.05 MICRON MIN.).  
UNDER PLATING : NICKEL 2.0 MICROMN MINIMUM.  
SHIELD : MATTE TIN 1.27 MICRON MINIMUM.  
UNDER PLATING : NICKEL 1.27 MICRON MINIMUM.
- TAIL COPLANARITY 0.08 MM MAXIMUM.
- COMPLIANT TO RoHS DIRECTIVE 2002/95/EC AND ELV IDRECTIVE 2000/53/EC.



REVISE EC NO: SH2011-0342 DRWN: XJSONG CHKD: APPR: RZHANG	QUALITY SYMBOLS F <sub>A</sub> = 0 F <sub>C</sub> = 0 F <sub>P</sub> = 0	GENERAL TOLERANCES (UNLESS SPECIFIED)		DIMENSION STYLE MM ONLY		SCALE 1:1	DESIGN UNITS METRIC	THIRD ANGLE PROJECTION		
			mm	INCH	DRAWN BY XJSONG	DATE 2007/03/15	TITLE MICRO USB AB REC. TOP MOUNT ASS'Y	MOLEX INCORPORATED		
		4 PLACES	± ---	± ---	CHECKED BY JTIAN	DATE 2007/03/15				
		3 PLACES	± ---	± ---	APPROVED BY JNCHEN	DATE 2007/03/15				
B2	REV	DRAFT WHERE APPLICABLE MUST REMAIN WITHIN DIMENSIONS		MATERIAL NO. 47590-0001	DOCUMENT NO. SD-47590-001	SHEET NO. 1 OF 1	THIS DRAWING CONTAINS INFORMATION THAT IS PROPRIETARY TO MOLEX INCORPORATED AND SHOULD NOT BE USED WITHOUT WRITTEN PERMISSION			