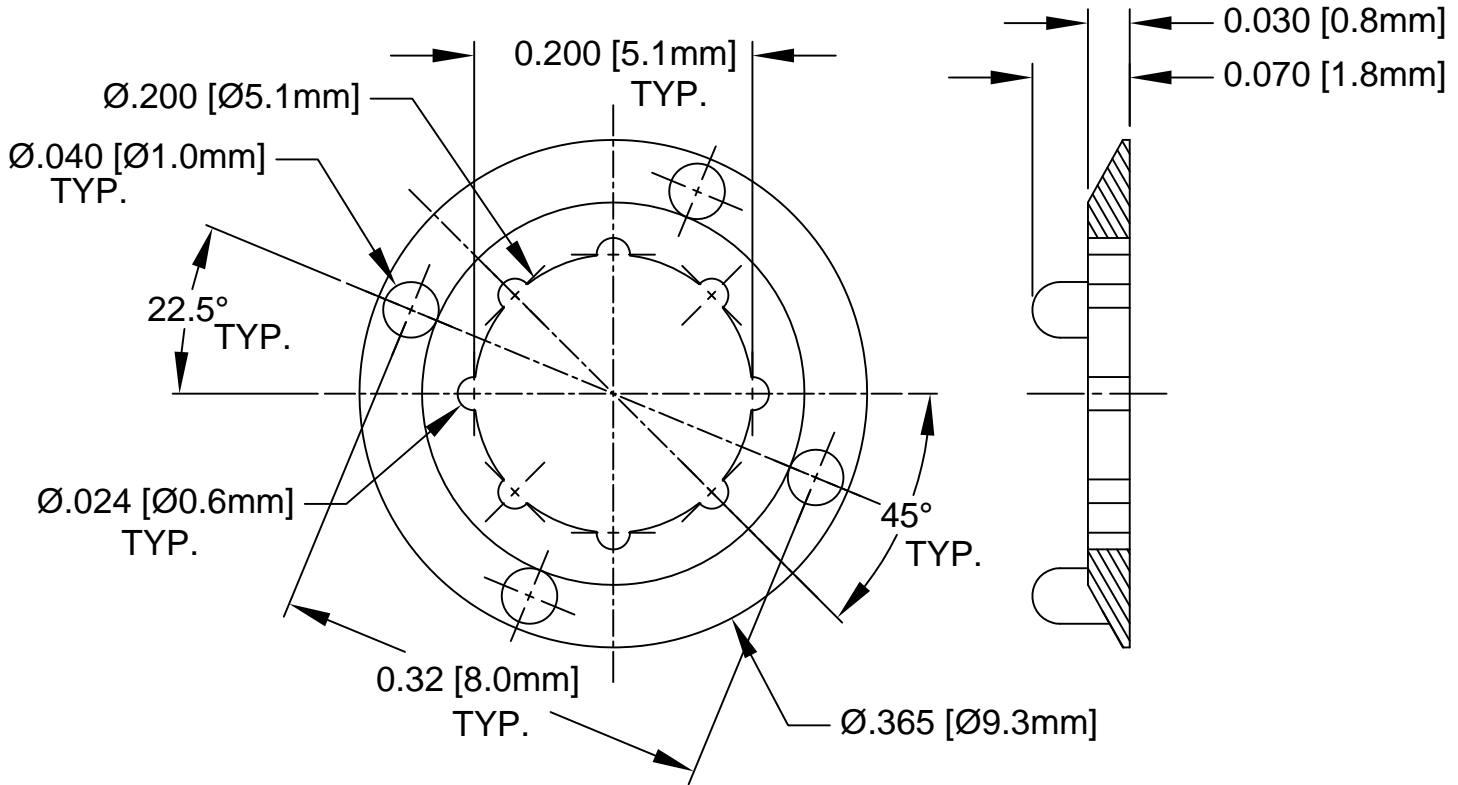

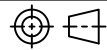


REV.	DESCRIPTION	DATE	APPROVED
A	Engineering Update w/o Changes	02/23/04	M. C.
B	Removed Material Code	05/23/16	J. C.



- 2. MATERIAL: NYLON 6/6, 94V-2, WHITE.
- 1. GENERAL SPECIFICATIONS: BIVAR MOLDED COMPONENT SPECIFICATION BV00-E101.

STANDARD TOLERANCE (UNLESS OTHERWISE SPECIFIED)		 4 THOMAS, IRVINE, CA. 92618 TEL: (949) 951-8808 FAX: (949) 951-3974	
DECIMALS	ANGULAR		
.X ±.1	X° ± 1°		TITLE: PERM-O-PAD TO-5 AND IC MOUNT
.XX ±.01			PART NO: 616-070
.XXX ±.005			REVISION: B
DESIGNED: S. Irving	DATE: 11/09/99	CAGE CODE : 32559	SHEET # 1 OF 1
CHECKED: D. Green	DATE: 02/23/04	CAD GENERATED DOCUMENT. DO NOT MEASURE DRAWING.	