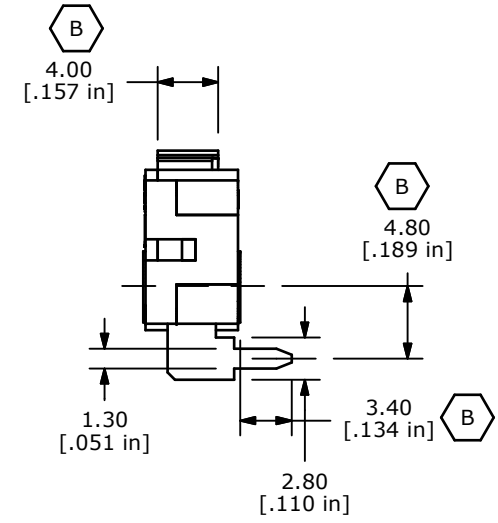
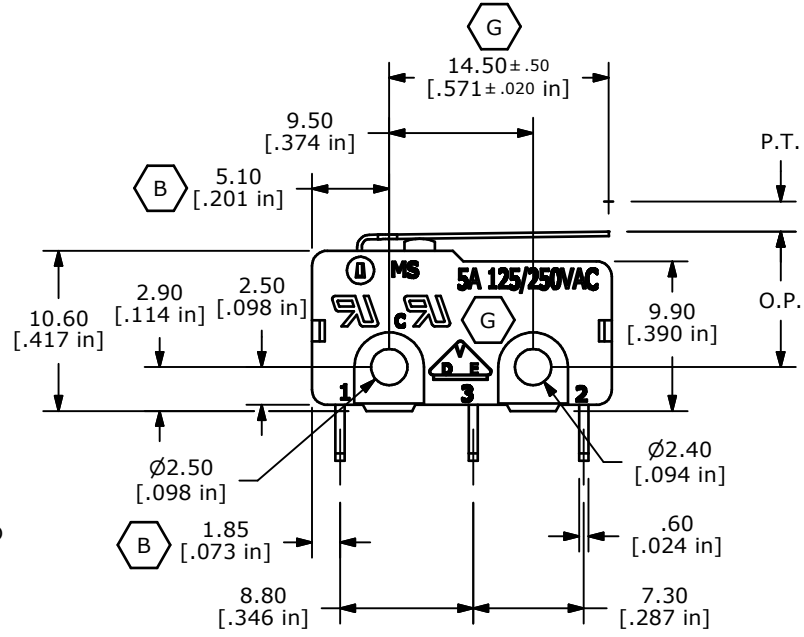
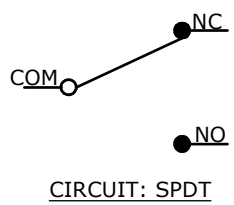


ISOMETRIC

O.P. (MM)	P.T. (MM)
9.1 ±0.8	3.6 MAX

O.P. = OPERATING POINT
P.T. = PRE-TRAVEL



- NOTES:
1. ALL DIMENSIONS IN MM [INCH]
 2. GENERAL TOLERANCE: X.X=±0.4
X.XX=±0.25
 3. RATING: 5A @125/250VAC UL, CUL, VDE APPROVED
 - ▲ 4. OPERATING FORCE: 45±20 GRAMS
 5. OPERATING TEMP: -25°C TO 85°C
 6. ELECTRICAL LIFE: 50,000 CYCLES MIN.
 7. MECHANICAL LIFE: 1,000,000 CYCLES TYP.
 8. INSULATION RESISTANCE: 100 MEGA-OHMS
 9. DIELECTRIC STRENGTH: 1000VAC 1 MINUTE (INITIAL VALUE)
 10. CONTACT RESISTANCE: 100 MILLI-OHMS MAX.
 11. ▲ DENOTES CRITICAL PARAMETER.
 12. 2002/95/EC (ROHS) COMPLIANT

REV	PCR NO	DESCRIPTION	DATE	BY
H	15686	EDIT LIFE CYCLES	1/17/06	PH
G	15643	CHANGES NOTED	12/29/05	PH
F	15283	P.C. MOUNT DIM, ROHS NOTE	9/15/05	PH
D	15047	ADDED P.C. MOUNTING DIAGRAM	6/30/05	JB
C	14950	REORDERED DIMENSIONS	5/24/05	JB



TITLE MS0850501F045V1A

SCALE	DATE	DR	DWG	REV
2:1	3/25/2005	AR	Q970010	H

THE INFORMATION CONTAINED IN THIS DOCUMENT IS PROPRIETARY TO E-SWITCH AND IS NOT TO BE COPIED OR TRANSFERRED