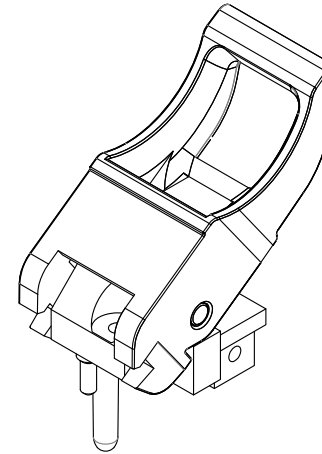
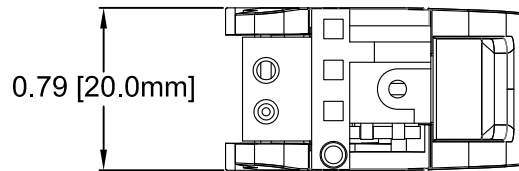
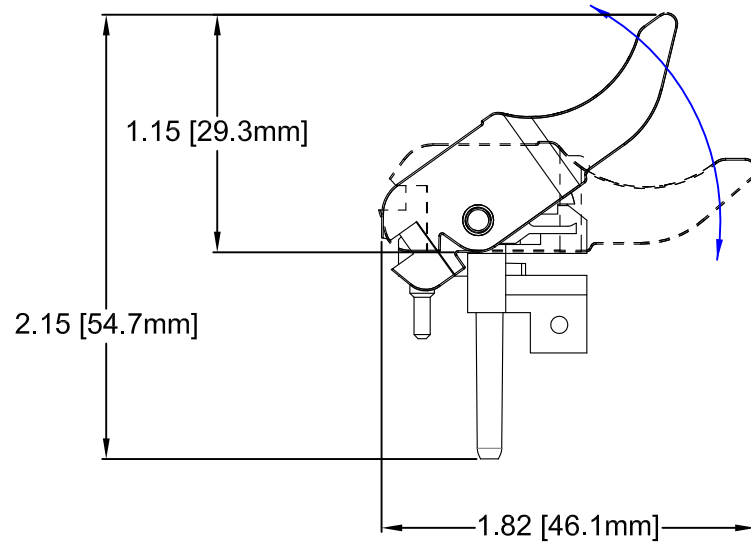
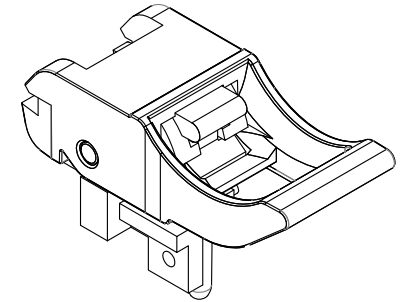


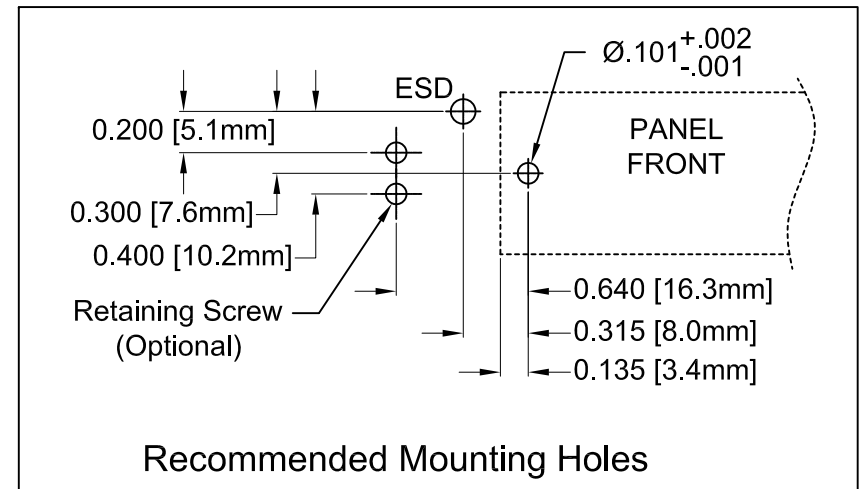
REV.	DESCRIPTION	DATE	APPROVED
A	Engineering Release.	06/26/14	J. C.



3D VIEW OPEN


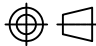


3D VIEW LOCKED



NOTES:

1. Compliant with PICMG CPCI standard
2. Mounting screws shipped unassembled

STANDARD TOLERANCE (UNLESS OTHERWISE SPECIFIED)		 <b>BIVAR</b> <sup>®</sup> 4 THOMAS, IRVINE, CA, 92618 TEL: (949) 951-8808 FAX: (949) 951-3974					
DECIMALS	ANGULAR						
.X ± .1	X° ± 1°		<b>TITLE:</b> CPCI EJECTOR HANDLE TOP, STYLE E5				
.XX ± .01				<b>DESIGNED:</b> <b>Brian Oliver</b>	<b>DATE:</b> <b>06/26/14</b>	<b>PART NO:</b> <b>CPCI-E5-T</b>	<b>REVISION:</b> <b>A</b>
.XXX ± .005				<b>CHECKED:</b> <b>A. Wright</b>	<b>DATE:</b> <b>06/26/14</b>	<b>CAGE CODE :</b> 32559	<b>SHEET #</b> 1 <b>OF</b> 1
CAD GENERATED DOCUMENT, DO NOT MEASURE DRAWING.							