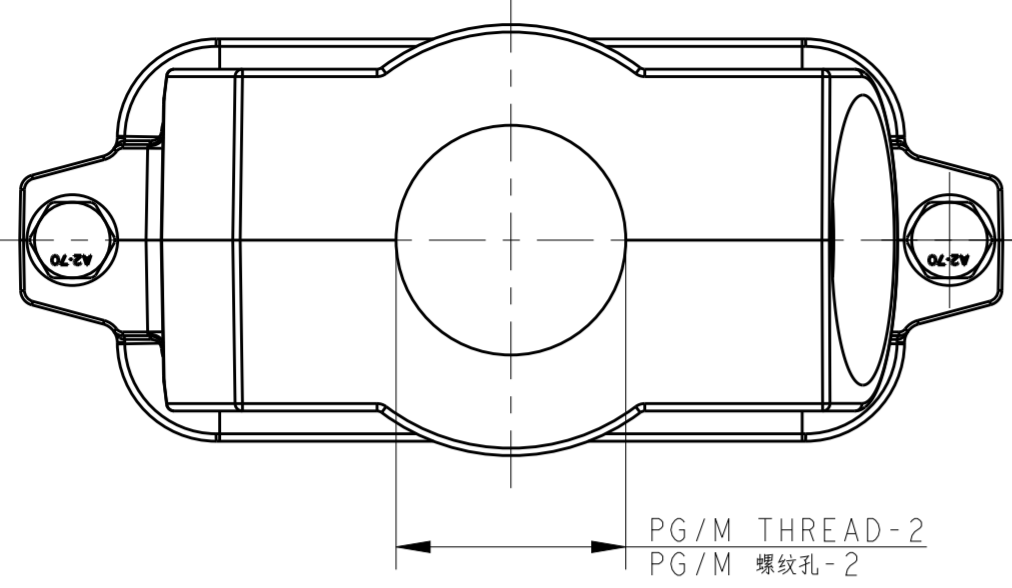


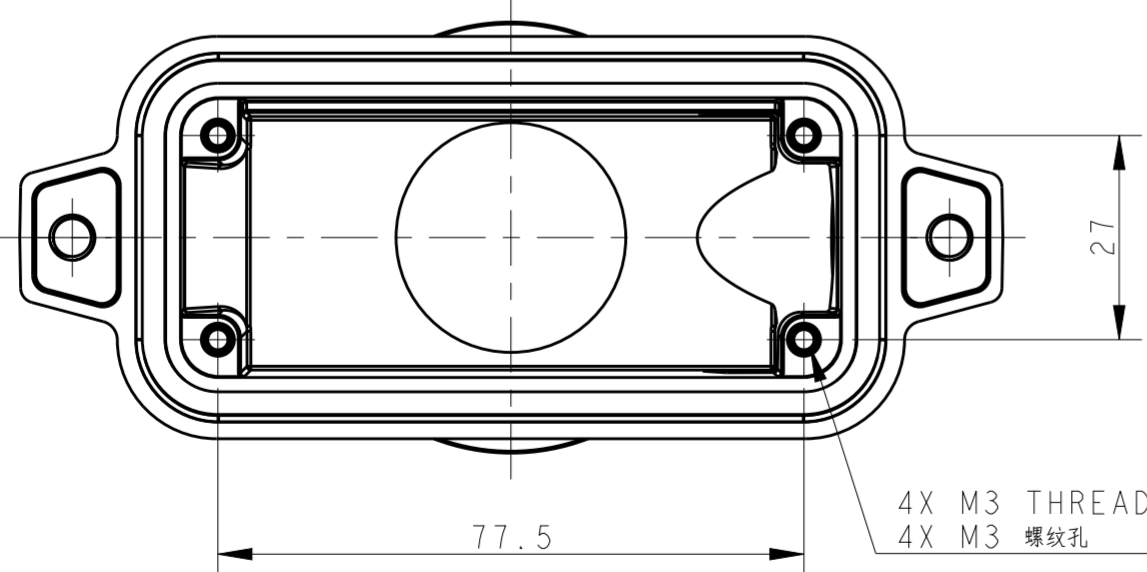
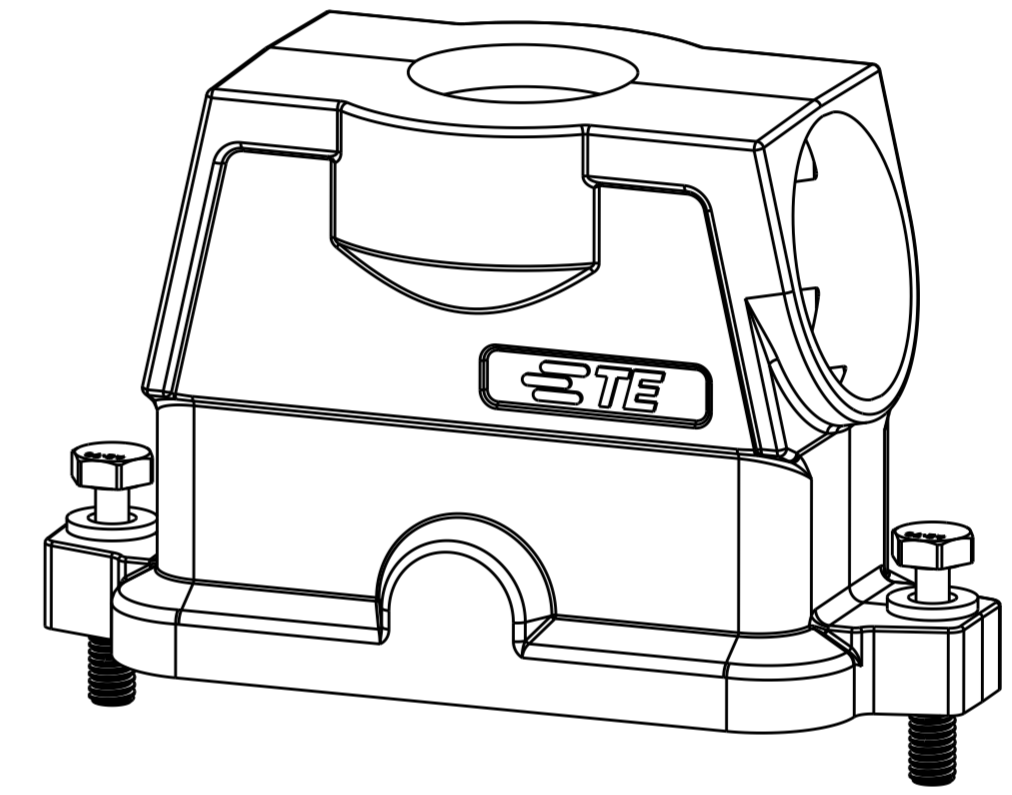
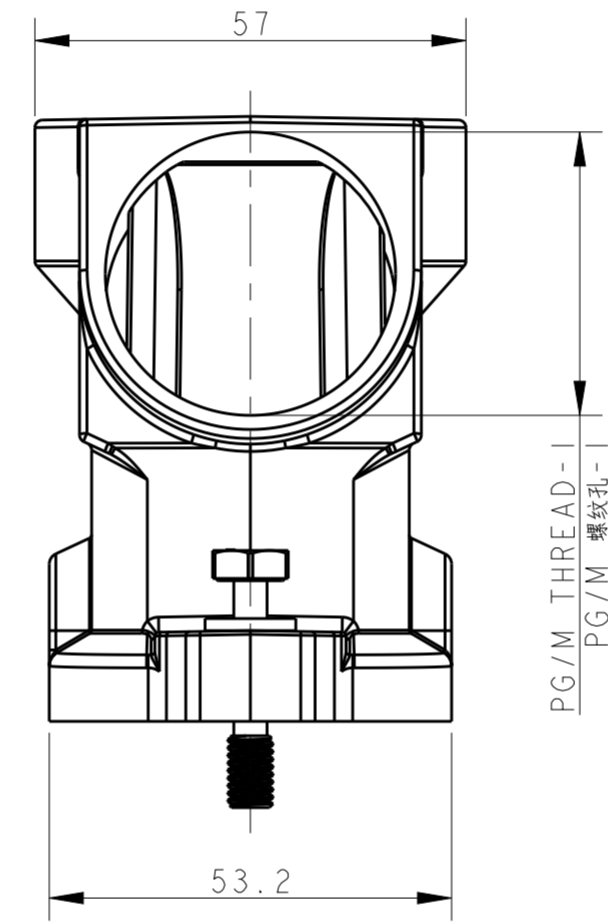
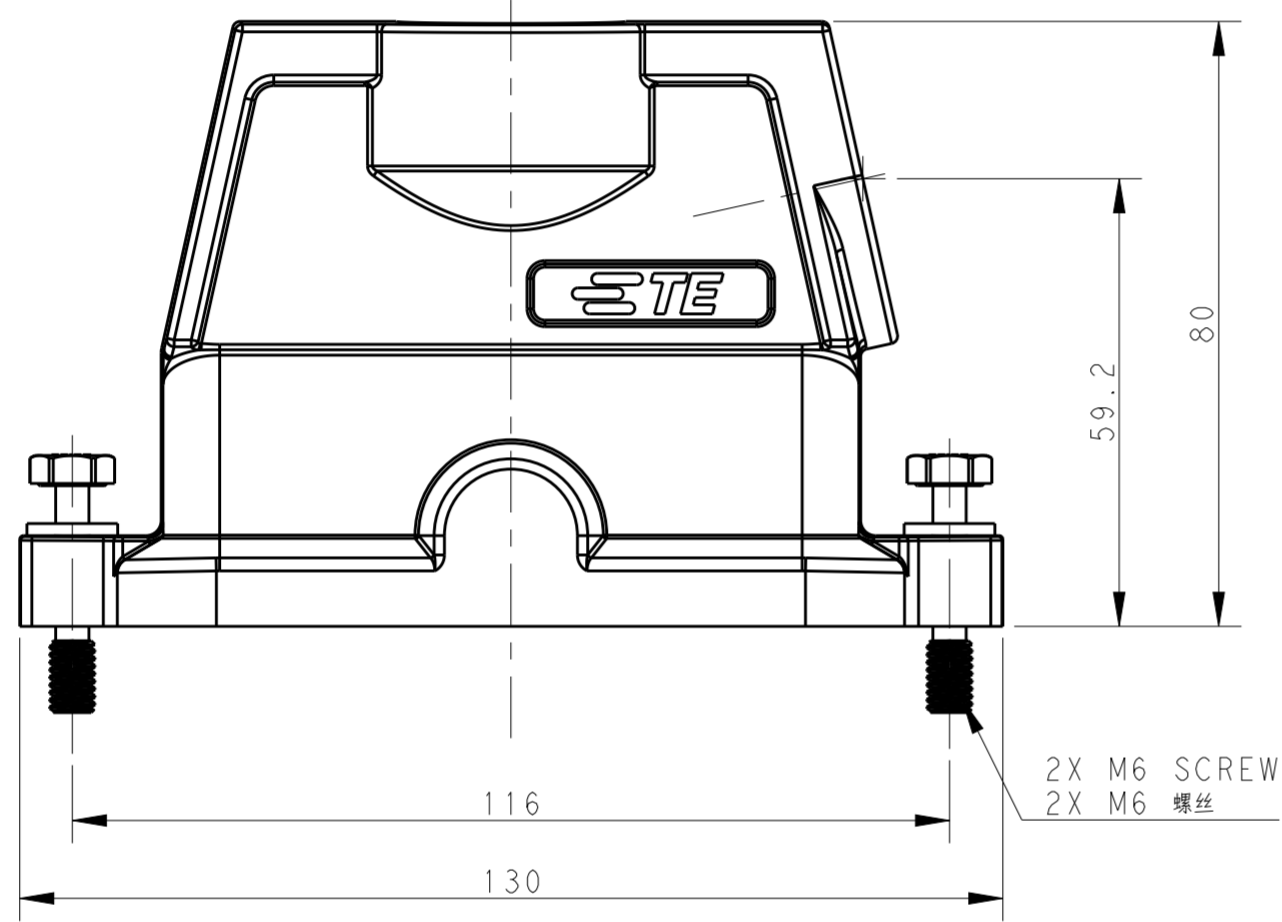
THIS DRAWING IS UNPUBLISHED. RELEASED FOR PUBLICATION 20
 © COPYRIGHT 20 BY - ALL RIGHTS RESERVED.

REVISIONS				
P	LTR	DESCRIPTION	DATE	APVD
A		INITIAL RELEASE	08OCT2016	DW CW



NOTES:
 1. TECHNICAL CHARACTERISTICS:
 HOOD MATERIAL: DIE CAST ALUMINIUM ALLOY
 SURFACE: SEE TABLE
 DEGREE OF PROTECTION: IP68 (MATED)

注释:
 1. 技术参数:
 壳体材料: 铝合金
 表面处理: 见表格
 防护等级: IP68 (配合)



PART NUMBER 料号	PART DESCRIPTION 描述	PG/M THREAD-2 PG/M 螺纹孔-2	PG/M THREAD-1 PG/M 螺纹孔-1
T1902164020-009	H16BPR-TG/SHC-M20/M40-EMC-C H16BPR HOOD, CENTER LOCKING, TOP ENTRY M20, SIDE ENTRY M40, POWDER COATED, SILVER WHITE H16BPR中部锁定顶出M20侧出M40上壳, 银白色粉末喷涂	M20	M40
T1902164025-009	H16BPR-TG/SHC-M40/M25-EMC-C H16BPR HOOD, CENTER LOCKING, TOP ENTRY M40, SIDE ENTRY M25, POWDER COATED, SILVER WHITE H16BPR中部锁定顶出M40侧出M25上壳, 银白色粉末喷涂	M40	M25
T1902163240-009	H16BPR-TG/SHC-M32/M40-EMC-C H16BPR HOOD, CENTER LOCKING, TOP ENTRY M32, SIDE ENTRY M40, POWDER COATED, SILVER WHITE H16BPR中部锁定顶出M32侧出M40上壳, 银白色粉末喷涂	M32	M40
T1902164020-109	H16BPR-TG/SHC-M20/M40-EMC-C H16BPR HOOD, CENTER LOCKING, TOP ENTRY M20, SIDE ENTRY M40, POWDER COATED, BLACK H16BPR中部锁定顶出M20侧出M40上壳, 黑色粉末喷涂	M20	M40
T1902164025-109	H16BPR-TG/SHC-M40/M25-EMC-C H16BPR HOOD, CENTER LOCKING, TOP ENTRY M40, SIDE ENTRY M25, POWDER COATED, BLACK H16BPR中部锁定顶出M40侧出M25上壳, 黑色粉末喷涂	M40	M25
T1902163240-109	H16BPR-TG/SHC-M32/M40-EMC-C H16BPR HOOD, CENTER LOCKING, TOP ENTRY M32, SIDE ENTRY M40, POWDER COATED, BLACK H16BPR中部锁定顶出M32侧出M40上壳, 黑色粉末喷涂	M32	M40

THIS DRAWING IS A CONTROLLED DOCUMENT.

DWN DAVID WANG 08OCT2016
 CHK CHRIS WANG 08OCT2016
 APVD XIANG XU 08OCT2016

DAVID WANG
CHRIS WANG
XIANG XU

PRODUCT SPEC 108-137191
 APPLICATION SPEC 114-137191

NAME H16BPR-TG/SHC-PG/M-EMC-C

SIZE A2 CAGE CODE - DRAWING NO. C-T190216XXXXX09 RESTRICTED TO -

Customer Drawing SCALE 1:1 SHEET 1 OF 1 REV A