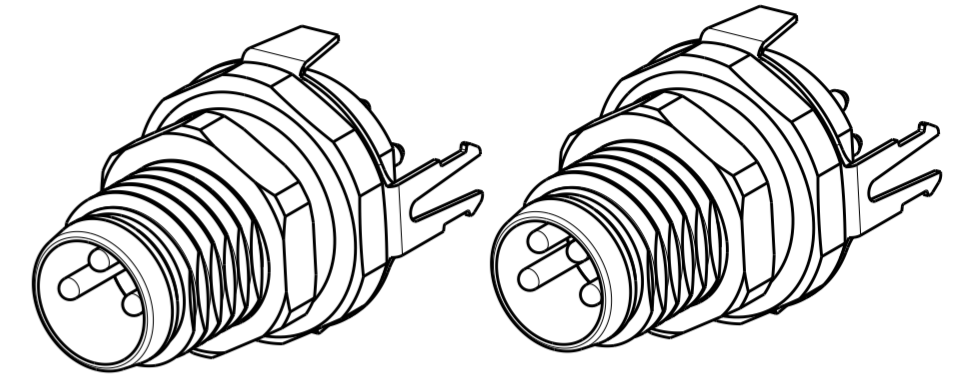
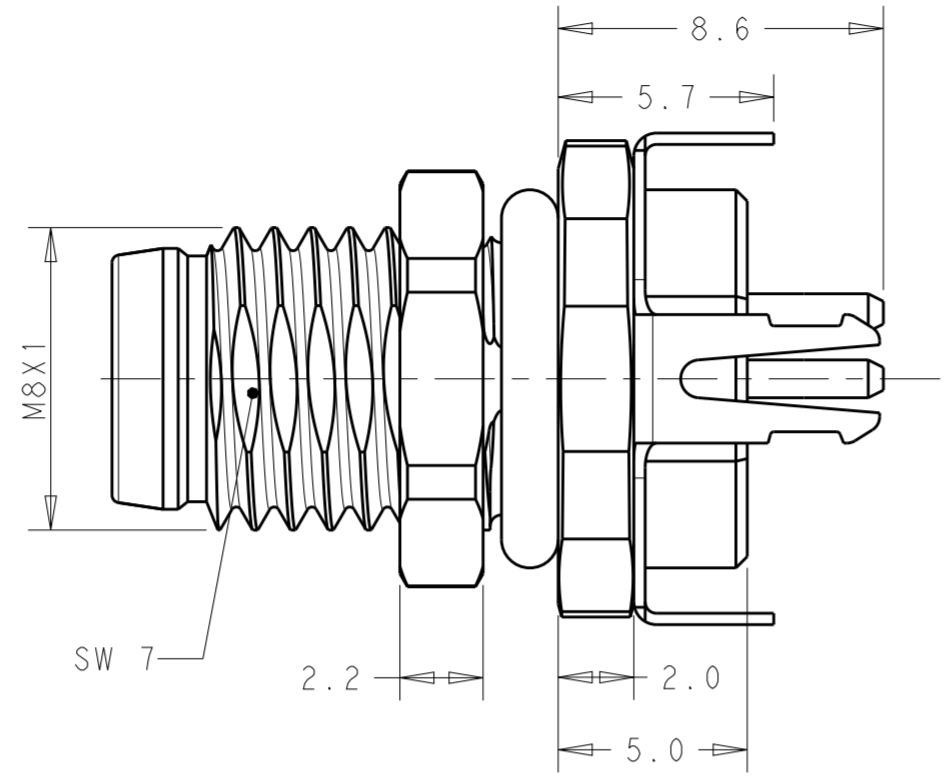
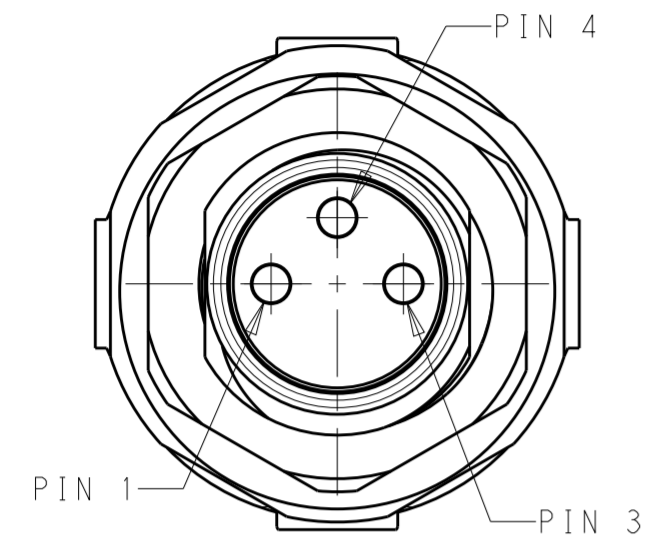


THIS DRAWING IS UNPUBLISHED. RELEASED FOR PUBLICATION 20
 © COPYRIGHT 20 BY - ALL RIGHTS RESERVED.

REVISIONS				
P	LTR	DESCRIPTION	DATE	APVD
A		INITIAL RELEASE	19DEC2016	N.P X.X



- NOTES:
1. TECHNICAL DATA: SEE TABLE 1
 2. PIN ASSIGNMENT SEE VIEW A.
 3. ALL PRODUCT MUST COMPLIANCE WITH ROHS AND REACH.

- 注意事项
1. 技术参数：见表1
 2. 端子分布见视图A；
 3. 产品必须符合ROHS与REACH。

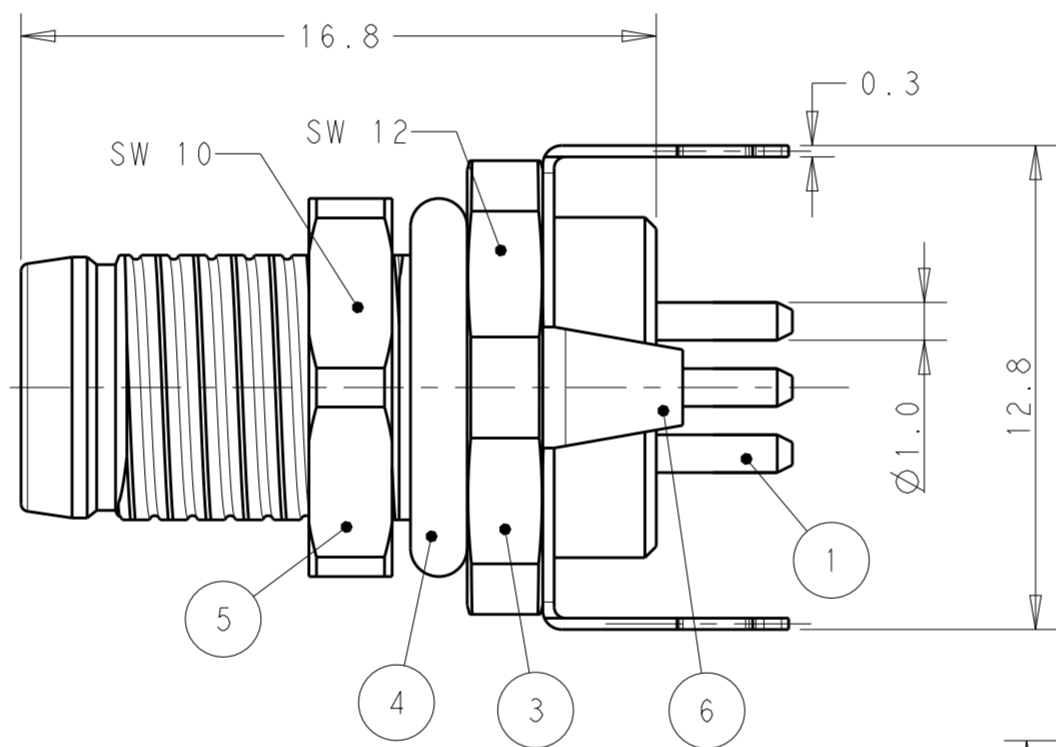
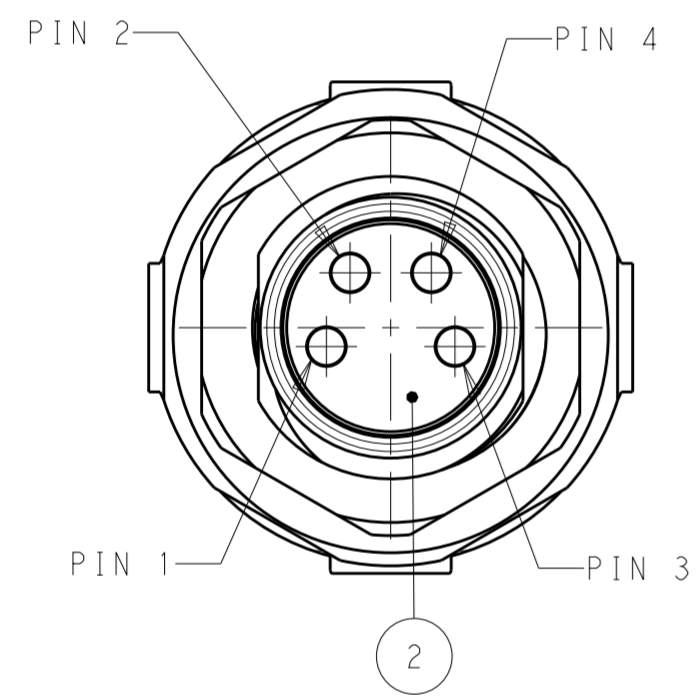
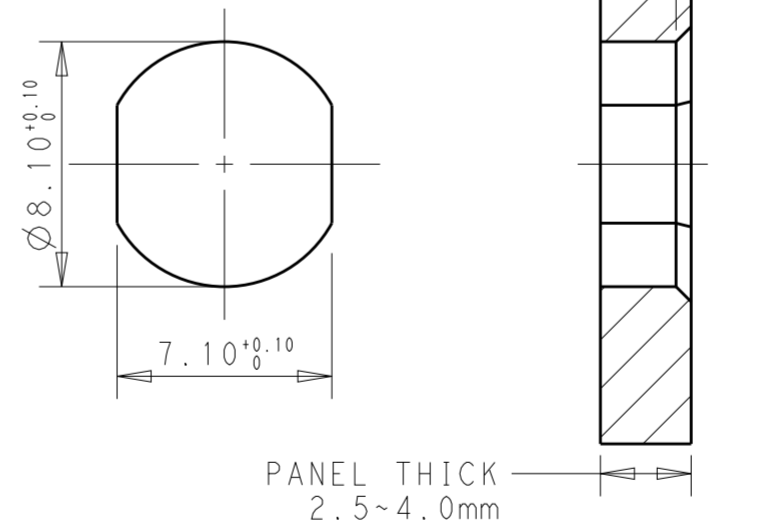
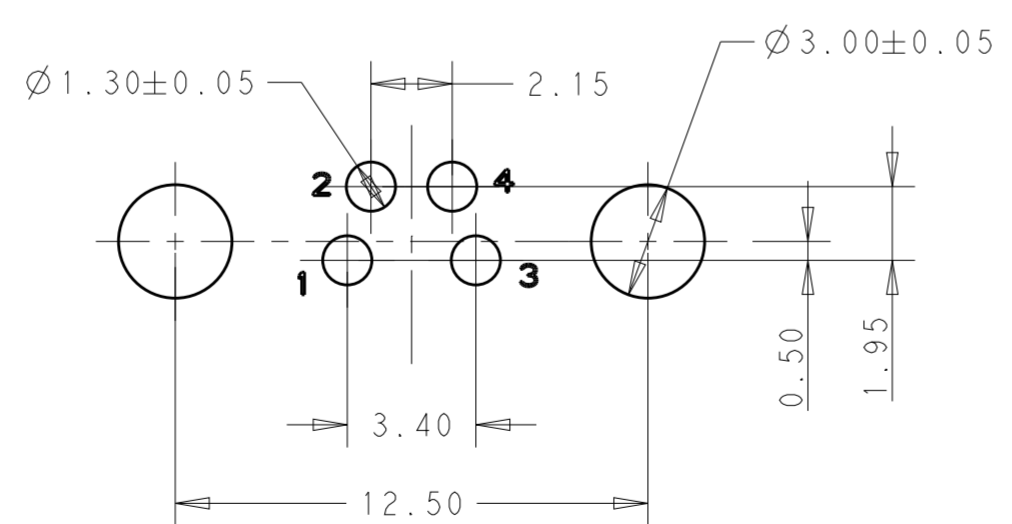
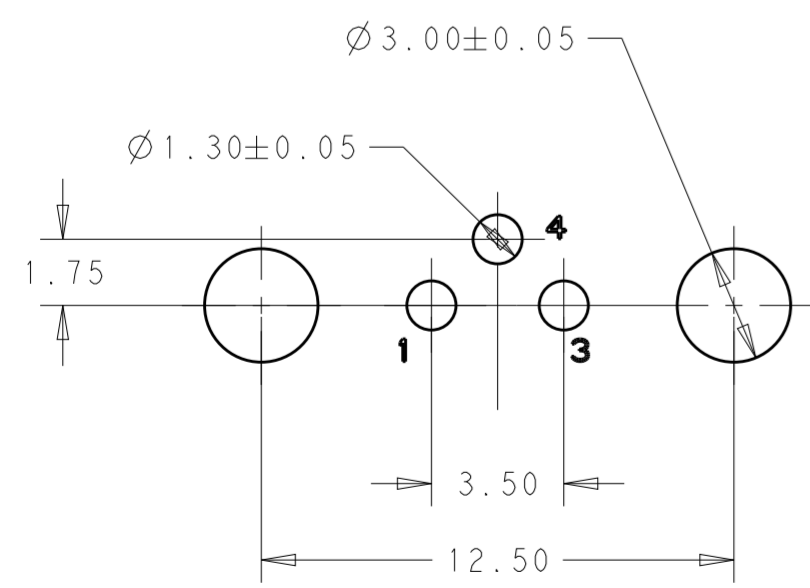


TABLE 1

TECHNICAL DATA	T4040034031-000	T4040034041-000
RATED IMPULSE VOLTAGE	1500V	800V
RATED VOLTAGE	60V	30V
RATED CURRENT	3A	
OVERVOLTAGE CATEGORY	II	
MATERIAL GROUP	II	
DEGREE OF PROTECTION	IP67	
TEMPERATURE	-40°C~85°C	



RECOMMENDED PANEL SIZE

MATERIAL	DESCRIPTION	ITEM
COPPER ALLOY	SHIELDING	6
COPPER ALLOY	NUT	5
RUBBER	O-RING	4
COPPER ALLOY	BODY NUT	3
PA66 UL94-V0	HOUSING	2
GOLD PLATED	CONTACT	1

TYPE	POS.	PART NUMBER
RPC-M8-MF-4CON-M10-LBUSH	4	T4040034041-000
RPC-M8-MF-3CON-M10-LBUSH	3	T4040034031-000

RECOMMENDED PCB LAYOUT
 PCB THICKNESS: 1.6mm

THIS DRAWING IS A CONTROLLED DOCUMENT.		DWN Nick Pan 30NOV2016
DIMENSIONS: mm		CHK Kobby Zhao 30NOV2016
TOLERANCES UNLESS OTHERWISE SPECIFIED:		APVD Xiang Xu 30NOV2016
0 PLC	±	PRODUCT SPEC
1 PLC	±0.25	108-106140
2 PLC	±0.15	APPLICATION SPEC
3 PLC	±	114-137144-1
4 PLC	±	WEIGHT -
ANGLES	±	CUSTOMER DRAWING
FINISH	-	SCALE 2:1 SHEET 1 OF 1 REV A
MATERIAL TBD	finish_spec_2	

STE TE Connectivity

NAME: M8 PANEL PCB CONNECTOR MALE SIDE REAR MOUNTING

SIZE: A2 CAGE CODE: - DRAWING NO: T40400340X1000 RESTRICTED TO: -