

| MATERIAL NUMBER                |                                | CKT SIZE | DESCRIPTION                        | POL | COLOR |
|--------------------------------|--------------------------------|----------|------------------------------------|-----|-------|
| TRAY PACKAGING<br>PK-31300-892 | TUBE PACKAGING<br>PK-31301-063 |          |                                    |     |       |
| 34691-0200                     | 34691-9200                     | 20       | STAC64 RIGHT ANGLE HEADER ASSEMBLY | A   | BLACK |
| 34691-0201                     | 34691-9201                     | 20       | STAC64 RIGHT ANGLE HEADER ASSEMBLY | B   | GREY  |
| 34691-0202                     | 34691-9202                     | 20       | STAC64 RIGHT ANGLE HEADER ASSEMBLY | C   | BROWN |
| 34691-0203                     | 34691-9203                     | 20       | STAC64 RIGHT ANGLE HEADER ASSEMBLY | D   | GREEN |
| 34691-0160                     | 34691-9160                     | 16       | STAC64 RIGHT ANGLE HEADER ASSEMBLY | A   | BLACK |
| 34691-0161                     | 34691-9161                     | 16       | STAC64 RIGHT ANGLE HEADER ASSEMBLY | B   | GREY  |
| 34691-0162                     | 34691-9162                     | 16       | STAC64 RIGHT ANGLE HEADER ASSEMBLY | C   | BROWN |
| 34691-0120                     | 34691-9120                     | 12       | STAC64 RIGHT ANGLE HEADER ASSEMBLY | A   | BLACK |
| 34691-0121                     | 34691-9121                     | 12       | STAC64 RIGHT ANGLE HEADER ASSEMBLY | B   | GREY  |
| 34691-0122                     | 34691-9122                     | 12       | STAC64 RIGHT ANGLE HEADER ASSEMBLY | C   | BROWN |
| 34691-0080                     | 34691-9080                     | 8        | STAC64 RIGHT ANGLE HEADER ASSEMBLY | A   | BLACK |
| 34691-0081                     | 34691-9081                     | 8        | STAC64 RIGHT ANGLE HEADER ASSEMBLY | B   | GREY  |
| 34691-0082                     | 34691-9082                     | 8        | STAC64 RIGHT ANGLE HEADER ASSEMBLY | C   | BROWN |

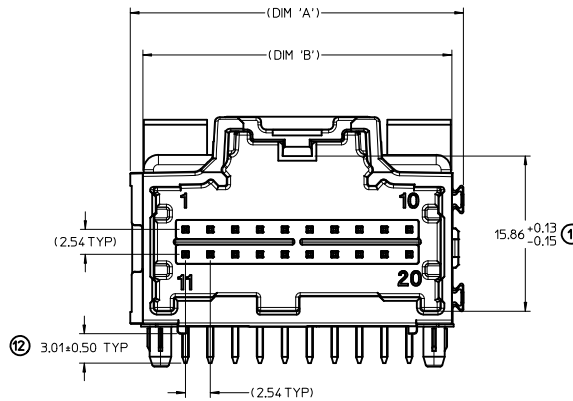
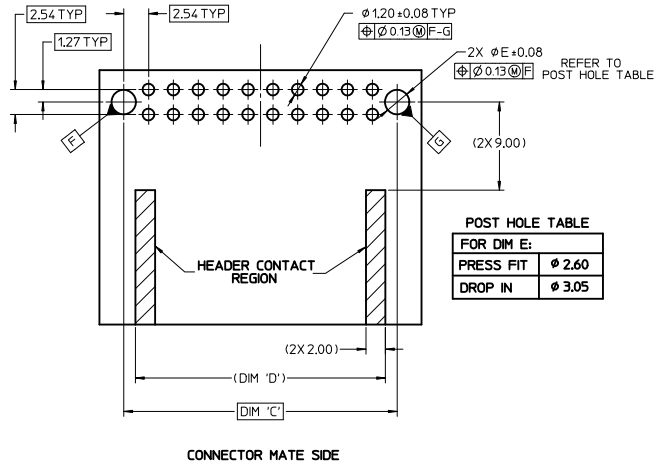
NOTES: VALID UNLESS OTHERWISE SPECIFIED

1. GENERAL:
  - a. CONNECTOR HEADER MUST BE VALIDATED TO THE FOLLOWING FUNCTIONAL REQUIREMENTS:
    - POLARIZATION FEATURE EFFECTIVENESS - SEE PRODUCT SPECIFICATION
    - PIN RETENTION - USCAR-2 REV 4
    - SOLDERABILITY - SMES-152
  - b. APPLICATION REQUIREMENTS (REFERENCE ONLY) FOR:
    - SEE APPLICATION SPECIFICATION - AS-34729-020
    - SEE PRODUCT SPECIFICATION - PS-34729-020
  - c. PACKAGING SPECIFICATION: SEE CHART
2. DESIGN: MATERIALS:
  - a. SHROUD (PLASTIC HOUSING):
    - RESIN - SPS 30%GF - 20% REGRIND MAX. BY WEIGHT
  - b. 0.64MM PINS:
    - BASE MATERIAL: C26000
    - PLATING TYPE: AS NOTED
  - c. PIN ALIGNMENT PLATE: MYLAR
3. PLATING REQUIREMENTS:
  - a. UNDERPLATING - OVERALL NICKEL
  - b. OVERPLATING - OVERALL TIN

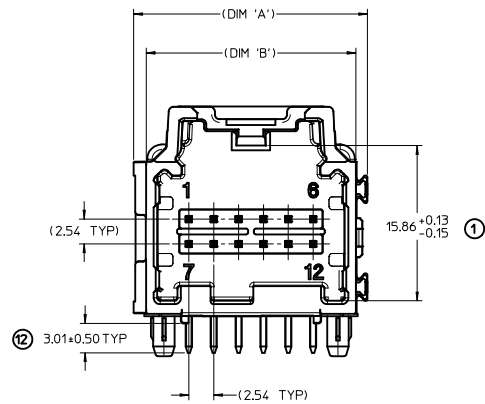
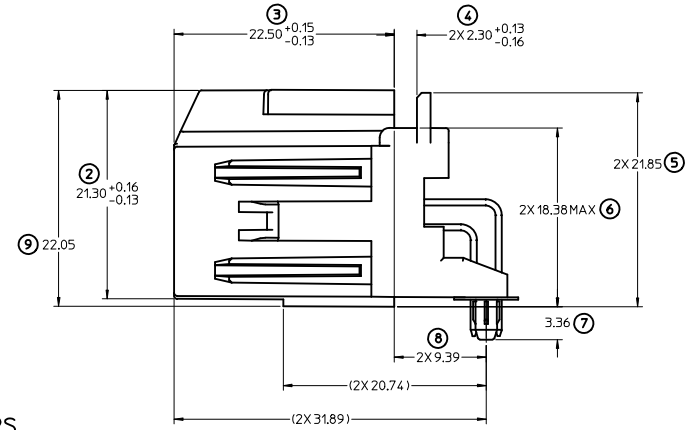
|   |   |  |   |  |   |  |  |              |                        |  |
|---|---|--|---|--|---|--|--|--------------|------------------------|--|
| UPDATED DIMENSIONS<br>DEC NO: UAU2012-1442<br>G4<br>CHYD:<br>APPROV: SMARCEAU<br>2012/05/24<br>DESCRIPTION: | QUALITY SYMBOLS   |  | GENERAL TOLERANCES (UNLESS SPECIFIED)   |  | DIMENSION STYLE   |  | SCALE  | DESIGN UNITS | THIRD ANGLE PROJECTION |  |
|   | $\nabla=0$<br>$\nabla=0$  |  | mm      INCH<br>4 PLACES ± .--- ± .---<br>3 PLACES ± .--- ± .---<br>2 PLACES ± 0.13 ± .---<br>1 PLACE ± 0.25 ± .---<br>ANGULAR ± 3° |  | MM ONLY   |  | 2:1  | METRIC       |                        |  |
|   | DRAWN BY: MBAILEY<br>CHECKED BY: DATE<br>ED LILLON 04/18/07<br>APPROVED BY: DATE<br>SMARCEAU 2010/11/04 |  | MATERIAL NO.<br>SEE CHART   |  | TITLE<br>STAC64 SINGLE BAY<br>RIGHT ANGLE ASSEMBLY<br>SALES DRAWING |  | MOLEX INCORPORATED   |              | SHEET NO.<br>1 OF 2    |  |
|   | DRAFT WHERE APPLICABLE<br>MUST REMAIN<br>WITHIN DIMENSIONS  |  | DOCUMENT NO.<br>SD-34691-100  |  | MOLEX INCORPORATED  |  | THIS DRAWING CONTAINS INFORMATION THAT IS PROPRIETARY TO MOLEX<br>INCORPORATED AND SHOULD NOT BE USED WITHOUT WRITTEN PERMISSION |              |                        |  |

| CKT SIZE | DIM 'A' | DIM 'B' | DIM 'C' | DIM 'D' |
|----------|---------|---------|---------|---------|
| 20       | 34.04   | 31.57   | 27.94   | 25.54   |
| 16       | 28.96   | 26.49   | 22.86   | 20.46   |
| 12       | 23.88   | 21.41   | 17.78   | 15.38   |
| 8        | 18.80   | 16.53   | 12.70   | 10.30   |

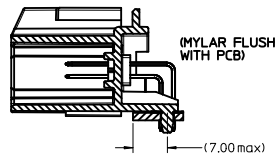
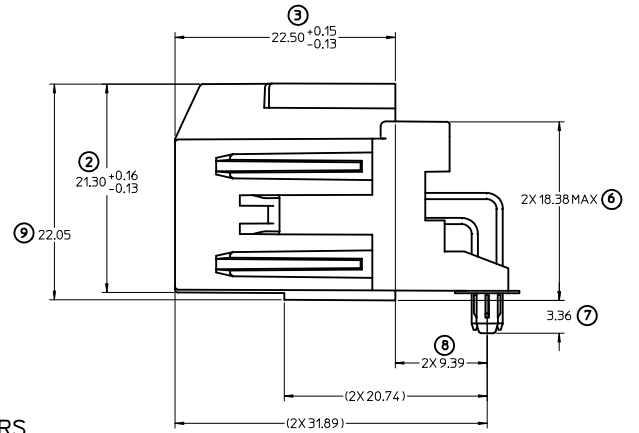
### RECOMMENDED PCB LAYOUT



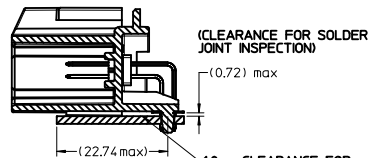
LAYOUT FOR 16 & 20 CKT. HEADERS  
(20 CKT. OPTION 'A' SHOWN)



LAYOUT FOR 8 & 12 CKT. HEADERS  
(12 CKT. OPTION 'A' SHOWN)



PANEL MOUNTING:  
HEADER-TO-PCB  
SCALE 2:1

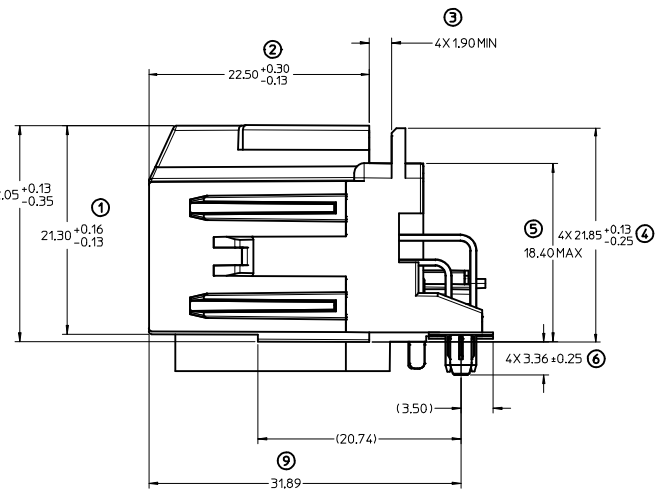
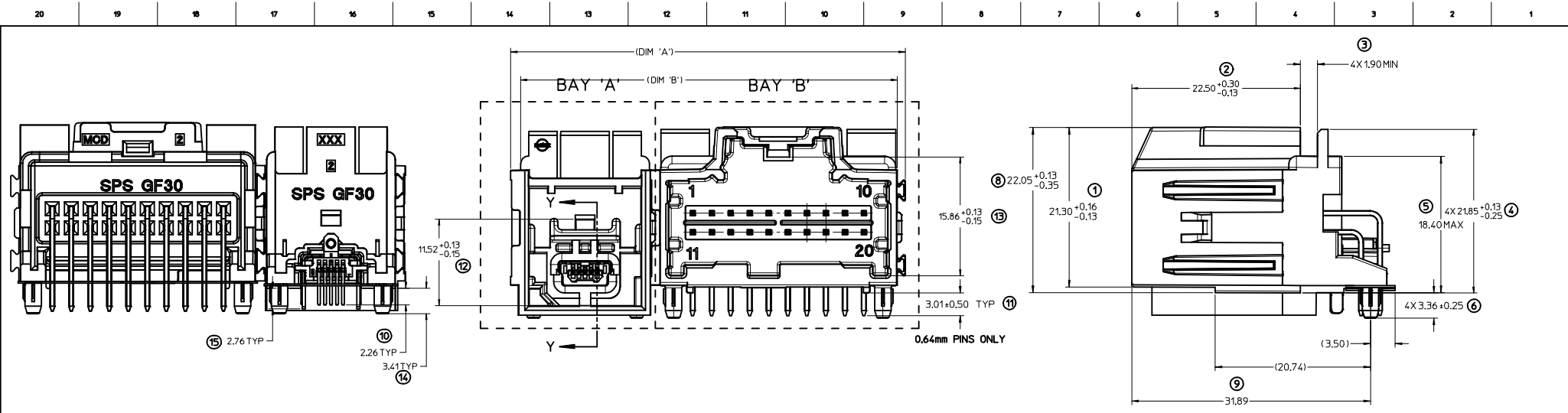


FLUSH MOUNTING:  
HEADER-TO-PCB  
SCALE 2:1

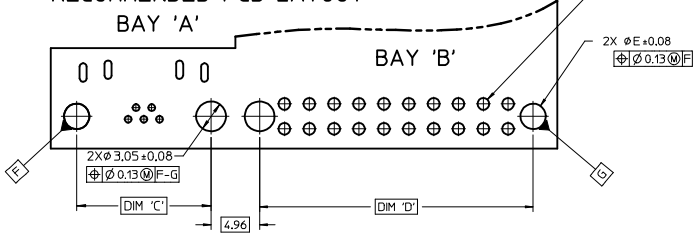
\* RECOMMENDED FOR PIN THROUGH PASTE REFLOW PROCESSING \*

| <b>UPDATED DIMENSIONS</b><br>IEC NO. UAU2012-1442<br>DRAWN/DANIELE 2012/05/23<br>CHKD:<br>APPR:SMARCEAU 2012/05/24            | <b>QUALITY SYMBOLS</b><br>▽=0<br>▽=0                        | <b>GENERAL TOLERANCES (UNLESS SPECIFIED)</b><br><table border="1"> <thead> <tr> <th></th> <th>mm</th> <th>INCH</th> </tr> </thead> <tbody> <tr> <td>4 PLACES</td> <td>± 0.13</td> <td>± 0.005</td> </tr> <tr> <td>3 PLACES</td> <td>± 0.13</td> <td>± 0.005</td> </tr> <tr> <td>2 PLACES</td> <td>± 0.13</td> <td>± 0.005</td> </tr> <tr> <td>1 PLACE</td> <td>± 0.25</td> <td>± 0.010</td> </tr> </tbody> </table> |                                     | mm                           | INCH                    | 4 PLACES                       | ± 0.13                    | ± 0.005 | 3 PLACES | ± 0.13 | ± 0.005 | 2 PLACES | ± 0.13 | ± 0.005 | 1 PLACE | ± 0.25 | ± 0.010 | <b>DIMENSION STYLE</b><br>MM ONLY | <b>SCALE</b><br>4:1 | <b>DESIGN UNITS</b><br>METRIC | <b>THIRD ANGLE PROJECTION</b><br> |
|---|---|---|-------------------------------------|------------------------------|-------------------------|--------------------------------|---------------------------|---------|----------|--------|---------|----------|--------|---------|---------|--------|---------|-----------------------------------|---------------------|-------------------------------|-----------------------------------|
|   |   | mm  | INCH                                |                              |                         |                                |                           |         |          |        |         |          |        |         |         |        |         |                                   |                     |                               |                                   |
|   | 4 PLACES  | ± 0.13  | ± 0.005                             |                              |                         |                                |                           |         |          |        |         |          |        |         |         |        |         |                                   |                     |                               |                                   |
|   | 3 PLACES  | ± 0.13  | ± 0.005                             |                              |                         |                                |                           |         |          |        |         |          |        |         |         |        |         |                                   |                     |                               |                                   |
| 2 PLACES  | ± 0.13  | ± 0.005   |                                     |                              |                         |                                |                           |         |          |        |         |          |        |         |         |        |         |                                   |                     |                               |                                   |
| 1 PLACE   | ± 0.25  | ± 0.010   |                                     |                              |                         |                                |                           |         |          |        |         |          |        |         |         |        |         |                                   |                     |                               |                                   |
| <b>DESCRIPTION</b><br>STAC64 SINGLE BAY<br>RIGHT ANGLE ASSEMBLY<br>SALES DRAWING  | <b>DRAFT WHERE APPLICABLE MUST REMAIN WITHIN DIMENSIONS</b> | <b>DRAWN BY</b><br>MBAILEY  | <b>DATE</b><br>10/02/06             | <b>CHECKED BY</b><br>CDILLON | <b>DATE</b><br>04/18/07 | <b>APPROVED BY</b><br>SMARCEAU | <b>DATE</b><br>2010/11/04 |         |          |        |         |          |        |         |         |        |         |                                   |                     |                               |                                   |
| <b>SIZE</b><br>D  | <b>MATERIAL NO.</b><br>SEE CHART                            | <b>MOLEX INCORPORATED</b>   | <b>DOCUMENT NO.</b><br>SD-34691-100 | <b>SHEET NO.</b><br>2 OF 2   |                         |                                |                           |         |          |        |         |          |        |         |         |        |         |                                   |                     |                               |                                   |
| THIS DRAWING CONTAINS INFORMATION THAT IS PROPRIETARY TO MOLEX INCORPORATED AND SHOULD NOT BE USED WITHOUT WRITTEN PERMISSION |   |   |                                     |                              |                         |                                |                           |         |          |        |         |          |        |         |         |        |         |                                   |                     |                               |                                   |





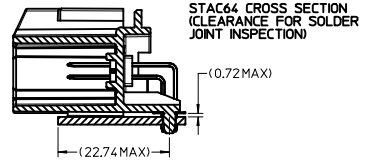
INSERT NECESSARY BAYS USING CHART ON SHEET 1.  
RECOMMENDED PCB LAYOUT



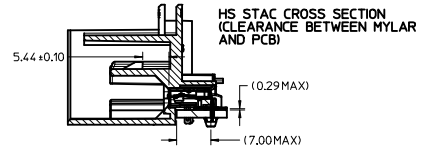
FOR HOLE LOCATION REFER TO TEMPLATE BELOW

POST HOLE TABLE:

|            |      |
|------------|------|
| FOR DIM E: |      |
| PRESS FIT: | 2.60 |
| DROP IN:   | 3.05 |



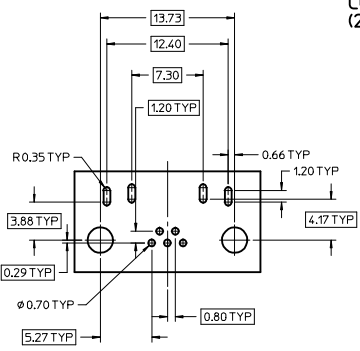
FLUSH MOUNTING: HEADER-TO-PCB SCALE 2:1



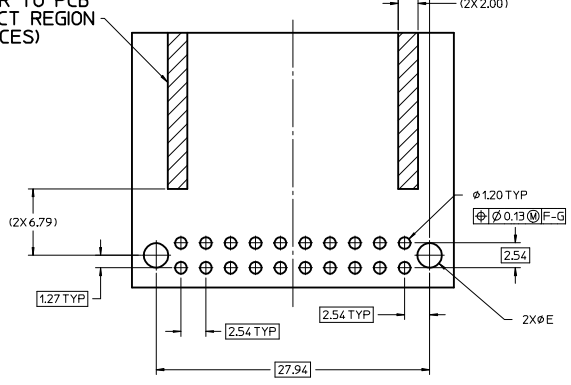
FLUSH MOUNTING HEADER-TO-PCB SCALE 2:1

\* RECOMMENDED FOR PIN THROUGH PASTE REFLOW PROCESSING \*

HS STAC TEMPLATE PCB LAYOUT



8-20 CKT 0.64mm TEMPLATE PCB LAYOUT



|  |  |  |  |  |   |  |                                  |  |   |  |
|--|--|--|--|--|---|--|----------------------------------|--|---|--|
| REVISED<br>EC NO. UAU2012-1387<br>DRAWN/DANIELE 2010/05/10<br>CHKD:<br>APPR:SMARCEAU 2012/05/11<br>DESCRIPTION | QUALITY SYMBOLS<br>▽=0<br>▽=0                        |  | GENERAL TOLERANCES (UNLESS SPECIFIED)<br>mm INCH<br>4 PLACES ± --- ± ---<br>3 PLACES ± --- ± ---<br>2 PLACES ± 0.13 ± ---<br>1 PLACE ± 0.25 ± ---<br>ANGULAR ± 1 ° |  | DIMENSION STYLE<br>MM ONLY<br>DRAWN BY DATE<br>VDANIELE 2010/06/24<br>CHECKED BY DATE<br>JDUNAJ 2010/06/29<br>APPROVED BY DATE<br>SMARCEAU 2010/07/08 |  | SCALE DESIGN UNITS<br>4:1 METRIC |  | THIRD ANGLE PROJECTION<br>TITLE<br>2-BAY HSSTAC RIGHT ANGLE HEADER ASSEMBLY SALES DRAWING                                     |  |
|  | DRAFT WHERE APPLICABLE MUST REMAIN WITHIN DIMENSIONS |  | MATERIAL NO. SEE CHART<br>DOCUMENT NO. SD-34787-200  |  | MOLEX INCORPORATED  |  | SHEET NO. 2 OF 2                 |  | THIS DRAWING CONTAINS INFORMATION THAT IS PROPRIETARY TO MOLEX INCORPORATED AND SHOULD NOT BE USED WITHOUT WRITTEN PERMISSION |  |