

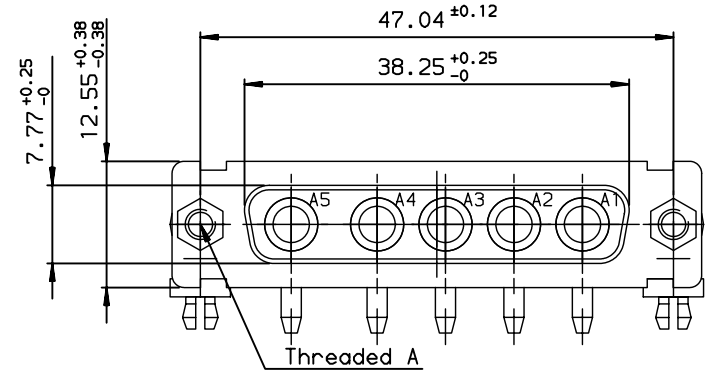
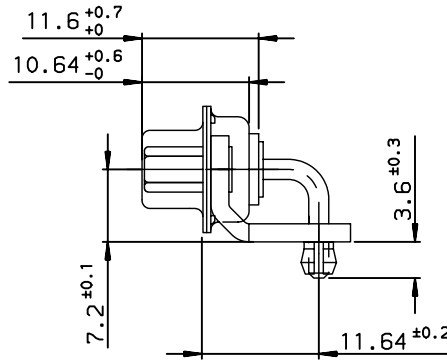
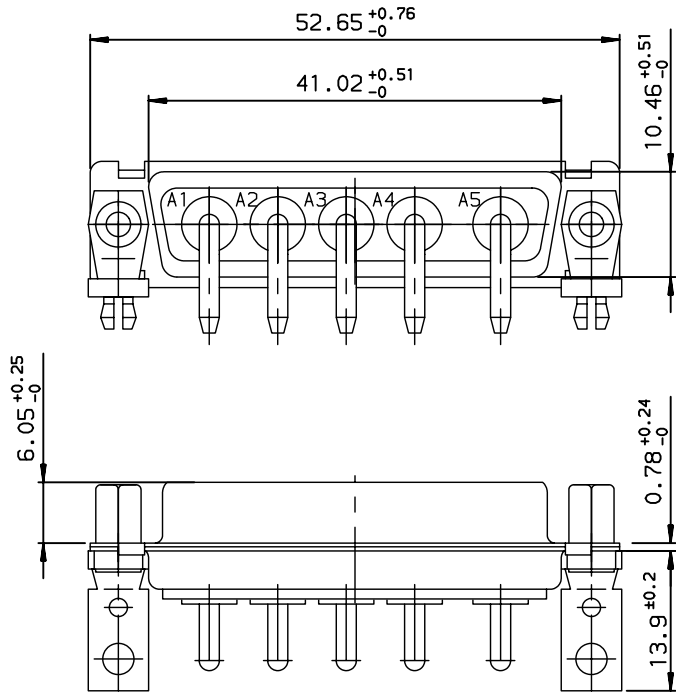
1

2

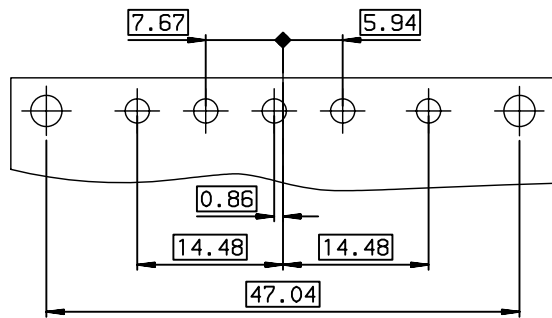
3

4

GENERAL CHARACTERISTICS : SEE DRAWING C01-8639-0001



LAYOUT DIMENSIONS (after plating)
CONNECTOR SIDE VIEW



European Views

www.fciconnect.com		surface ISO 1302 ✓	tolerance std ISO 406 ISO 1101	projection ⊕	mm
TOLERANCES UNLESS OTHERWISE SPECIFIED					
Dr	JARRY	2003/10/01	ANGULAR	0.X ±0.1	size A3
Eng	JARRY	2003/10/01	LINEAR	0.XX ±0.1	Scale 2
Chr	LEGARE	2003/10/01	0.XX' ±2'	0.XXX ±0.1	ECN LS07-0302
Appr	LEGARE	2003/10/01	Product family	SUB	Spec ref -
FCj		title SOCKET CONNECTOR 5W5 WITH POWERS CONTACTS			Rev. C
catalog no		-			dwg no C01-8639-1843
		CUSTOMER			sheet 1 of 1

rev	ecn no	dr	date
B	-	CJA	2003/10/01
C	LS07-0302	MPE	2007/11/29
-	-	-	-
-	-	-	-
-	-	-	-
-	-	-	-

REV F - 2006-04-17

1

2

3

4