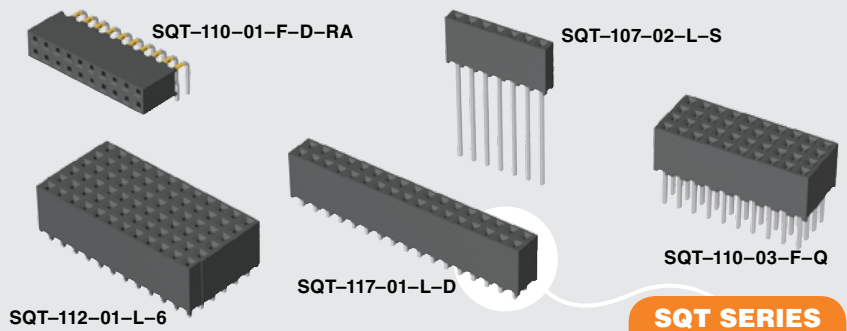




(2.00 mm) .0787"



SQT SERIES

COST-EFFECTIVE RUGGED SOCKETS

SPECIFICATIONS

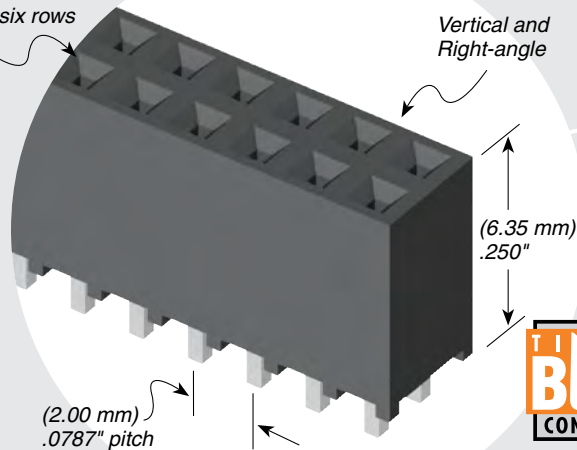
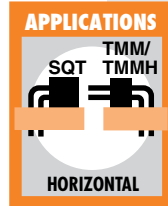
For complete specifications see www.samtec.com?SQT

- Insulator Material:** Black Liquid Crystal Polymer
- Contact Material:** Phosphor Bronze
- Plating:** Sn or Au over 50 μ" (1.27 μm) Ni
- Current Rating (TMMH/SQT):** 5.1 A per pin (1 pin powered per row)
- Voltage Rating:** 281 VAC mated with TMM; 250 VAC mated with TMMH
- Operating Temp Range:** -55 °C to +125 °C
- Contact Resistance:** 10 mΩ
- Insertion Depth:** (2.62 mm) .103" to (5.03 mm) .198"
- Normal Force:** 60 grams (0.59 N) average
- Max Cycles:** 100 with 10 μ" (0.25 μm) Au
- RoHS Compliant:** Yes
- Lead-Free Solderable:** Yes

- Board Mates:** TMMH, TMM, MTMM, MMT, TW, LTMM, ZLTMM, ESQT, PTT, TSH
- Cable Mates:** TCMD

Choice of one through six rows

Vertical and Right-angle



RECOGNITIONS

For complete scope of recognitions see www.samtec.com/quality



Note: Some lengths, styles and options are non-standard, non-returnable.

SQT	1	NO. PINS PER ROW	LEAD STYLE	PLATING OPTION	ROW OPTION	OTHER OPTION
02 thru 50		Specify LEAD STYLE from chart	-F = Gold flash on contact, Matte Tin on tail	-S = Single Row	-RA = Right-angle (-Q, -5 & -6 Row not available) (Lead Style -01 only)	
			-L = 10 μ" (0.25 μm) Gold on contact, Matte Tin on tail	-D = Double Row	-T = Triple Row	
				-Q = Four Row	-“XXX” = Polarized Position (Indicate position number)	
				-5 = Five Row		
				-6 = Six Row		

Other Solutions

- Elevated**
See ESQT Series.
- Surface Mount**
See SQW and TLE Series.
- Low Profile**
See CLT Series.
- High Reliability**
See SMM Series.
- Press-Fit**
See PTF Series.

