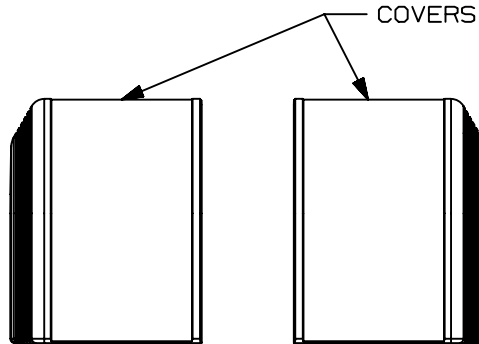
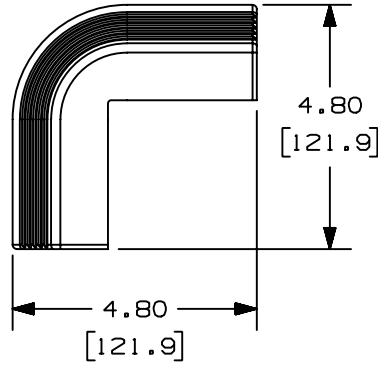


THIS COPY IS PROVIDED ON A RESTRICTED BASIS AND IS NOT TO BE USED IN ANY WAY DETRIMENTAL TO THE INTERESTS OF PANDUIT CORP.

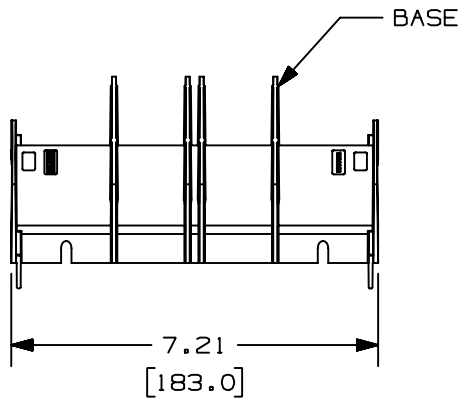


COVERS



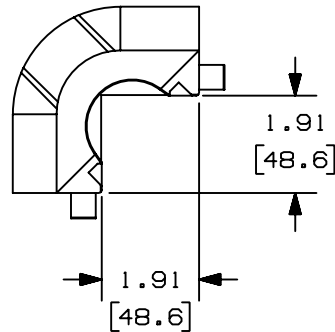
4.80
[121.9]

4.80
[121.9]



BASE

7.21
[183.0]



1.91
[48.6]

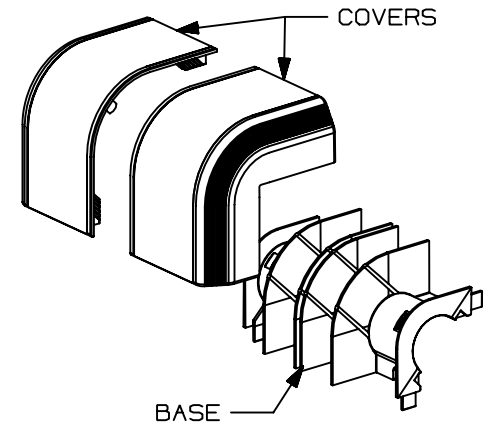
1.91
[48.6]

PANDUIT P/N	WEIGHT
T7020C	3.12 LB/10 PCS (1418 g/10 PCS)



NOTES:

1. SEE CURRENT CATALOG FOR ADDITIONAL PART SUFFIXES TO INDICATE COLOR AND OR PACKAGE QUANTITY.
2. THIS PART IS INTENDED TO BE USED WITH PANDUIT TWIN-70 RACEWAY.
3. DIMENSIONS IN PARENTHESES ARE IN METRIC.



COVERS

BASE

CAD FILENAME/LAYERS		D34866DW_DC_T7020CB_02	
<h1>PANDUIT</h1> CORP. TINLEY PARK, ILLINOIS			
TWIN-70 OUTSIDE CORNER (T7020C) CUSTOMER DRAWING			
UNLESS OTHERWISE SPECIFIED, DIMENSIONAL TOLERANCES ARE: (.X) ± (.XXX) ± (.XX) ±.03(.8) ANGLES ±		UNLESS OTHERWISE SPECIFIED, ALL DIMENSIONS ARE GIVEN IN INCHES, THIRD ANGLE PROJECTION.	
DRAWN BY DW	MAT'L: PVC	SCALE NONE	
DATE 02-27-98		DRAWING NO. 34866-70	DWG A
CHECKED BY HIW			

REV	DATE	BY	CHK	DESCRIPTION	ECN	CHK	CUST	SUP
2	07-28-98	DW	HIW	C. REVISED TITLE NAME. B. MAT'L WAS ABS/PC AND REV'D WEIGHT.	34866-70	HIW	HIW	
1	03-04-98	DW	HIW	A. PART NAME WAS CORNER FITTING BASE.	34866-70	HIW	HIW	
R	02-27-98	DW	HIW	RELEASED TO PRODUCTION.	34866-70	HIW	HIW	