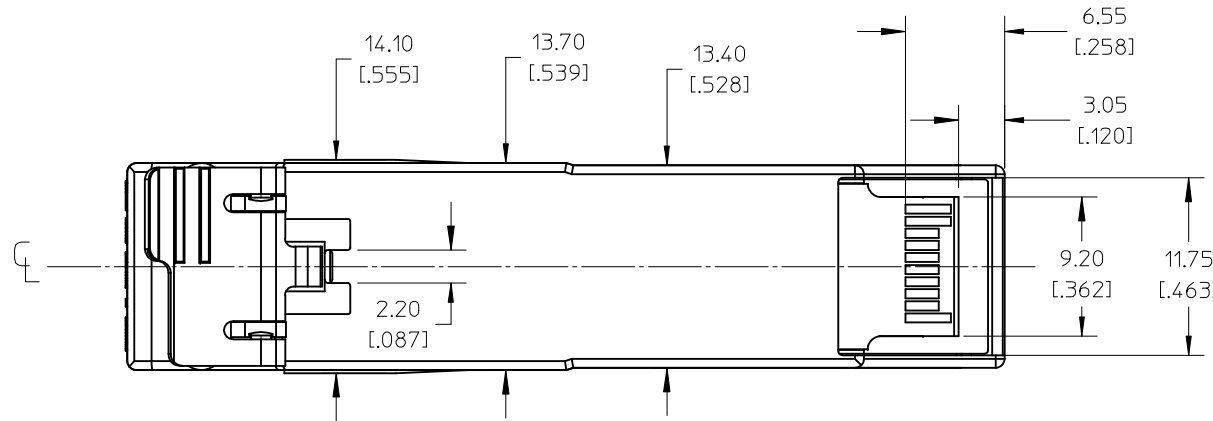
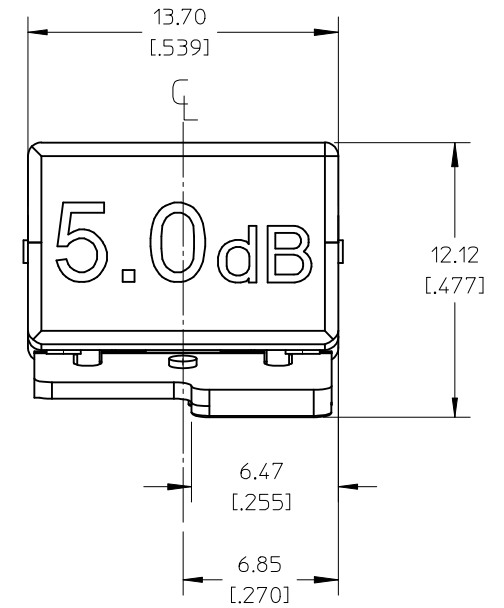
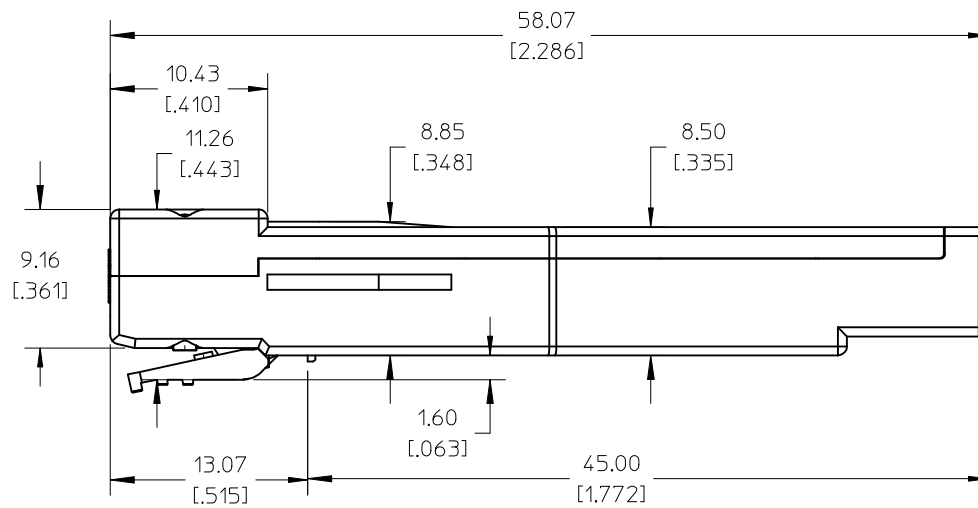


PROMINENT COLORED FRONT LABEL,
ATTENUATION IN BLACK LETTERS

1. Mates to SFP components which comply to standard MSA dimension specifications.
2. Support for: Data rates to 10 Gbps
3. Robust zinc die cast body, bright nickel plated. Mounts belly-to-belly using 0.093"+ boards.
4. Raised wedges assure electrical contact with surrounding EMI cage assembly.
5. Spring loaded latch releases with simple squeeze, and pull action.
6. 100 ohm impedance.
7. Supports serial ID functionality.
8. 3.3V supply.
9. Hot pluggable.

PART NUMBER	LABEL COLOR	PART DESCRIPTION
747650904	TAN	SERIAL ID, WITH 5.0 dB ATTENUATION
747650906	LIGHT BLUE	SERIAL ID, WITH 0.0 dB ATTENUATION

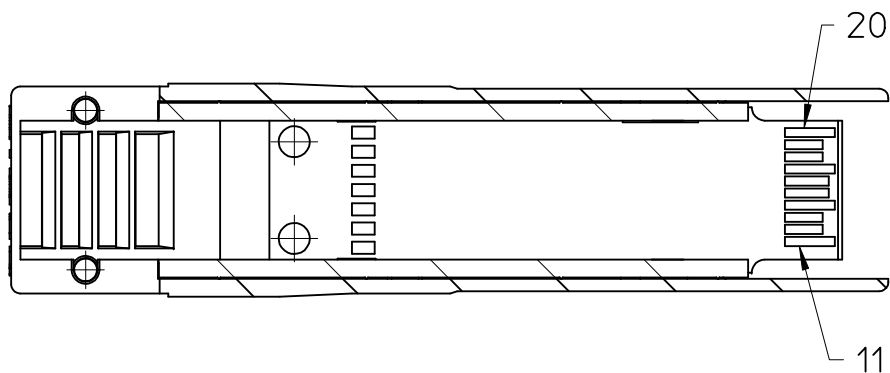
ENTER DESCRIPTION EC NO: USY2009-0124 DRWN: JERWIN 2008/09/25 CHKD: BRUSSELL 2008/10/07 APPR: BRUSSELL 2008/10/08	REV DESCRIPTION C	QUALITY SYMBOLS	GENERAL TOLERANCES (UNLESS SPECIFIED)		DIMENSION STYLE		SCALE	DESIGN UNITS	THIRD ANGLE PROJECTION
		$\blacktriangledown = 0$ $\triangleleft = 0$	mm	INCH	MM/IN	2:1	METRIC		
		4 PLACES	\pm ---	\pm ---	DRAWN BY	DATE	TITLE SFP+ 10G LOOPBACK ADAPTER		
		3 PLACES	\pm ---	\pm .005	JERWIN	2007/11/07			
2 PLACES	\pm 0.13	\pm ---	CHECKED BY	DATE					
1 PLACE	\pm ---	\pm ---	BRUSSELL	2007/11/07					
ANGULAR $\pm 1/2^\circ$			DRAFT WHERE APPLICABLE MUST REMAIN WITHIN DIMENSIONS		APPROVED BY	DATE	MOLEX INCORPORATED		
					BRUSSELL	2007/11/07	DOCUMENT NO.		SHEET NO.
					MATERIAL NO.		SD-74765-0904		1 OF 3
					SIZE		THIS DRAWING CONTAINS INFORMATION THAT IS PROPRIETARY TO MOLEX INCORPORATED AND SHOULD NOT BE USED WITHOUT WRITTEN PERMISSION		
					A				



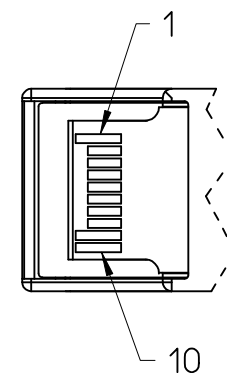
▲ ATTENUATION LEVEL FOR 74765-0904 SHOWN AS EXAMPLE.

ENTER DESCRIPTION EC NO: USY2009-0124 DRWN: JERWIN 2008/09/25 CHKD: BRUSSELL 2008/10/07 APPR: BRUSSELL 2008/10/08	QUALITY SYMBOLS 	GENERAL TOLERANCES (UNLESS SPECIFIED)		DIMENSION STYLE MM/IN		SCALE 2:1	DESIGN UNITS METRIC	THIRD ANGLE PROJECTION		
		4 PLACES	± ---	± ---	DRAWN BY JERWIN	DATE 2007/11/07	TITLE SFP+ 10G LOOPBACK ADAPTER			
		3 PLACES	± ---	± .005	CHECKED BY BRUSSELL	DATE 2007/11/07				
		2 PLACES	± 0.13	± ---	APPROVED BY BRUSSELL	DATE 2007/11/07	MOLEX INCORPORATED			
1 PLACE	± ---	± ---	MATERIAL NO. SEE CHART		DOCUMENT NO. SD-74765-0904	SHEET NO. 2 OF 3				
DRAFT WHERE APPLICABLE MUST REMAIN WITHIN DIMENSIONS			THIS DRAWING CONTAINS INFORMATION THAT IS PROPRIETARY TO MOLEX INCORPORATED AND SHOULD NOT BE USED WITHOUT WRITTEN PERMISSION							

Top View
Cutaway



Bottom
View



Gnd T	20	1	Gnd T
TD-	19	2	Tx Fault
TD+	18	3	Tx Disable
Gnd T	17	4	MOD-DEF(2)
VccT	16	5	MOD-DEF(1)
VccR	15	6	MOD-DEF(0)
Gnd R	14	7	Rate Select
RD+	13	8	LOS
RD-	12	9	Gnd R
Gnd R	11	10	Gnd R

ENTER DESCRIPTION EC NO: USY2009-0124 DRWN: JERWIN 2008/09/25 CHKD: BRUSSELL 2008/10/07 APPR: BRUSSELL 2008/10/08	QUALITY SYMBOLS ▽=0 ◻=0	GENERAL TOLERANCES (UNLESS SPECIFIED)		DIMENSION STYLE MM/IN	SCALE 2:1	DESIGN UNITS METRIC	THIRD ANGLE PROJECTION	
			mm	INCH	DRAWN BY JERWIN	DATE 2007/11/07	TITLE SFP+ 10G LOOPBACK ADAPTER	
		4 PLACES	± ---	± ---	CHECKED BY BRUSSELL	DATE 2007/11/07		
		3 PLACES	± ---	± .005	APPROVED BY BRUSSELL	DATE 2007/11/07	MOLEX INCORPORATED	
2 PLACES	± 0.13	± ---	MATERIAL NO. SEE CHART	DOCUMENT NO. SD-74765-0904	SHEET NO. 3 OF 3			
1 PLACE	± ---	± ---	ANGULAR ±1/2°					
DRAFT WHERE APPLICABLE MUST REMAIN WITHIN DIMENSIONS								