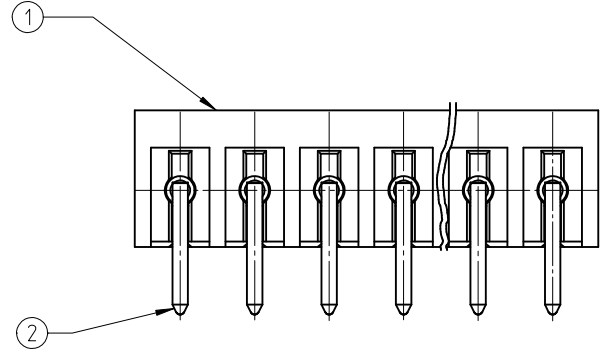
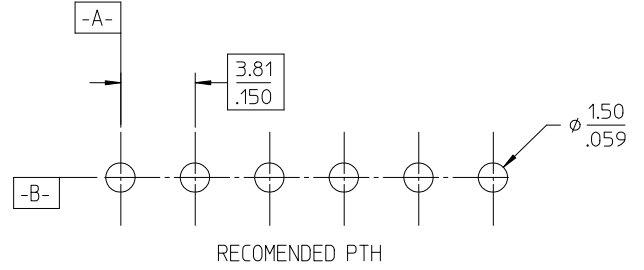
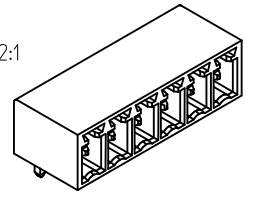


SCALE 2:1



NOTES:

1. MATERIAL: SEE TABLE
2. FINISHES: SEE TABLE
3. SEE DWG SD-38120-003 FOR PRINTING OPTIONS
4. FLASH NOT TO EXCEED .003" THICK AND/OR .015" LONG UNLESS OTHERWISE SPECIFIED
5. "XX" REFERS TO NUMBER OF CIRCUITS
6. ROHS COMPLIANT

2	"XX"	PIN HEADER	BRASS	SEE CHART
1	1	SR HEADER 3.81 CE M0	POLYESTER (PBT)	SEE CHART
ITEM	QTY.	DESCRIPTION	MATERIAL	FINISH

UPDATE TOLERANCE
 EC NO: WNA2010-0588
 DRAWN: JENCINAS 2010/03/23
 CHKD: CLYORK 2010/03/23
 APPR: JMACNEIL 2010/03/30

QUALITY SYMBOLS
 = 0
 = 0

GENERAL TOLERANCES (UNLESS SPECIFIED)

	mm	INCH
4 PLACES	± .005	± .0005
3 PLACES	± .010	± .0010
2 PLACES	± 0.13	± .01
1 PLACE	± 0.3	± .01

ANGULAR ± 2°

DRAFT WHERE APPLICABLE
 MUST REMAIN WITHIN DIMENSIONS

DIMENSION STYLE: MM/IN

SCALE: 4:1

DESIGN UNITS: INCH

THIRD ANGLE PROJECTION

DRAWN BY	DATE
JENCINAS	2010/03/23
CHECKED BY	DATE
CLYORK	2010/03/23
APPROVED BY	DATE
JMACNEIL	2010/03/29

MATERIAL NO. SEE CHART

TITLE: HEADER, RA, CLOSED ENDS ASSY, 3.81/.150 CENTER

MOLEX INCORPORATED

DOCUMENT NO. SD-39900-006

SHEET NO. 1 OF 2

THIS DRAWING CONTAINS INFORMATION THAT IS PROPRIETARY TO MOLEX INCORPORATED AND SHOULD NOT BE USED WITHOUT WRITTEN PERMISSION

No. OF CIRCUITS	DIM "A"		DIM "B"		MATERIAL NO.	MATERIAL NO.	MATERIAL NO.
	±0.25 mm	±.010 Inch	mm	Inch	TIN PLATED	GOLD PLATED	GREEN BARRIER
2	8.48	0.334	3.81	0.150	399000702	399010702	399003702
3	12.29	0.484	7.62	0.300	399000703	399010703	399003703
4	16.10	0.634	11.43	0.450	399000704	399010704	399003704
5	19.91	0.784	15.24	0.600	399000705	399010705	399003705
6	23.72	0.934	19.05	0.750	399000706	399010706	399003706
7	27.53	1.084	22.86	0.900	399000707	399010707	399003707
8	31.34	1.234	26.67	1.050	399000708	399010708	399003708
9	35.15	1.384	30.48	1.200	399000709	399010709	399003709
10	38.96	1.534	34.29	1.350	399000710	399010710	399003710
11	42.77	1.684	38.10	1.500	399000711	399010711	399003711
12	46.58	1.834	41.91	1.650	399000712	399010712	399003712
13	50.39	1.984	45.72	1.800	399000713	399010713	399003713
14	54.20	2.134	49.53	1.950	399000714	399010714	399003714
15	58.01	2.284	53.34	2.100	399000715	399010715	399003715
16	61.82	2.434	57.15	2.250	399000716	399010716	399003716
17	65.63	2.584	60.96	2.400	399000717	399010717	399003717
18	69.44	2.734	64.77	2.550	399000718	399010718	399003718
19	73.25	2.884	68.58	2.700	399000719	399010719	399003719
20	77.06	3.034	72.39	2.850	399000720	399010720	399003720
21	80.87	3.184	76.20	3.000	399000721	399010721	399003721

SEE SHEET ONE EC NO: WNA2010-0588 DRAWN: JENCINAS 2010/03/23 CHECKED: CLYORK 2010/03/23 APPR: JMACNEIL 2010/03/30	QUALITY SYMBOLS	GENERAL TOLERANCES (UNLESS SPECIFIED)	DIMENSION STYLE	SCALE	DESIGN UNITS	THIRD ANGLE PROJECTION
	▼=0 ▽=0	mm INCH 4 PLACES ± --- ± --- 3 PLACES ± --- ± .005 2 PLACES ± 0.13 ± .01 1 PLACE ± 0.3 ± --- ANGULAR ± 2 °	MM/IN	4:1	INCH	DRAWN BY: JENCINAS DATE: 2010/03/23 CHECKED BY: CLYORK DATE: 2010/03/23 APPROVED BY: JMACNEIL DATE: 2010/03/29
	DRAFT WHERE APPLICABLE MUST REMAIN WITHIN DIMENSIONS	SEE CHART	TITLE: HEADER , RA, CLOSED ENDS ASSY, 3.81/.150 CENTER MOLEX INCORPORATED		DOCUMENT NO. SD-39900-006	SHEET NO. 2 OF 2
	SIZE B	THIS DRAWING CONTAINS INFORMATION THAT IS PROPRIETARY TO MOLEX INCORPORATED AND SHOULD NOT BE USED WITHOUT WRITTEN PERMISSION				