

MATERIALS AND FINISHES:

BODY, COUPLING NUT: STAINLESS STEEL
PASSIVATED

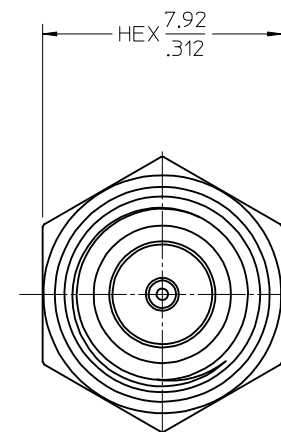
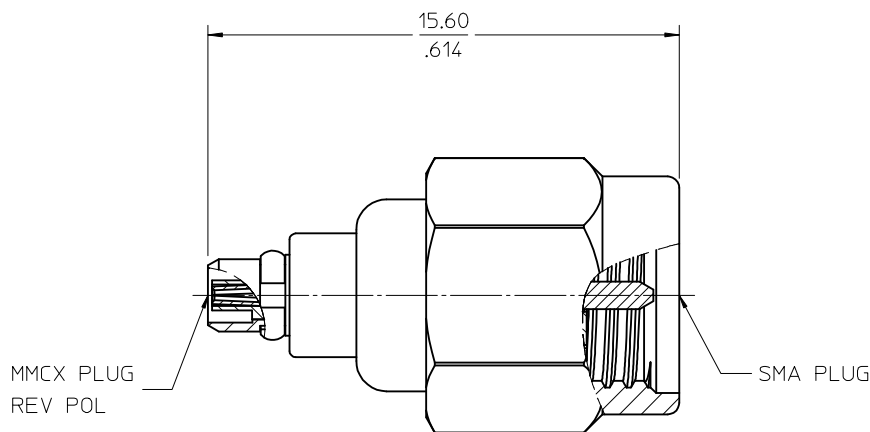
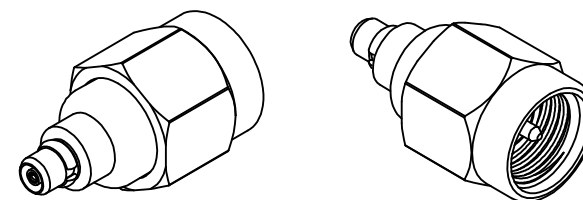
CENTER CONTACT: BERYLLIUM COPPER
PLATED GOLD

INSULATOR: TEFLON

GASKET: SILICONE RUBBER

SNAP RING: BERYLLIUM COPPER
PLATED GOLD

C RING: BERYLLIUM COPPER



73386-0320	BAG
PART NO.	PACKAGING

CHG: REGENERATED DWG PER RF15-E417 EC NO: URF2016-0449 DRAWN: YEH CHKD: YEH APPR: YCHENG 2015/12/15 2015/12/16	QUALITY SYMBOLS ▽=0 ▽=0 ▽=0	GENERAL TOLERANCES (UNLESS SPECIFIED)	DIMENSION STYLE IN/MM	SCALE 8:1	DESIGN UNITS INCH	THIRD ANGLE PROJECTION																	
		<table border="1"> <thead> <tr> <th></th> <th>mm</th> <th>INCH</th> </tr> </thead> <tbody> <tr> <td>4 PLACES</td> <td>± .004</td> <td>± .0001</td> </tr> <tr> <td>3 PLACES</td> <td>± .005</td> <td>± .0002</td> </tr> <tr> <td>2 PLACES</td> <td>± .007</td> <td>± .0003</td> </tr> <tr> <td>1 PLACE</td> <td>± .010</td> <td>± .0004</td> </tr> <tr> <td>0 PLACE</td> <td>± .015</td> <td>± .0006</td> </tr> </tbody> </table>		mm	INCH	4 PLACES	± .004	± .0001	3 PLACES	± .005	± .0002	2 PLACES	± .007	± .0003	1 PLACE	± .010	± .0004	0 PLACE	± .015	± .0006	DRAWN BY GH	DATE 2015/12/16	TITLE BSA MMCX PLUG REV POL TO SMA PLUG 50 OHMS BSA-MMCXP/SMAP
			mm	INCH																			
		4 PLACES	± .004	± .0001																			
3 PLACES	± .005	± .0002																					
2 PLACES	± .007	± .0003																					
1 PLACE	± .010	± .0004																					
0 PLACE	± .015	± .0006																					
ANGULAR ±1/2° DRAFT WHERE APPLICABLE MUST REMAIN WITHIN DIMENSIONS	MATERIAL NO. SEE TABLE	DATE 2000/05/18	DOCUMENT NO. SD-73386-032	SHEET NO. 1 OF 1																			
A1	REV	SIZE C	THIS DRAWING CONTAINS INFORMATION THAT IS PROPRIETARY TO MOLEX INCORPORATED AND SHOULD NOT BE USED WITHOUT WRITTEN PERMISSION																				