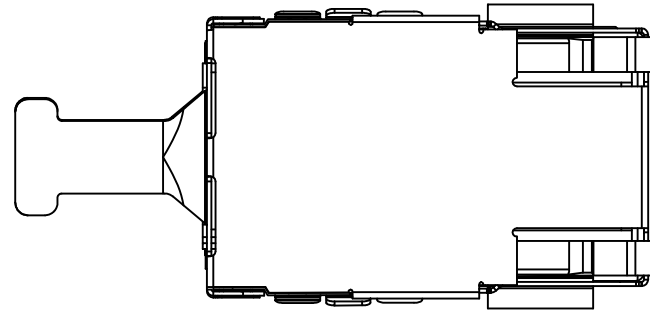
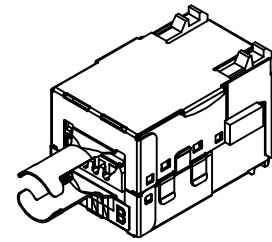


2

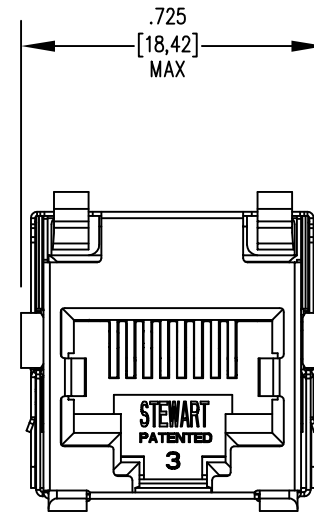
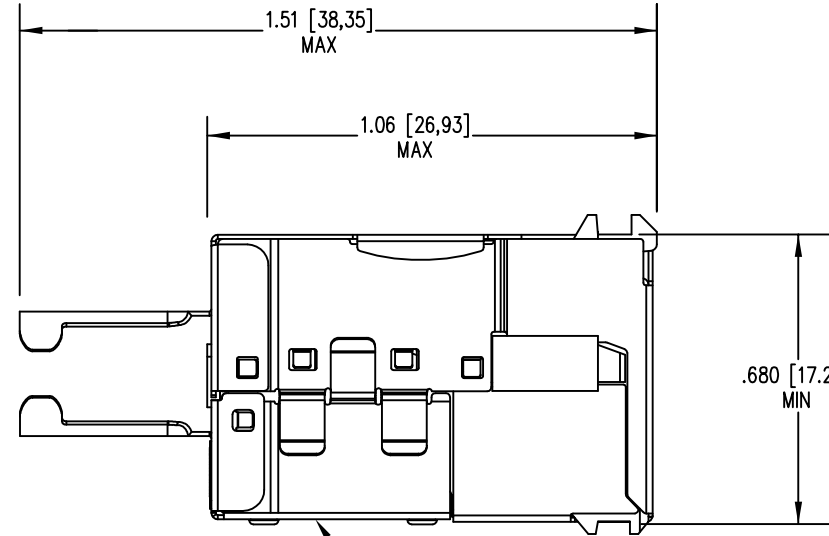
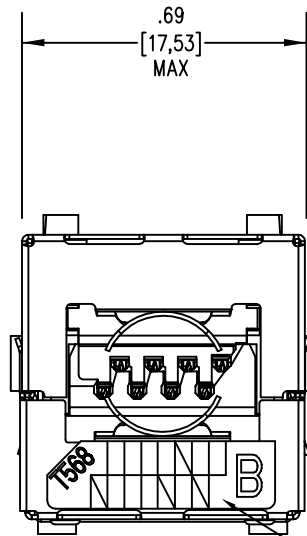
1

DATE	REV	ECN	APP'D. BY
4-20-09	A2	8715	TRM
6-27-12	A3	9527	SMN
1-20-15	A4	10227	TRM



B

B



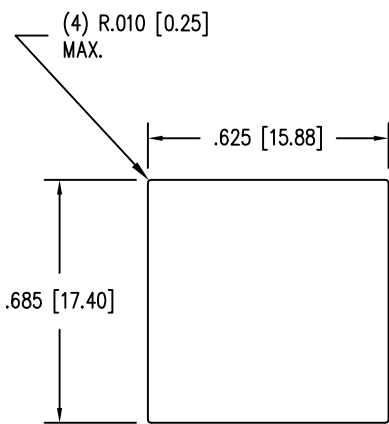
WIRING IDENTIFICATION LABEL

LOAD BAR

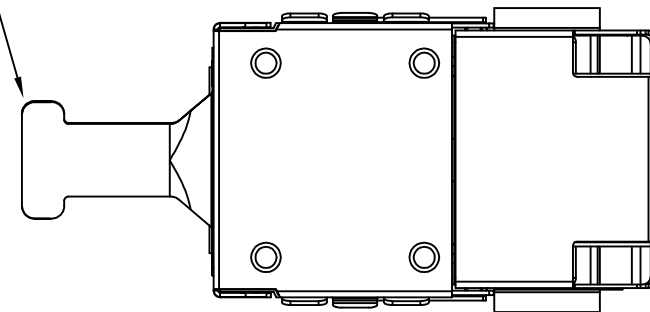
NOTES:

- CONNECTOR MATERIALS:  
HOUSING: THERMOPLASTIC UL94 V-0  
CONTACTS/SHIELD: COPPER ALLOY  
SHIELD PLATING: NICKEL OR TIN  
CONTACT PLATING: SELECTIVE GOLD IN CONTACT AREA  
SEE CHART FOR PART NUMBER
- FOR PRODUCT SPECIFICATIONS SEE PRO26-01.
- DIMENSIONS AND TOLERANCES COMPLY WITH FCC/CFR 47, PART 68.

WIRE STRAIN RELIEF



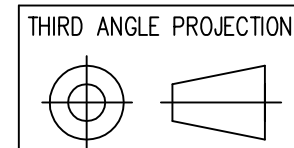
RECOMMENDED PANEL OPENING  
.074 [1.88] MAXIMUM PANEL THICKNESS



50 MICRO-INCHES [1.27um]	SS-82100-003
CONTACT PLATING IN MATING AREA	PART NUMBER

A

A



1118 Susquehanna Trail South  
Glen Rock, PA 17327-9199  
(717) 235-7512  
<http://www.stewartconnector.com>

DO NOT SCALE DRAWING  
DRAWING IS SUBJECT TO CHANGE WITHOUT NOTICE

TITLE: SHIELDED CABLE READY CAT5e JACK  
(SHOWN IN TERMINATED CONDITION)

DIMENSIONS: INCHES [METRIC]  
UNLESS OTHERWISE SPECIFIED  
TOLERANCES ARE ±.005 [0.13]  
ANGLES ARE ± 1°

THIS DRAWING AND THE SUBJECT MATTER SHOWN THEREON ARE CONFIDENTIAL AND THE PROPRIETARY PROPERTY OF STEWART CONNECTOR AND SHALL NOT BE REPRODUCED, COPIED, OR USED IN ANY MANNER WITHOUT PRIOR WRITTEN CONSENT OF STEWART CONNECTOR. THIS PRODUCT MAY BE PROTECTED BY ONE OR MORE OF THE FOLLOWING US PATENTS: 5791942 6217391 6368159 6419526 6602097 687722 6964587 7048590 7086909 7568950 7686650 OTHER PATENTS MAY BE PENDING.

DRN BY: DHG	DATE 12-08-00
APPD BY: DEC	DATE 01-11-01
DWG NO. CT820008	REV. A4

SHEET NO. 1 OF 1



REV. 6/3/05

2

1

AutoCAD