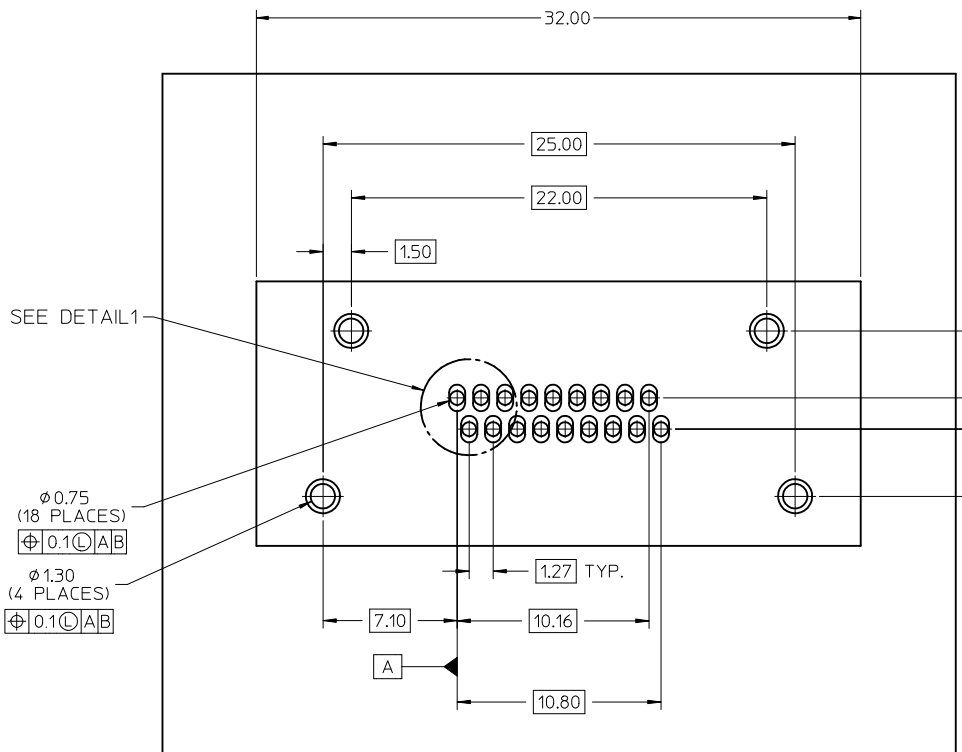


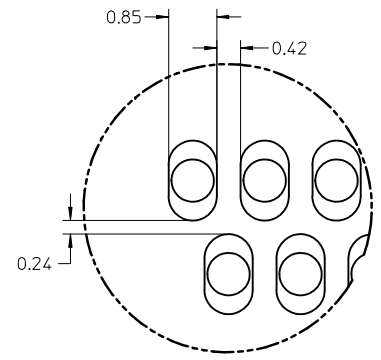
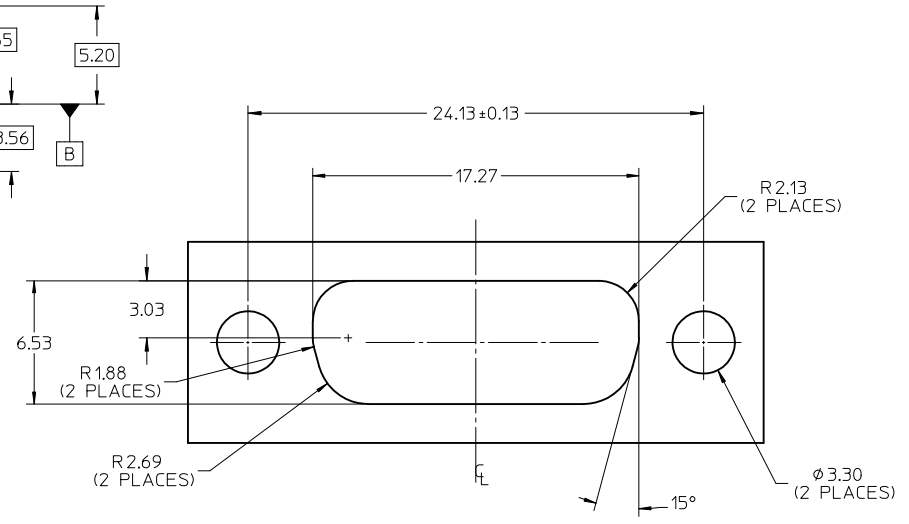
- NOTES:**
- MATERIALS:**
 SHIELD: DEEP DRAWN STEEL
 HOUSING: GLASS FILLED POLYMER, BLACK, UL 94V-0
 CONTACTS: COPPER ALLOY
 - PLATING:**
 SHIELD: 2.54 MICROMETERS BRIGHT TIN (Sn) MINIMUM OVER 1.27 MICROMETERS NICKEL (Ni) MINIMUM OVER COPPER (Cu) UNDERPLATE OVERALL.
 TERMINAL: SELECTIVE GOLD (Au) IN CONTACT AREA, THICKNESS: 0.38 MICROMETERS MINIMUM, SELECTIVE TIN (Sn) IN TAIL AREA, THICKNESS 2.54 MICROMETERS MINIMUM, NICKEL (Ni) UNDERPLATE OVERALL.
 - PARTS ARE PACKAGED IN TUBES. REFER TO PACKAGING SPECIFICATION PK-74960-995.
 - REFER TO SHEET 2 FOR RECOMMENDED PCB LAYOUT AND PANEL CUT-OUT.
 - PRODUCT CONFORMS TO MOLEX PRODUCT SPECIFICATION PS-74150-001.
 - OPERATING TEMP RANGE: -40° TO 105°C

ADDED DATE CODE EC NO: UCP2011-0882 DRWN: JJANTELEZ10 2009/12/22 CHKD: MBANAKIS 2010/10/29 APPR: MBANAKIS	QUALITY SYMBOLS =0 =0	GENERAL TOLERANCES (UNLESS SPECIFIED)		DIMENSION STYLE MM ONLY	SCALE 5:1	DESIGN UNITS METRIC	THIRD ANGLE PROJECTION
		4 PLACES ± --- ± --- 3 PLACES ± --- ± --- 2 PLACES ± 0.13 ± --- 1 PLACE ± 0.25 ± ---	mm INCH ± --- ± --- ± 0.13 ± --- ± 0.25 ± ---	DRAWN BY DATE JJANTELEZ10 06/05/2008	CHECKED BY DATE	TITLE VERTICAL TDP FOR PCIe 1X	
APPROVED BY DATE MBANAKIS 2010/10/29		MATERIAL NO. 766410001		MOLEX INCORPORATED		SHEET NO. 1 OF 3	
DRAFT WHERE APPLICABLE MUST REMAIN WITHIN DIMENSIONS		SIZE 		THIS DRAWING CONTAINS INFORMATION THAT IS PROPRIETARY TO MOLEX INCORPORATED AND SHOULD NOT BE USED WITHOUT WRITTEN PERMISSION			



SEE DETAIL1

- Ø 0.75
(18 PLACES)
⊕ 0.1 ⊙ AB
- Ø 1.30
(4 PLACES)
⊕ 0.1 ⊙ AB



DETAIL1
SCALE 15:1

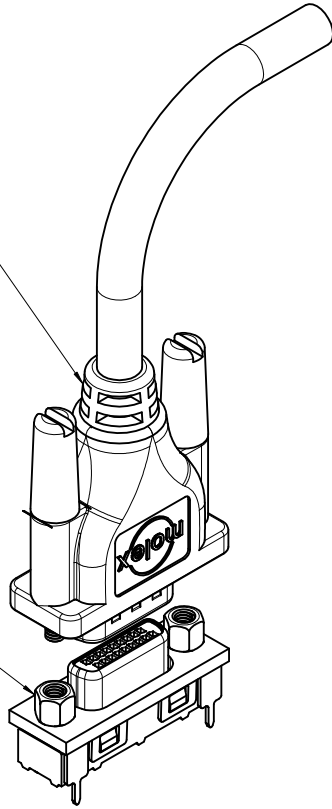
SEE SHEET 1 EC NO: UCP2011-0882 DRAWN: JANTELEZIO 2009/12/22 CHKD: MBANAKIS 2010/10/29 APPR: MBANAKIS	QUALITY SYMBOLS ▽=0 ▽=0	GENERAL TOLERANCES (UNLESS SPECIFIED) <table border="1"> <thead> <tr> <th></th> <th>mm</th> <th>INCH</th> </tr> </thead> <tbody> <tr> <td>4 PLACES</td> <td>± 0.25</td> <td>± 0.010</td> </tr> <tr> <td>3 PLACES</td> <td>± 0.20</td> <td>± 0.008</td> </tr> <tr> <td>2 PLACES</td> <td>± 0.13</td> <td>± 0.005</td> </tr> <tr> <td>1 PLACE</td> <td>± 0.25</td> <td>± 0.010</td> </tr> </tbody> </table>		mm	INCH	4 PLACES	± 0.25	± 0.010	3 PLACES	± 0.20	± 0.008	2 PLACES	± 0.13	± 0.005	1 PLACE	± 0.25	± 0.010	DIMENSION STYLE MM ONLY DRAWN BY: JJANTELEZIO DATE: 06/05/2008 CHECKED BY: _____ DATE: _____	SCALE 5:1 DESIGN UNITS METRIC THIRD ANGLE PROJECTION	TITLE VERTICAL TDP FOR PCIE 1X
		mm	INCH																	
	4 PLACES	± 0.25	± 0.010																	
	3 PLACES	± 0.20	± 0.008																	
2 PLACES	± 0.13	± 0.005																		
1 PLACE	± 0.25	± 0.010																		
APPROVED BY: MBANAKIS DATE: 2010/10/29 MATERIAL NO.	APPROVED BY: _____ DATE: _____ MATERIAL NO.	MOLEX INCORPORATED DOCUMENT NO.	SHEET NO. 2 OF 3																	
DRAFT WHERE APPLICABLE MUST REMAIN WITHIN DIMENSIONS	SEE SHEET 1	SD-76641-001	THIS DRAWING CONTAINS INFORMATION THAT IS PROPRIETARY TO MOLEX INCORPORATED AND SHOULD NOT BE USED WITHOUT WRITTEN PERMISSION																	

STANDARD CONFIGURATION

OPTIONAL CONFIGURATION

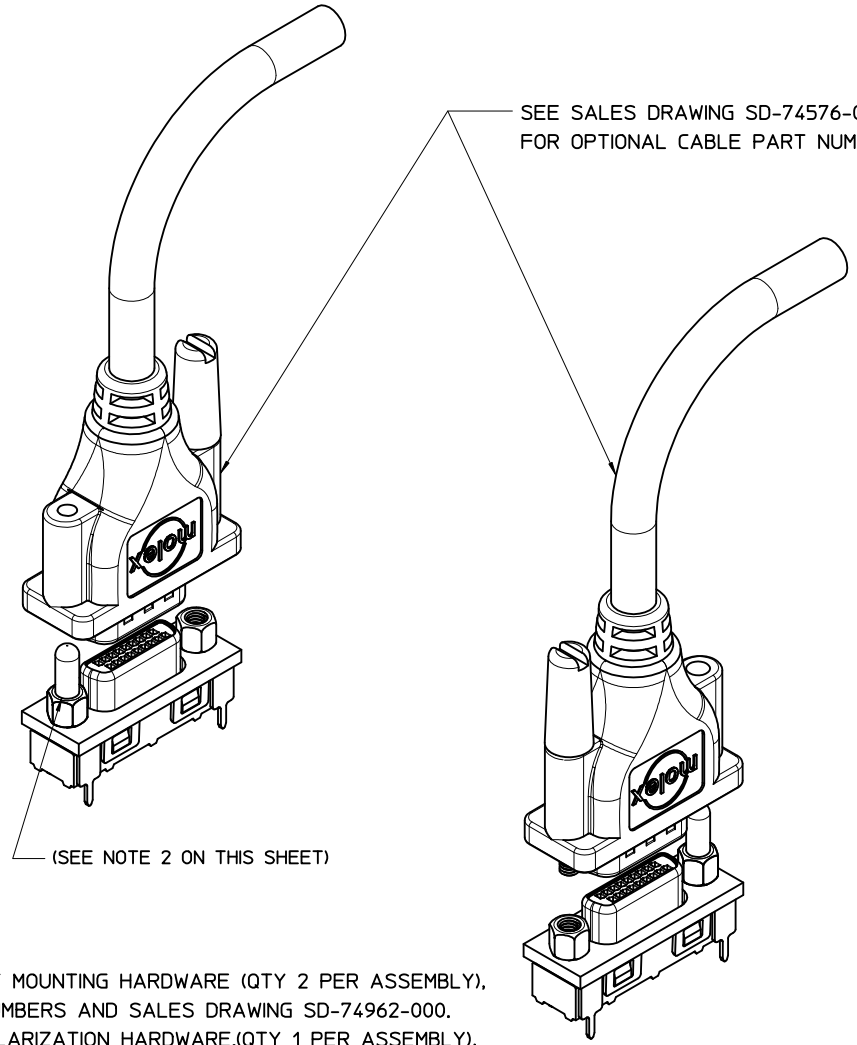
SEE SALES DRAWING SD-74576-000
FOR STANDARD CABLE PART NUMBER

(SEE NOTE 1 ON THIS SHEET)

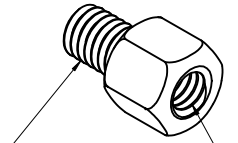
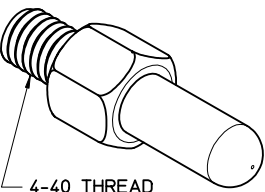


SEE SALES DRAWING SD-74576-0300
FOR OPTIONAL CABLE PART NUMBER

(SEE NOTE 2 ON THIS SHEET)



1. RECOMMENDED JACK POST MOUNTING HARDWARE (QTY 2 PER ASSEMBLY), SEE CHART FOR ITEM NUMBERS AND SALES DRAWING SD-74962-000.
2. OPTIONAL JACK POST POLARIZATION HARDWARE.(QTY 1 PER ASSEMBLY), SEE CHART FOR ITEM NUMBER AND SALES DRAWING SD-74962-100.

RECOMMENDED JACKPOST INTERNAL THREAD OPTIONS (SEE NOTE 1 ON THIS SHEET)		OPTIONAL JACKPOST POLARIZATION HARDWARE (SEE NOTE 2 ON THIS SHEET)
4-40	M3	
74962-0003	74962-0004	74962-0200
		
4-40 THREAD INTERNAL THREAD	4-40 THREAD	

SEE SHEET 1 EC NO: UCP2011-0882 DRAWN: JANTELEZIO 2009/12/22 CHKD: APPR: MBANAKIS 2010/10/29 REV	QUALITY SYMBOLS	GENERAL TOLERANCES (UNLESS SPECIFIED)	DIMENSION STYLE MM ONLY	SCALE 2:1	DESIGN UNITS METRIC	THIRD ANGLE PROJECTION
	▽=0	mm INCH	DRAWN BY JJANTELEZIO	DATE 06/05/2008	TITLE VERTICAL TDP FOR PCIe 1X	
	▽=0	4 PLACES ± --- ± ---	CHECKED BY	DATE	APPROVED BY MBANAKIS	
	▽=0	3 PLACES ± --- ± ---	DATE 2010/10/29		DATE	
		2 PLACES ±0.13 ± ---	APPROVED BY DATE		MOLEX INCORPORATED	
		1 PLACE ±0.25 ± ---	MATERIAL NO.		DOCUMENT NO.	
		ANGULAR ±1/2°	DATE		SHEET NO.	
DRAFT WHERE APPLICABLE MUST REMAIN WITHIN DIMENSIONS		SEE SHEET 1		SD-76641-001		3 OF 3
THIS DRAWING CONTAINS INFORMATION THAT IS PROPRIETARY TO MOLEX INCORPORATED AND SHOULD NOT BE USED WITHOUT WRITTEN PERMISSION						