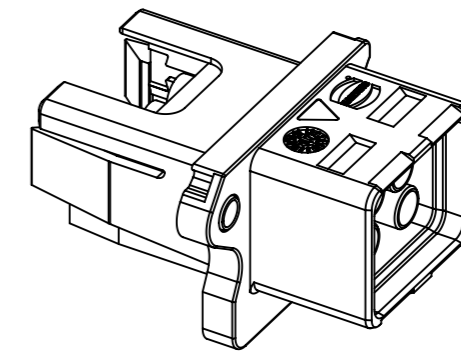
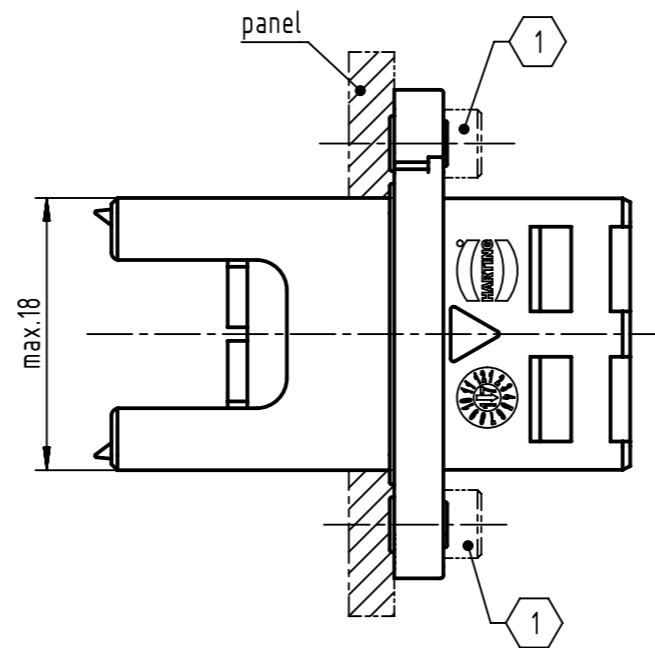


connector pitch on panel:
axis X = 27mm and axis Y = 21mm
panel thickness = max. 5.5mm



further information see: DS 09466100801

1 2x M2.5; screws acc. to ISO 4762;
please order separately; bolting torque 0.3Nm - 0.5Nm

	All rights reserved Department EC PD - DE	All Dimensions in mm Original Size DIN A3			Scale 2:1	Free size tol.	Ref. Sub.
		HARTING Electronics GmbH D-32339 Espelkamp	Created by HASELOH	Inspected by LUECKEMEIERM	Standardisation HOFFMANN	Date 2017-04-04	State Final Release
Title HARTING PushPull V4 Compact Housing 48V/12A							Doc-Key / ECM-Nr. 100671830/UGD/000/B 500000117442
Type TB					Number 09462454420		Rev. B
							Page 1/1