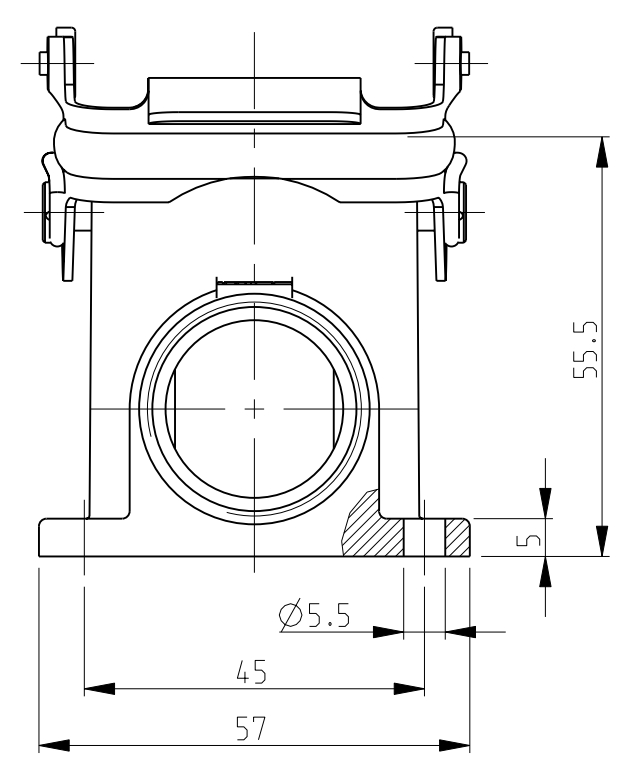
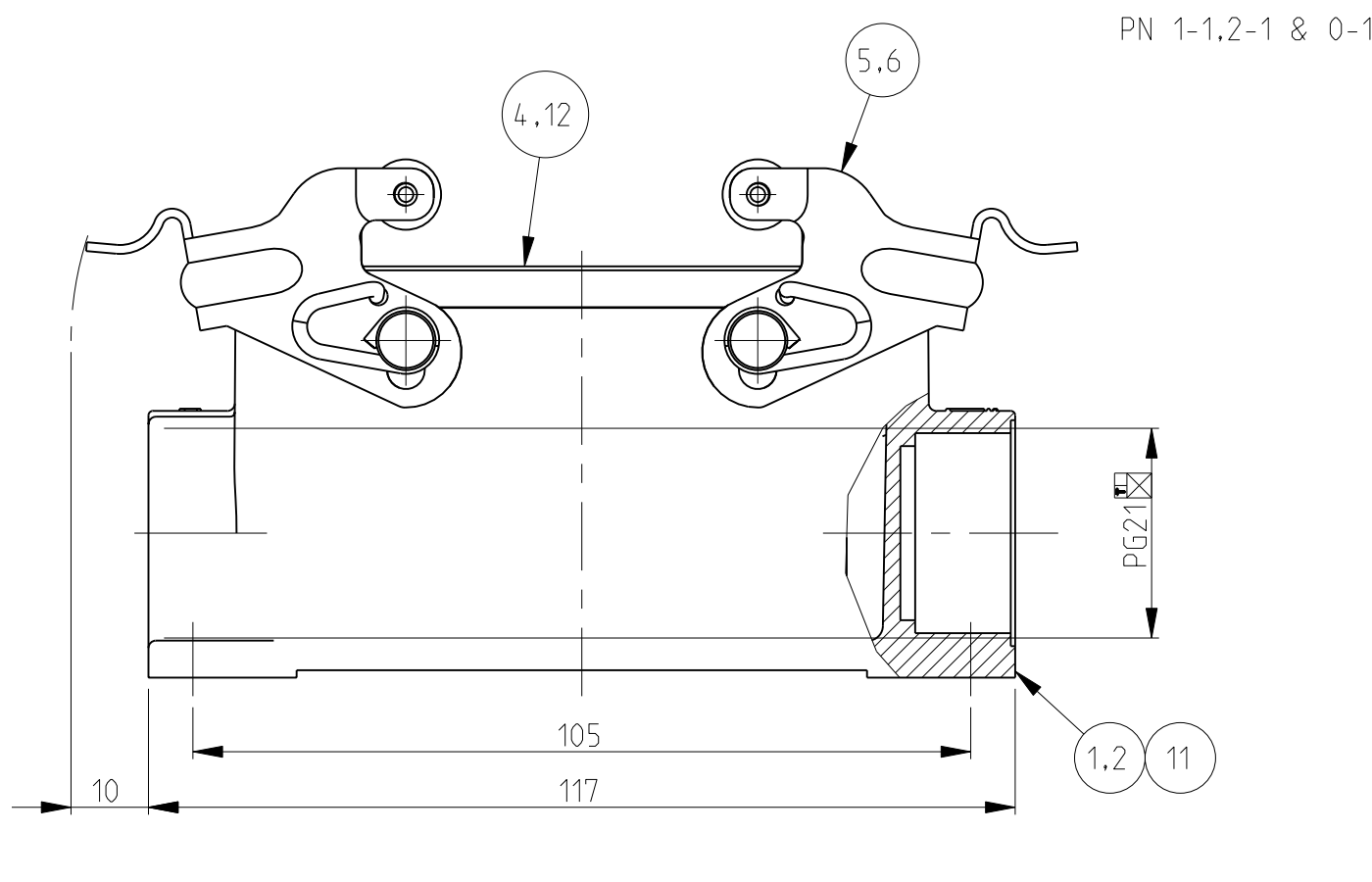
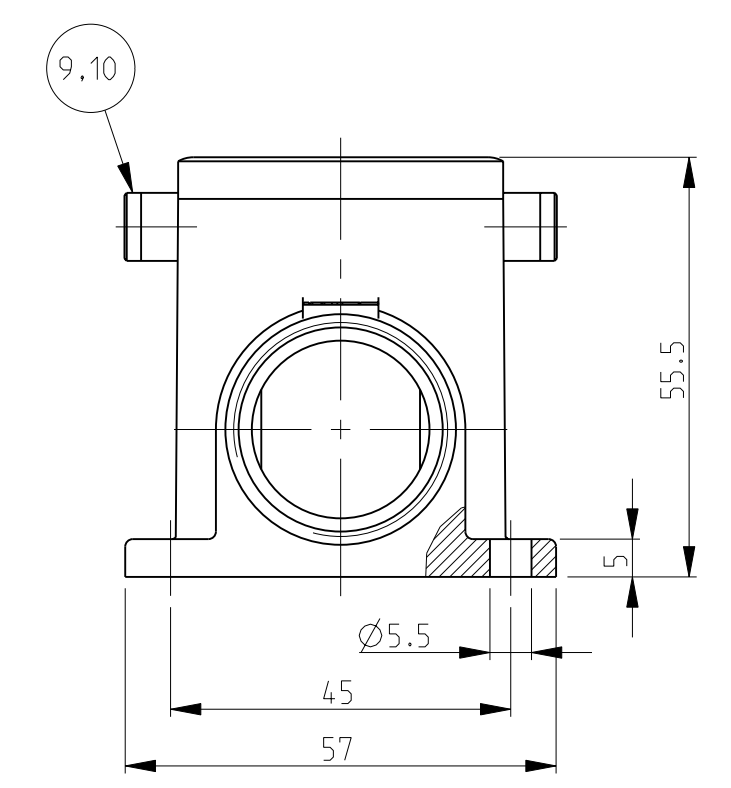
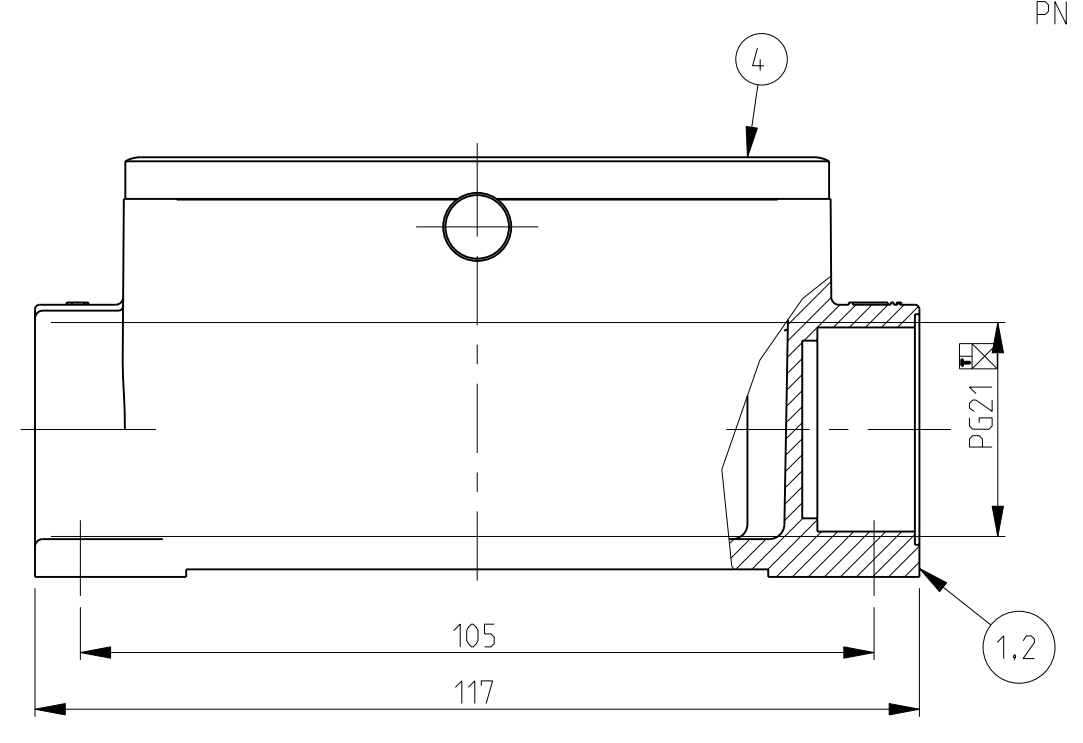
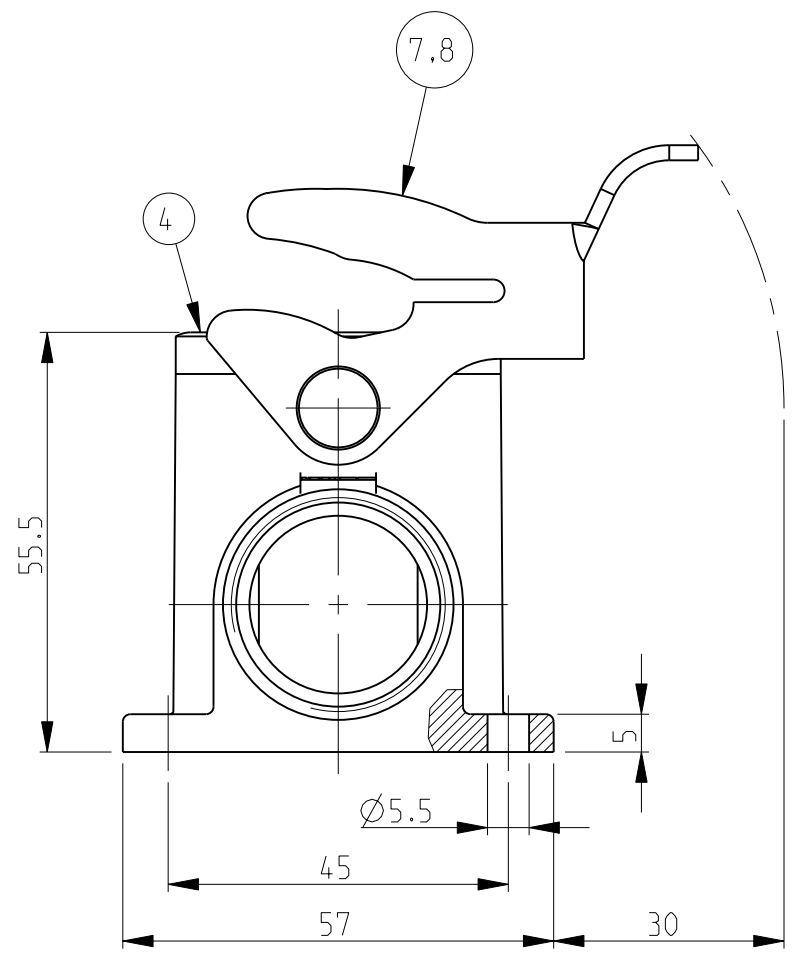
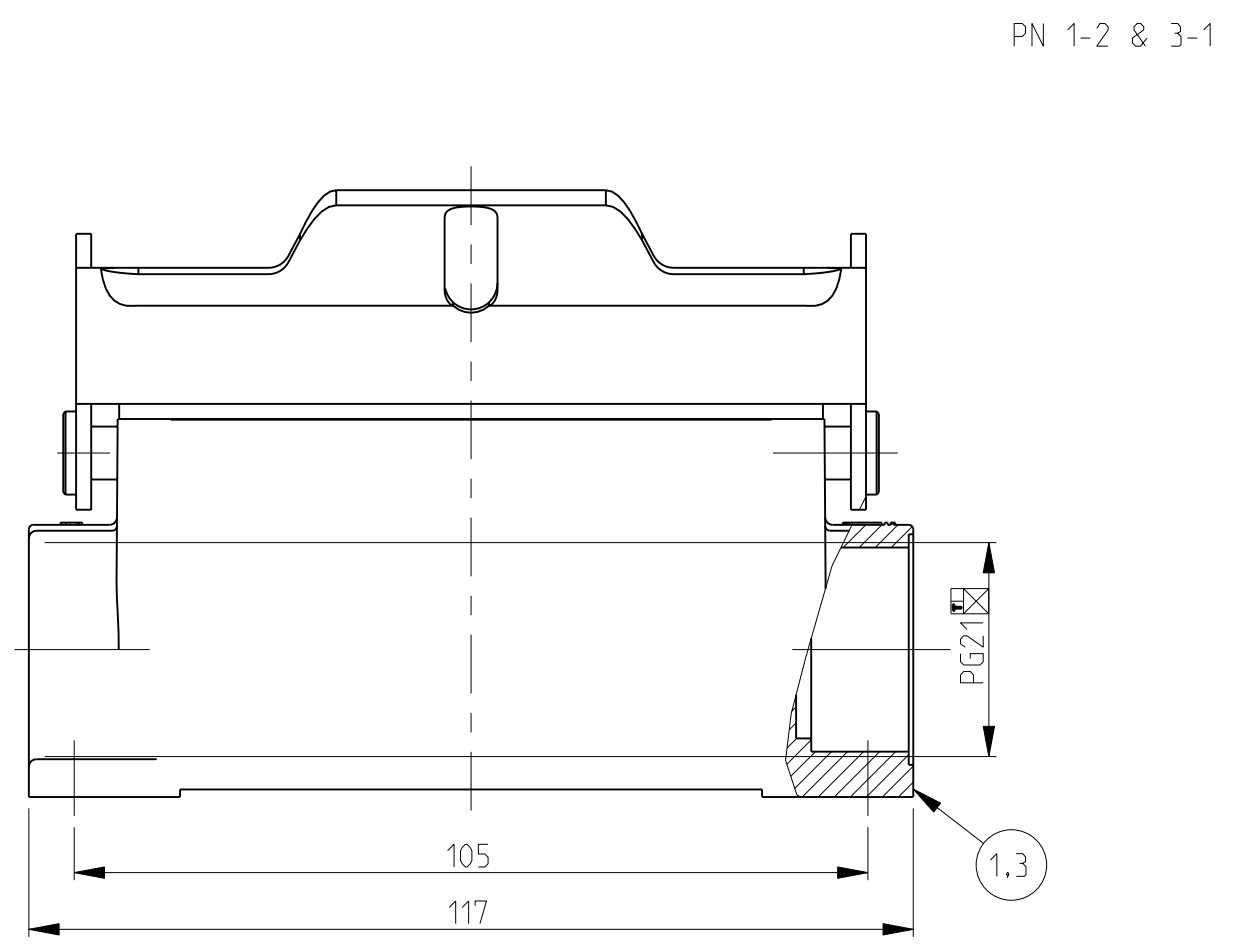
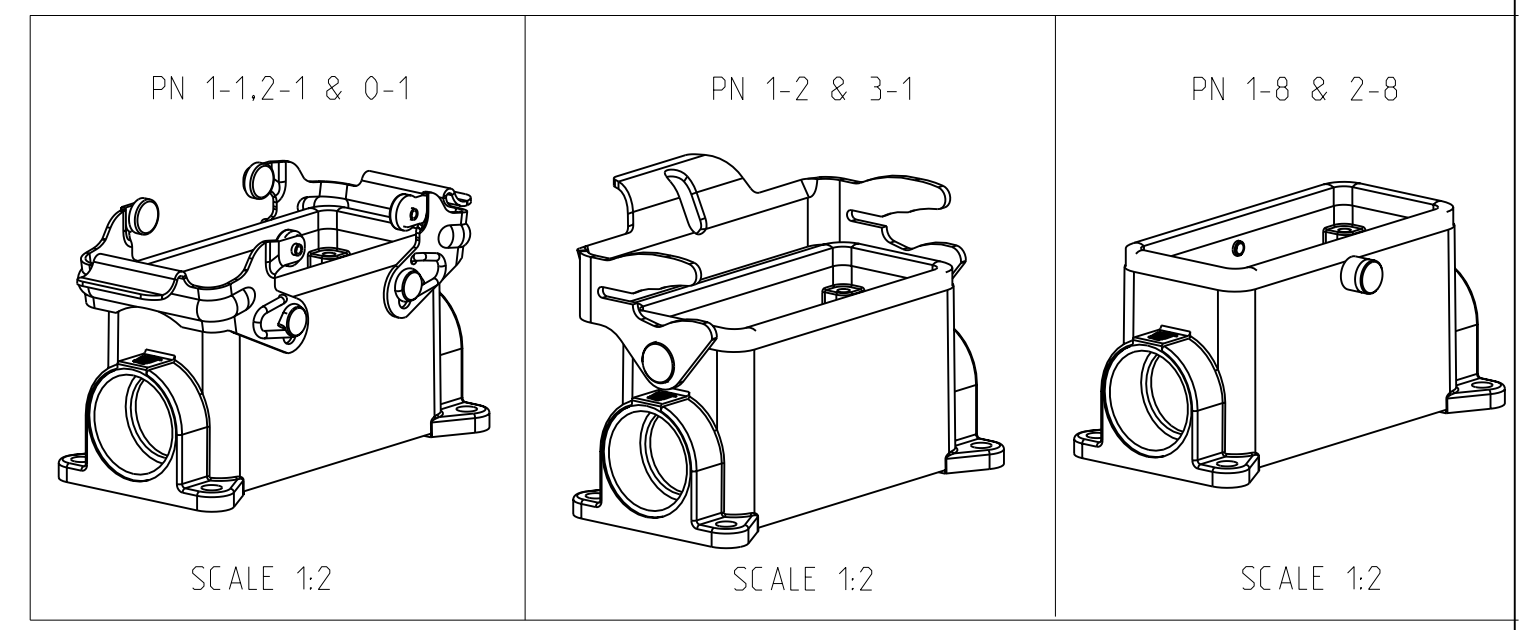


LOC		DIST		REVISIONS			
P	LTB	DESCRIPTION	DATE	DWN	APVD		
AB		Released as per ECR-08-017827	16.July.2008	SP	TS		



- NOTES.
- Material:Housing:Aluminium Diecasting Alloy
Seals:Neoprene,Viton
 - Surface:Varnish
-Aluminium Oxide +Varnish Black
-Without varnish
-Grey
 - Varnish on the inside not necessary
 - Packaging
Quantity 5 Pieces in a box



QTY	DESCRIPTION	MATERIAL	SURFACE	COLOR	ITEM NO	REMARKS
1	Profile seal	Viton		Light grey	12	
1	Surface mounted housing side entry HB-K	Aluminium		Blank	11	
2	ZB-Clip bolt	Stainless steel			10	
2	ZB-Clip bolt	Steel	Zinc plated		9	
1	LB-Side clip	Stainless steel			8	
1	LB-Side clip	Steel	Zinc plated		7	
2	VS-Locking Clip	Stainless steel			6	
2	VS-Locking Clip	Steel	Zinc plated		5	
1	Profile seal	Neoprene		Black	4	
1	Surface mounted housing side entry HB-K	Aluminium		Blank	3	
1	Surface mounted housing side entry HB-K	Aluminium	Aluminium oxide	Black	2	
1	Surface mounted housing side entry HB	Aluminium		Grey	1	

ORDERING TEXT
 HB.16.SG-VS.1.21.Z
 HB-K.16.SG-VS.1.21.Z
 HB.16.SG-LB.1.21.Z
 HB-Z.16.SG-ZVGR.1.21.Z
 HB-K/Z.16.SG-ZVGR.1.21.Z
 HB.16.SG-LB.1.21.Z-SO
 HB.16.SG-VS.1.21.Z-V

THIS DRAWING IS UNPUBLISHED. RELEASED FOR PUBLICATION .1999. ALL RIGHTS RESERVED.

DIMENSIONS:	TOLERANCES UNLESS OTHERWISE SPECIFIED:	DWN	Schneider	05.03.1999	Tyco Electronics,AMP.GmbH 0-53819,Neunkirchen,Germany
mm	0 PLC ± 1 PLC ± 2 PLC ± 3 PLC ± 4 PLC ± ANGLES ±	CHK	Schweiger	05.03.1999	
MATERIAL	FINISH	APVD			NAME
					PRODUCT SPEC
					108-74001.74003
					APPLICATION SPEC
					114-74001.74004
					WEIGHT
					CUSTOMER DRAWING

SCALE 1:1 SHEET 1 OF 1 REV A8