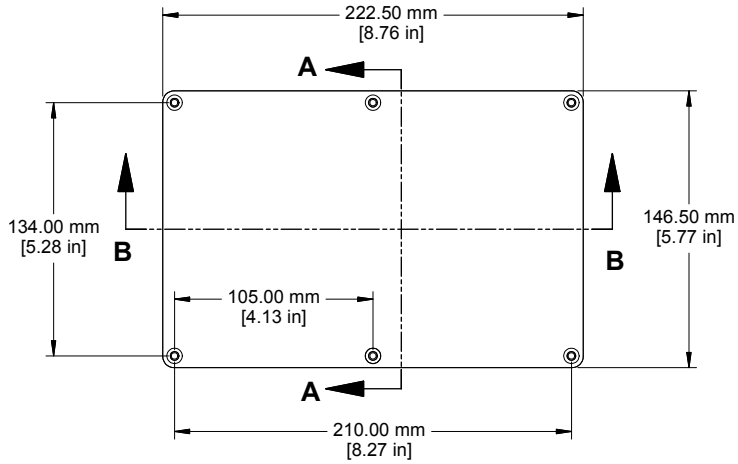
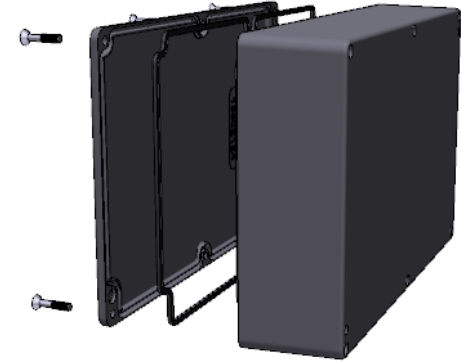
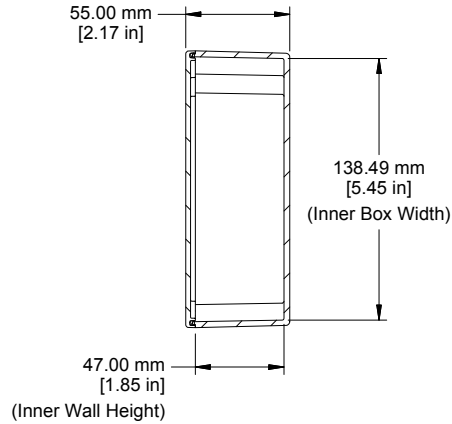


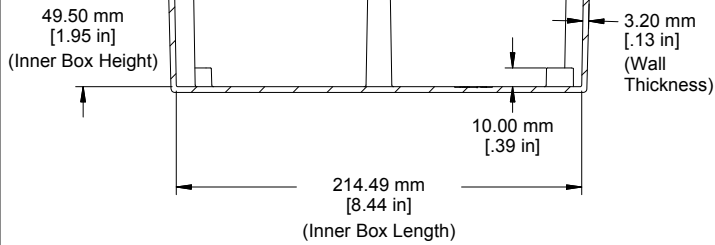
Top View of Assembly



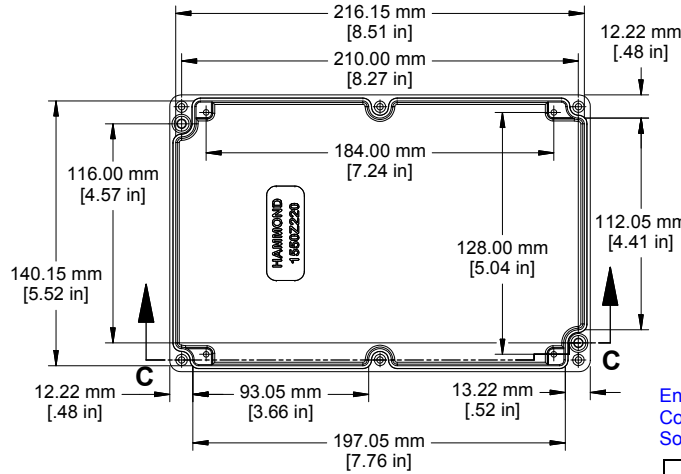
SECTION A-A End View of Assembly



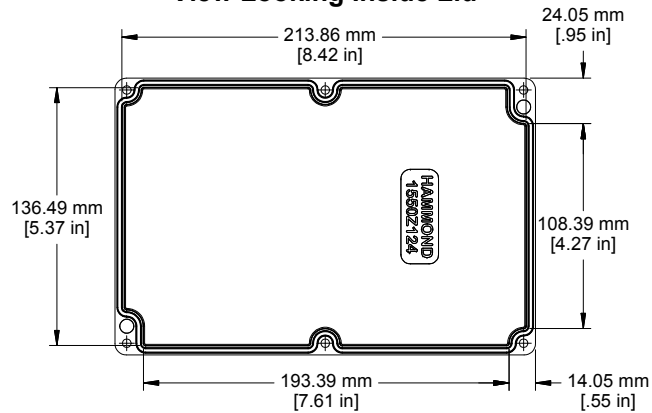
SECTION B-B Side View of Assembly



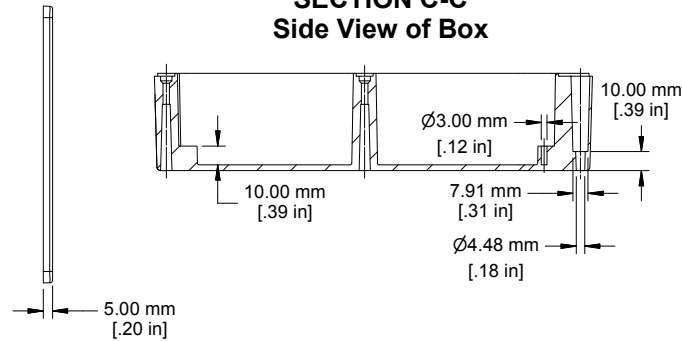
Top View Looking Inside Box



View Looking Inside Lid



SECTION C-C Side View of Box



Enclosures can be Factory Modified (Milling, Drilling, Printing etc.)
Contact Factory mjm@hammondmfg.com for quotes
Solid models of this enclosure available in STEP or IGES.

NOTES	
Purchased assembly includes enclosure, M4x20 lid screws	
Gasket - Pre-formed Silicone Rubber	
Cover screws should be torqued to 5-7.5 lbf.in (50-75 cN.m)	

1550Z124	
PART NUMBERS	
Unfinished	1550Z124
Black Textured Powder Paint - RAL 9011	1550Z124BK



**HAMMOND
MANUFACTURING™**

1550Z124

www.hammondmfg.com