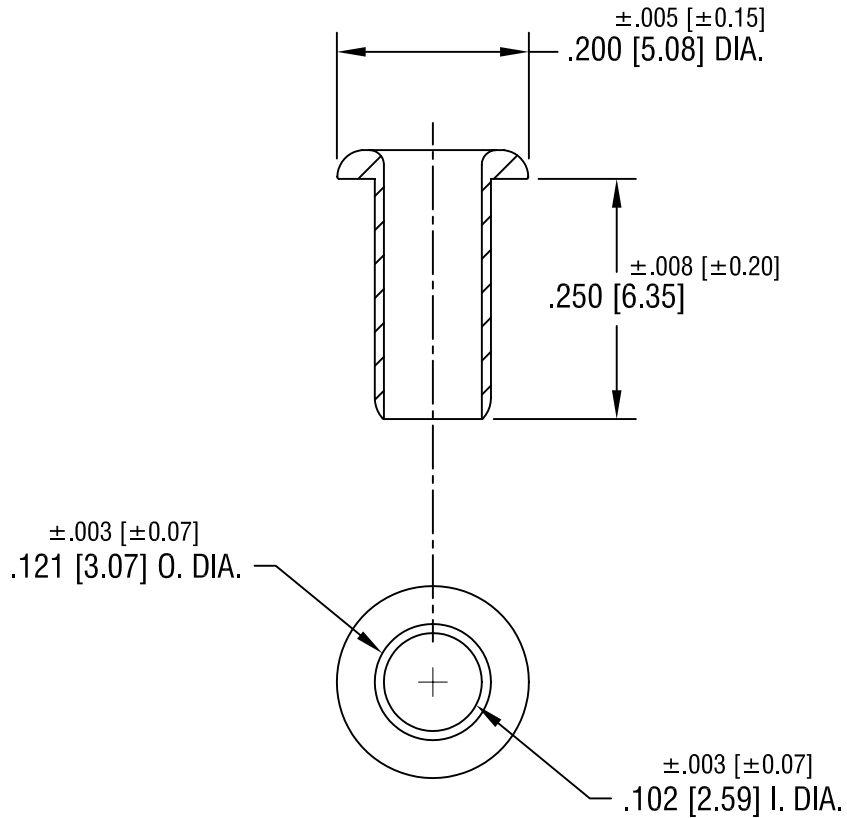


THIS DOCUMENT IS THE PROPERTY OF  
KEYSTONE ELECTRONICS CORP. AND  
SHALL NOT BE REPRODUCED, DISTRIBUTED  
OR USED AS A BASIS FOR MANUFACTURE  
WITHOUT PRIOR WRITTEN PERMISSION  
FROM KEYSTONE ELECTRONICS CORP.



<b>KEYSTONE ELECTRONICS CORP.</b>			
ASTORIA, N.Y. 11105-2017			
PART NAME			
WIDE ROLL EYELET			
MATERIAL			
.0095 [0.24] TH'K BRASS			
FINISH		DRN BY	DATE
TIN PLATE		BOONE	6.14.94
		APPD	SCALE
		LN	5X
TOLERANCES	INCH	[MM]	CODE
DECIMAL	$\pm .005$	$[\pm 0.15]$	C/M
ANGULAR	$\pm 1^\circ$		
UNLESS OTHERWISE SPECIFIED			DWG NO.
			<b>48</b>

DATE	DESCRIPTION	REV.