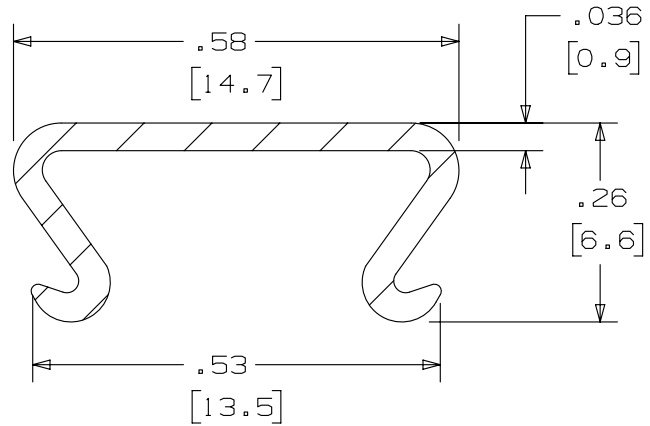


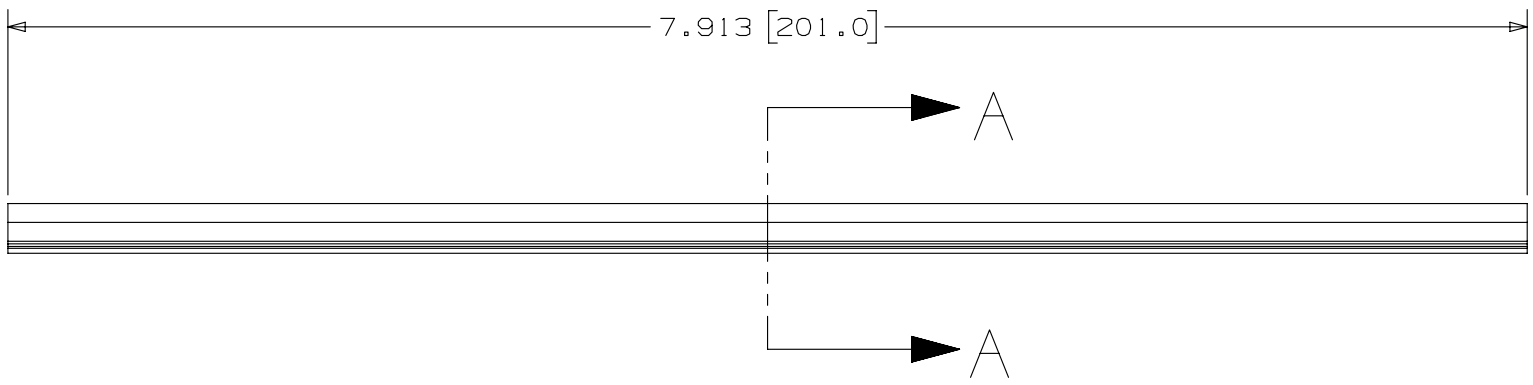
THIS COPY IS PROVIDED ON A RESTRICTED BASIS AND IS NOT TO BE USED IN ANY WAY DETRIMENTAL TO THE INTERESTS OF PANDUIT CORP.



SECTION A - A

PANDUIT P/N	WEIGHT
P110LH	.097 LB/6 PCS. (4.1 G/6 PCS.)

- NOTES:
1. SEE CURRENT CATALOG FOR ADDITIONAL PART NUMBER SUFFIXES TO INDICATE PACKAGE QUANTITY.
  2. THIS PART USED ON 110 CONNECTOR BASES, P/N'S: P110B100-X, P110BW100-X, P110B300-X, P110BW300-X.
  3. DIMENSIONS IN PARENTHESIS ARE IN METRIC.



PART NUMBER		P110LH	
TITLE			
110 WIRING BLOCK LABEL HOLDER			
CUSTOMER DRAWING			
ITEM REVISION NAME		D35536BB/00	
DATASET FILE NAME		D35536BB_DC01/01B	
UNLESS OTHERWISE SPECIFIED, DIMENSIONAL TOLERANCES ARE: IN (mm)		MATERIAL:	
.x ± .xxx ± .010 [.3]		CLEAR PVC	
.xx ± .03 [.8] ANGLES ±		DRAWING NUMBER:	
THIRD ANGLE PROJECTION		35536-01	
DRAWN BY	DATE	CHK	SCALE
JBA	4-3-96	REFR	FULL
SHT 1 OF 1			SIZE
			A

2	5-28-14	MDJR	REFR	MMR	A. UPDATED TITLE BLOCK. ALL REVISIONS HAVE BEEN OMITTED FOR CLARITY.	35536-01
REV	DATE	BY	CHK	APR	DESCRIPTION	ECN

D10100DA/14