

4

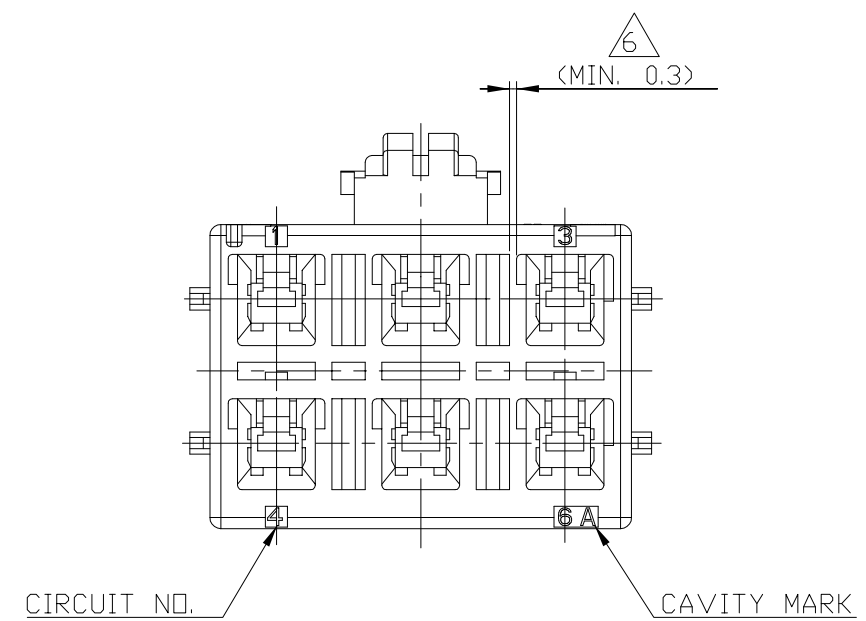
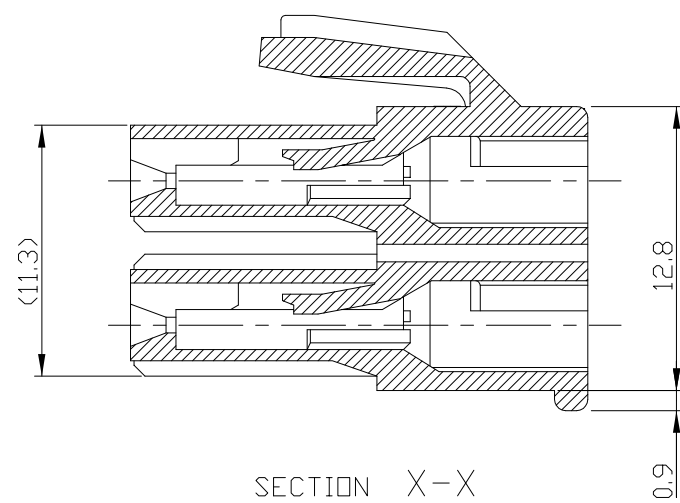
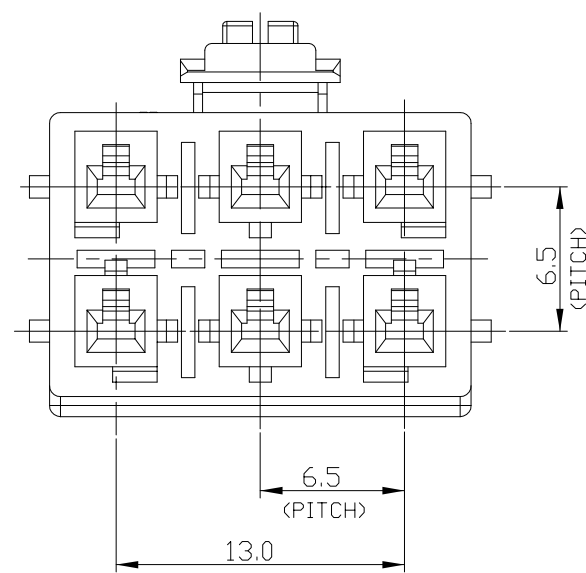
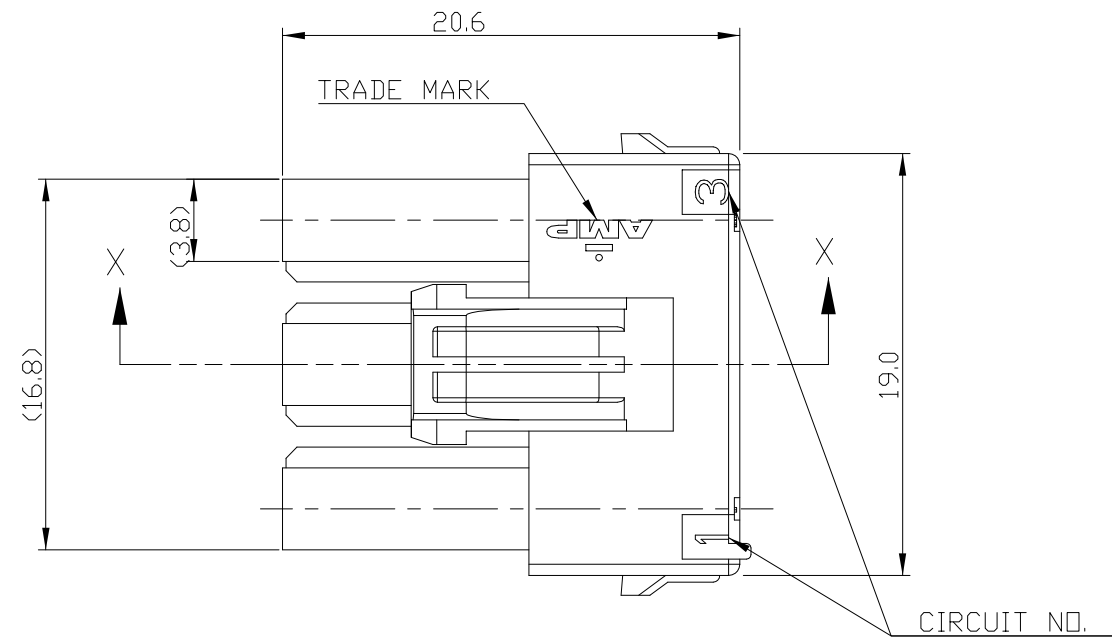
3

2

1

THIS DRAWING IS UNPUBLISHED. RELEASED FOR PUBLICATION 20
© COPYRIGHT 20 BY TYCO ELECTRONICS CORPORATION. ALL RIGHTS RESERVED.

LOC	DIST	REVISIONS			
P	LTR	DESCRIPTION	DATE	DWN	APVD
DS	-	RELEASED	01.OCT'09	SC	JK



NOTE;
 1.APPLICABLE CONTACT P/N
 -REC CONTACT:177915- □(AWG#16-#20)
 :177914- □(AWG#22-#26)
 2.MATING CONN.P/N
 -HDR ASS'Y:179849- □
 3.APPLICABLE DOUBLE LOCK PLATE:316062-1
 *IT SHOULD BE USED CERTAINLY WHEN CABLE ASS'Y
 4.GENERAL TOLERANCES:±0.3
 5.ACCORDING TO IEC 60335-1 4.2 EDITION
 -PART MEETS GWT 750°& 850°C.
 -MATERIAL MEETS BALL PRESSURE TESTING AT 125°C.
 -MATERIAL HAS CTI VALUE OF 250V.
 △MIN.THICKNESS OF INSULATING WALL

2005252-6	BLUE
2005252-4	YELLOW
2005252-1	NATURAL
P/N	COLOR

DIMENSIONS:		TOLERANCES UNLESS OTHERWISE SPECIFIED:		DWN		NAME		
mm		0 PLC	±-	SC KIM	Tyco Electronics AMP KOREA Kyungsan, Korea			
		1 PLC	±0.1	CHK BW KANG				
		2 PLC	±0.01	APVD JK SONG				
		3 PLC	±0.001	PRODUCT SPEC	108-61106			
		4 PLC	±0.0001	APPLICATION SPEC	-			
		ANGLES	±-	WEIGHT	SIZE	CAGE CODE	DRAWING NO	RESTRICTED TO
MATERIAL	PA66 (UL94V-0)	FINISH	-	-	A3	00779	2005252	-
				CUSTOMER DRAWING		SCALE	SHEET	REV
						3:1	1 OF 1	A