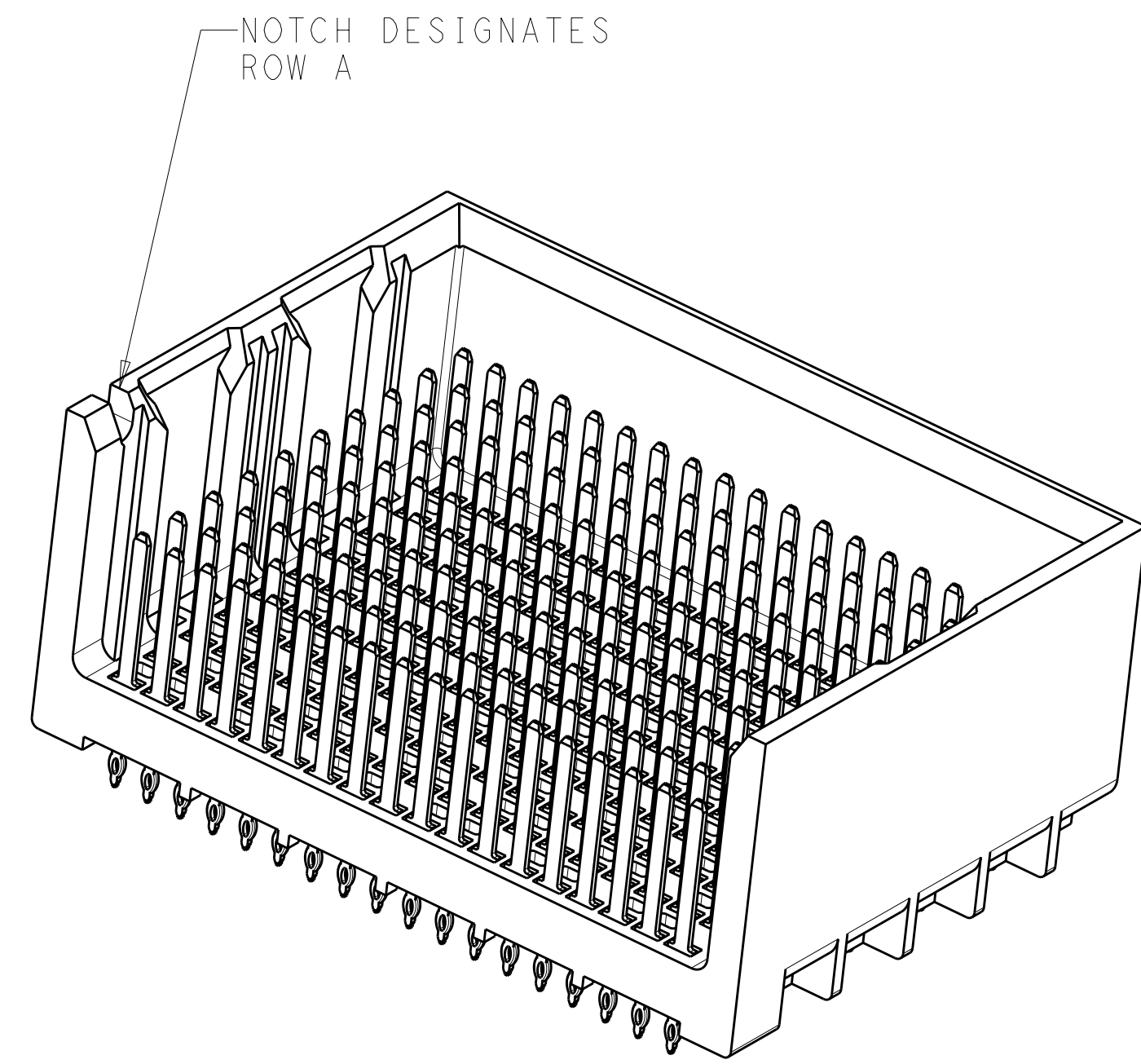
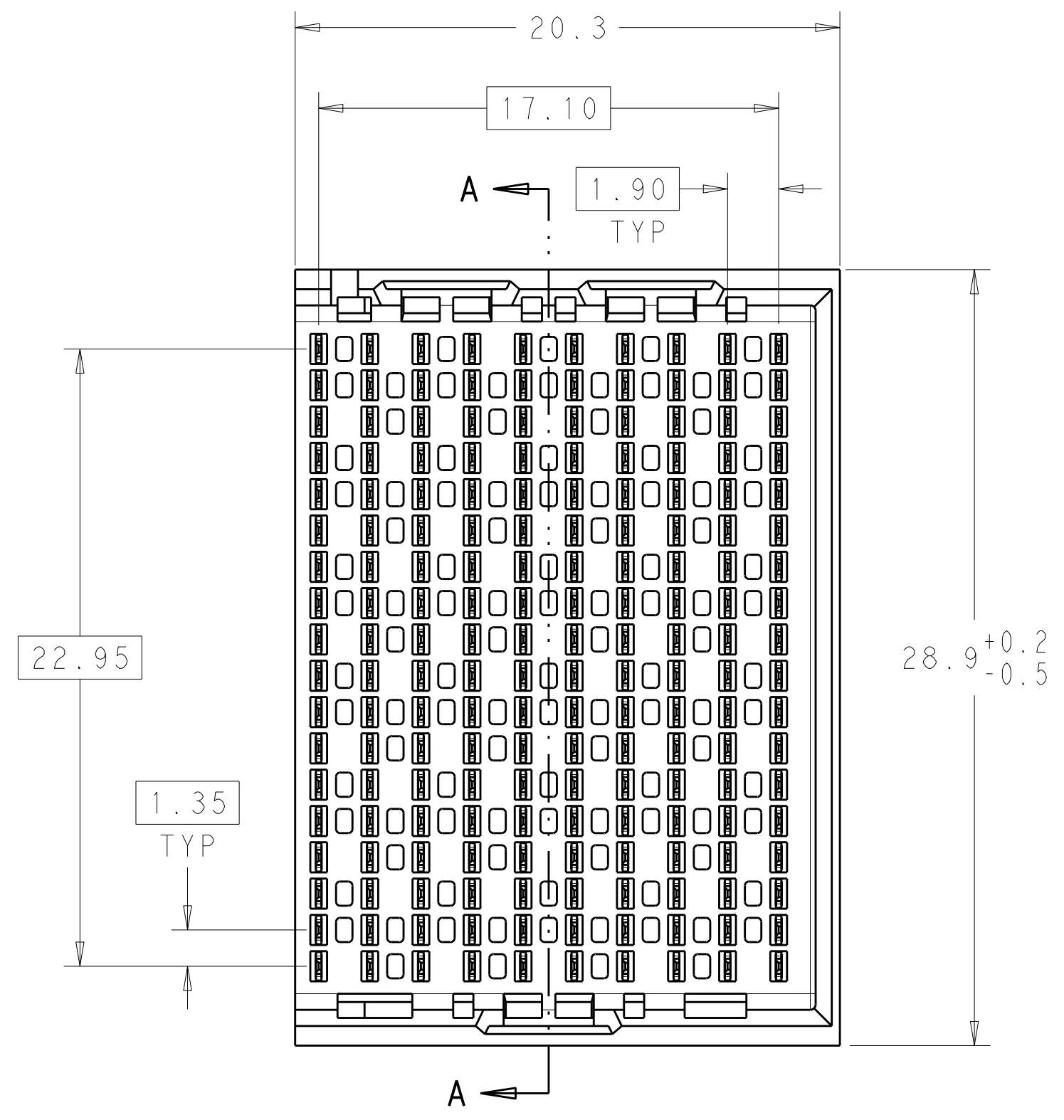
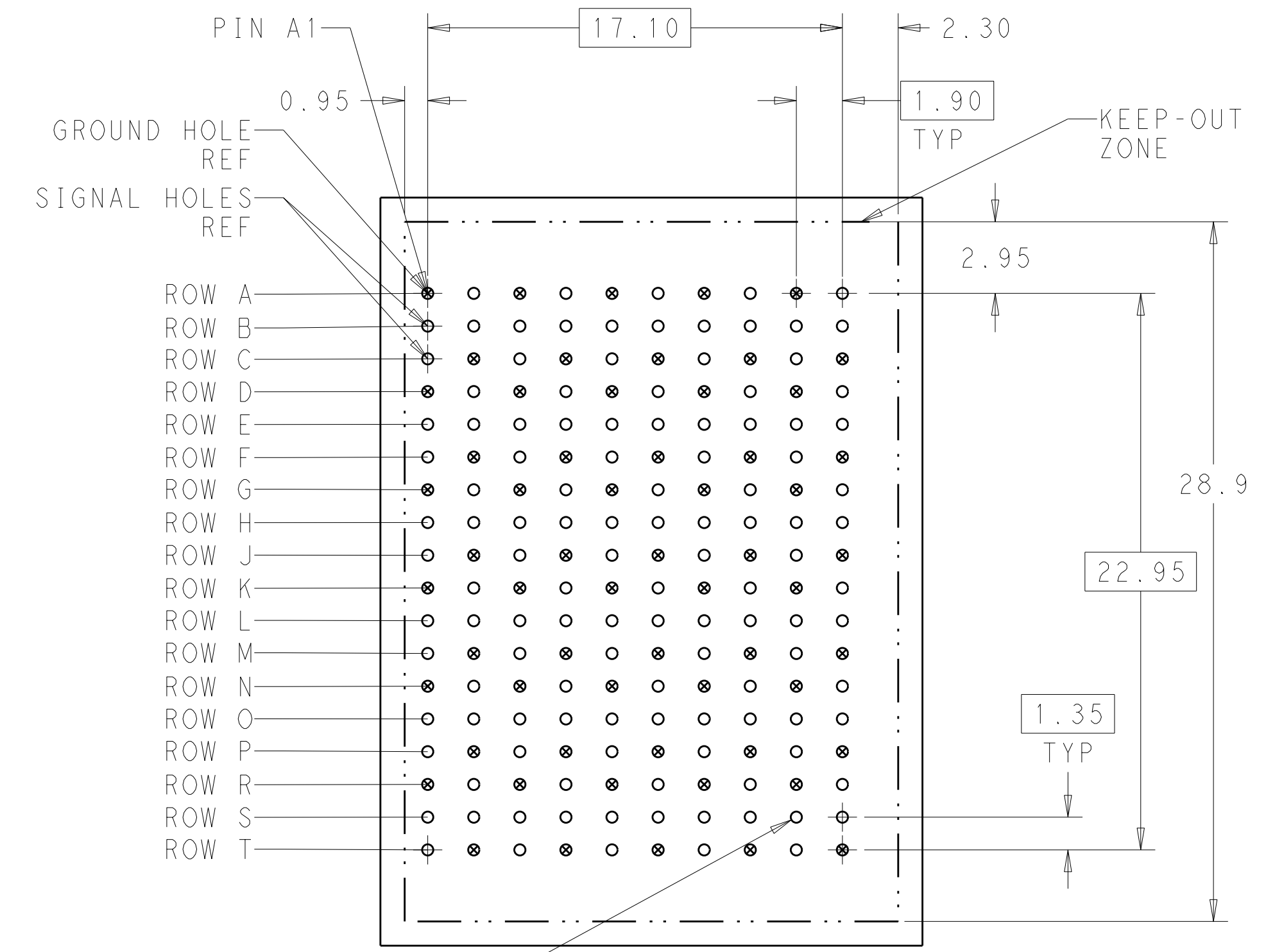


LOC	DIST	REVISIONS			
AD	00	REV	DATE	DWN	APVD
		A	CREATED BY AUTOMATION PROGRAM	02MAY2011	RKC JE

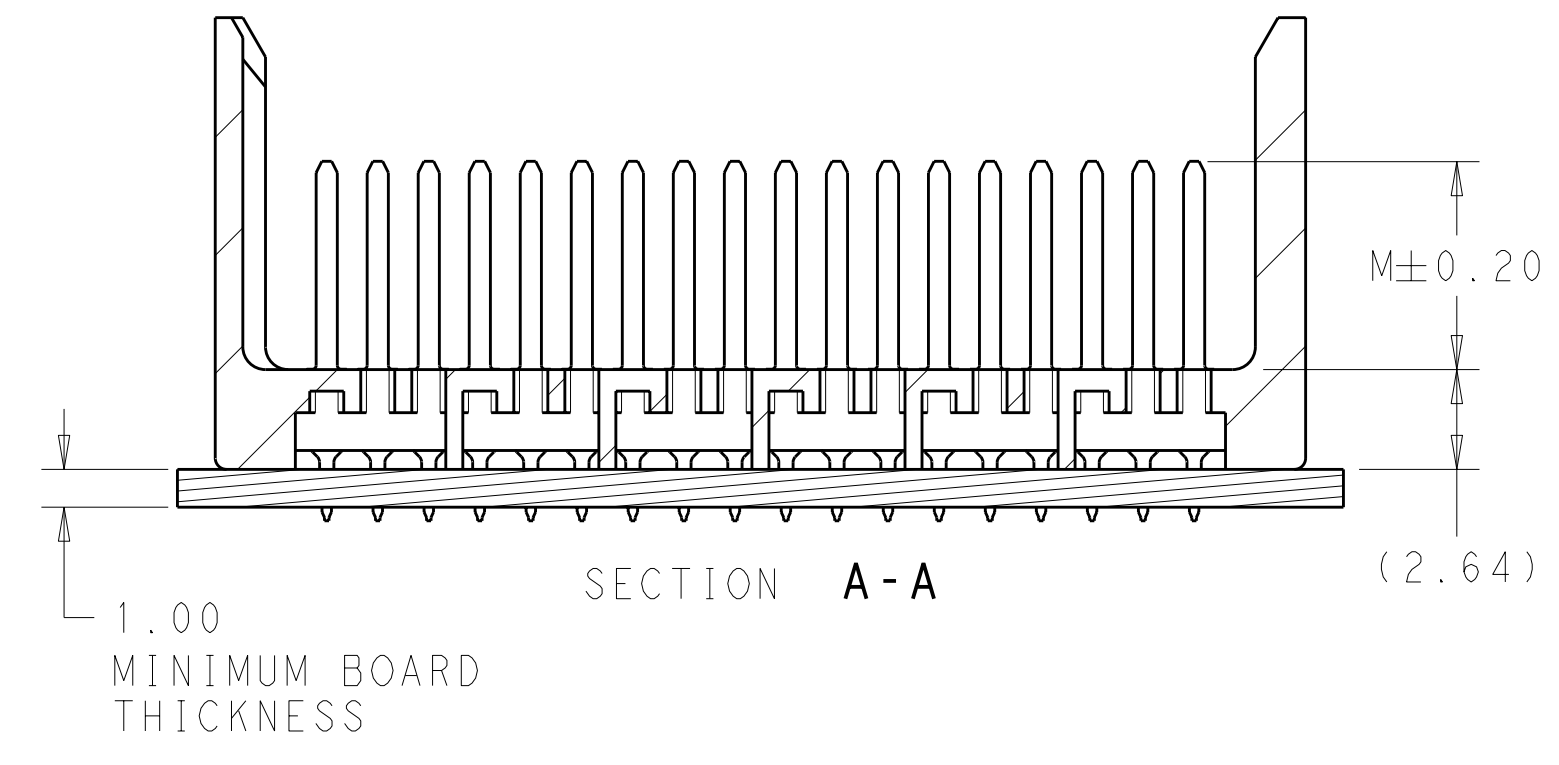
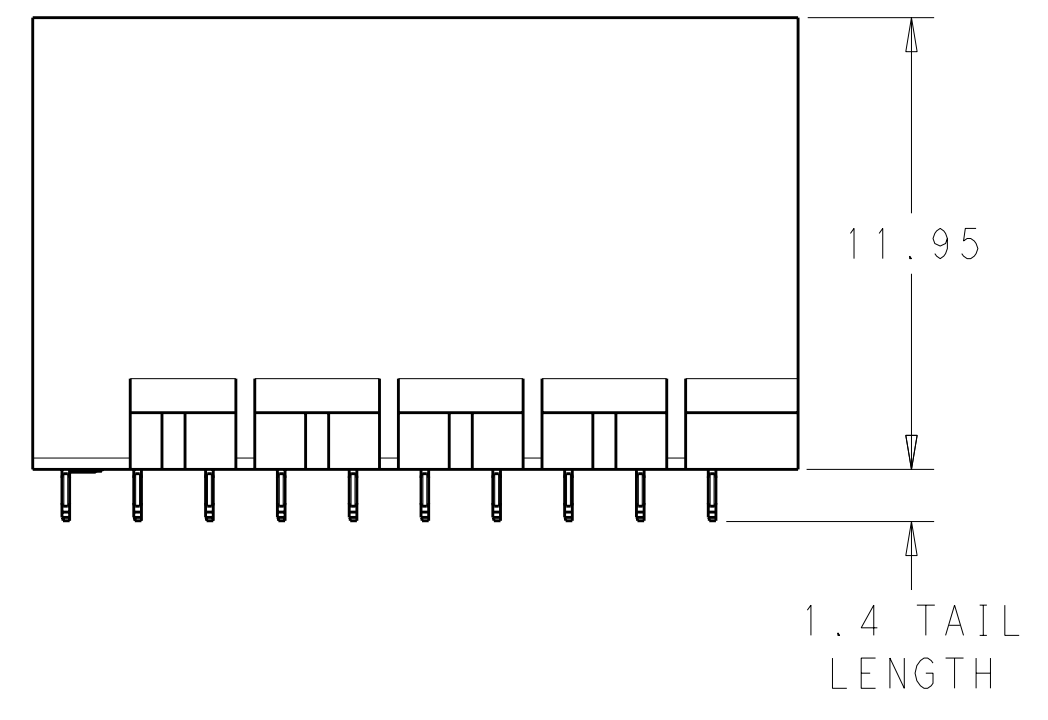


- 1 MATERIAL:
HOUSING: LCP, GLASS FILLED, UL94V-0.
TERMINALS: HIGH PERFORMANCE COPPER ALLOY.
- 2 FINISH:
30µ" MIN GOLD IN CONTACT AREA. SELECTIVE TIN
ON PCB TAILS, NICKEL OVERALL.
- 3 FINISH:
30µ" MIN GOLD IN CONTACT AREA. SELECTIVE TIN-LEAD
ON PCB TAILS, NICKEL OVERALL.



180X Ø0.46±0.05
 Ø0.10
 PLATED THRU HOLE

UNGUIDED
 BACKPLANE HOLE PATTERN
 (CONNECTOR SIDE)




THIS DRAWING IS A CONTROLLED DOCUMENT.		DWN R. COELLO 02MAY2011	TE Connectivity
DIMENSIONS: mm		CHK J. EBY 02MAY2011	
TOLERANCES UNLESS OTHERWISE SPECIFIED:		APVD J. EBY 02MAY2011	NAME IMPACT, 6 PAIR, 10 COLUMN, HEADER UNGUIDED, RIGHT END WALL SIGNAL MODULE, 0.46 PTH
9 PLC ± 1 PLC ±0.25 3 PLC ±0.13 5 PLC ± 4 PLC ± ANGLES ±		PRODUCT SPEC	RESTRICTED TO
MATERIAL SEE TABLE		APPLICATION SPEC	SIZE CAGE CODE DRAWING NO A100779C=2007883
FINISH SEE TABLE		WEIGHT	SCALE 5:1 SHEET 1 OF 2 REV A
		CUSTOMER DRAWING	

THIS DRAWING IS UNPUBLISHED. RELEASED FOR PUBLICATION 20
 BY . . . ALL RIGHTS RESERVED.

LOC	DIST	REVISIONS				
		P	LTB	DATE	DWN	APVD
AD	00	-	-	SEE SHEET 1	-	-

FINISH	DIM M	PART NUMBER
\triangle_3	5.5	2007883-6
\triangle_3	4.9	2007883-5
\triangle_3	4.5	2007883-4
\triangle_2	5.5	2007883-3
\triangle_2	4.9	2007883-2
\triangle_2	4.5	2007883-1

REFER TO WWW.TE.COM
FOR PRODUCT AVAILABILITY

THIS DRAWING IS A CONTROLLED DOCUMENT.		DWN R. COELLO 02MAY2011	 TE Connectivity														
DIMENSIONS: mm		CHK J. EABY 02MAY2011															
TOLERANCES UNLESS OTHERWISE SPECIFIED:		APVD J. EABY 02MAY2011	NAME IMPACT, 6 PAIR, 10 COLUMN, HEADER UNGUIDED, RIGHT END WALL SIGNAL MODULE, 0.46 PTH														
<table border="1"> <tr><td>9 PLC</td><td>±</td></tr> <tr><td>7 PLC</td><td>±0.25</td></tr> <tr><td>5 PLC</td><td>±0.13</td></tr> <tr><td>3 PLC</td><td>±</td></tr> <tr><td>4 PLC</td><td>±</td></tr> <tr><td>ANGLES</td><td>±</td></tr> <tr><td>FINISH</td><td>±</td></tr> </table>		9 PLC	±	7 PLC	±0.25	5 PLC	±0.13	3 PLC	±	4 PLC	±	ANGLES	±	FINISH	±	PRODUCT SPEC	SIZE CAGE CODE DRAWING NO RESTRICTED TO
9 PLC	±																
7 PLC	±0.25																
5 PLC	±0.13																
3 PLC	±																
4 PLC	±																
ANGLES	±																
FINISH	±																
MATERIAL -		APPLICATION SPEC	A100779C=2007883														
WEIGHT -		CUSTOMER DRAWING	SCALE 5:1 SHEET 2 OF 2 REV A														