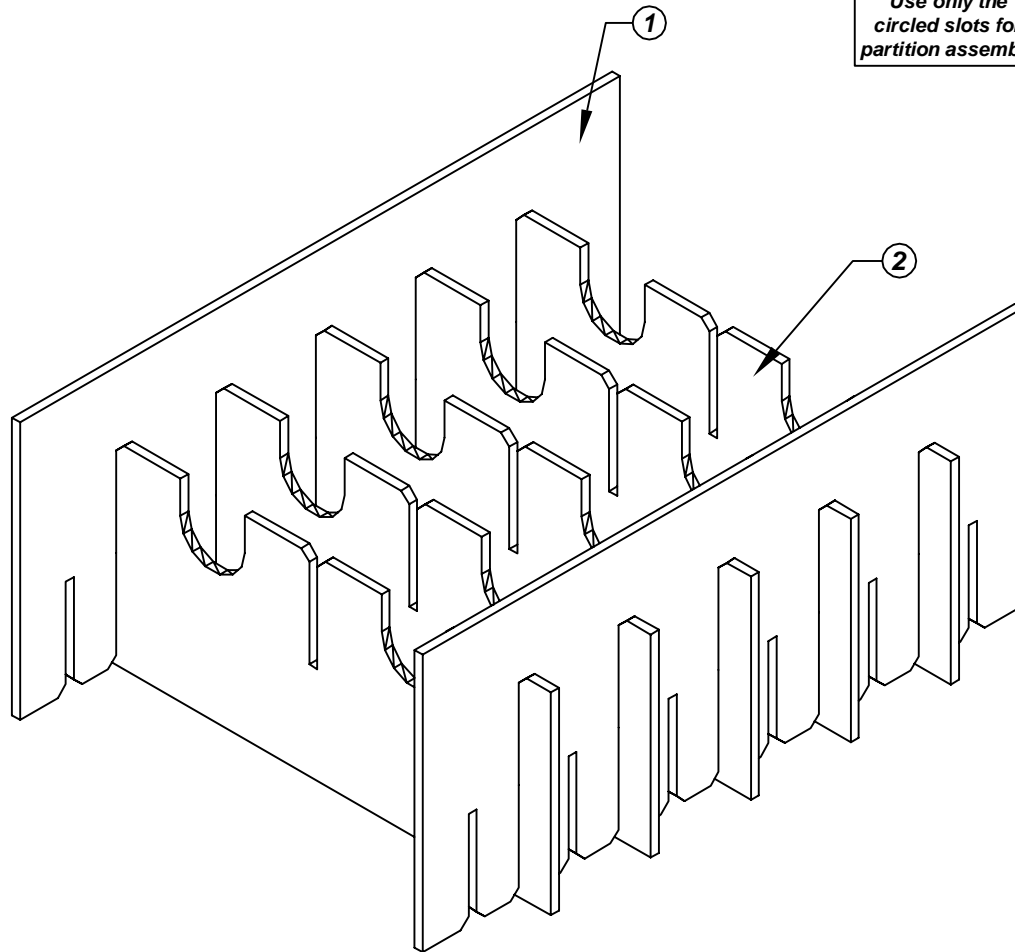
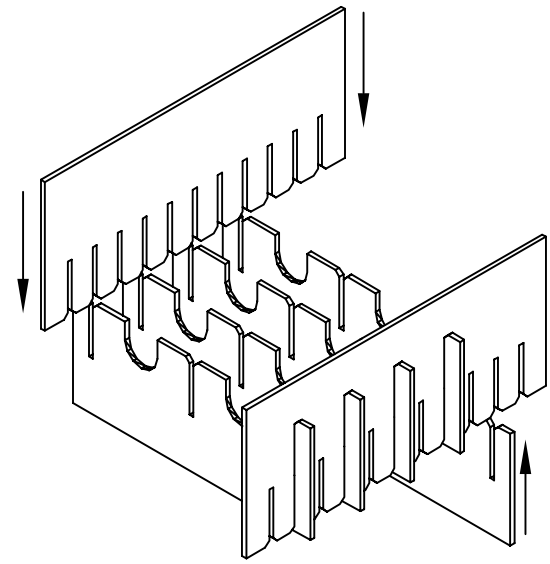
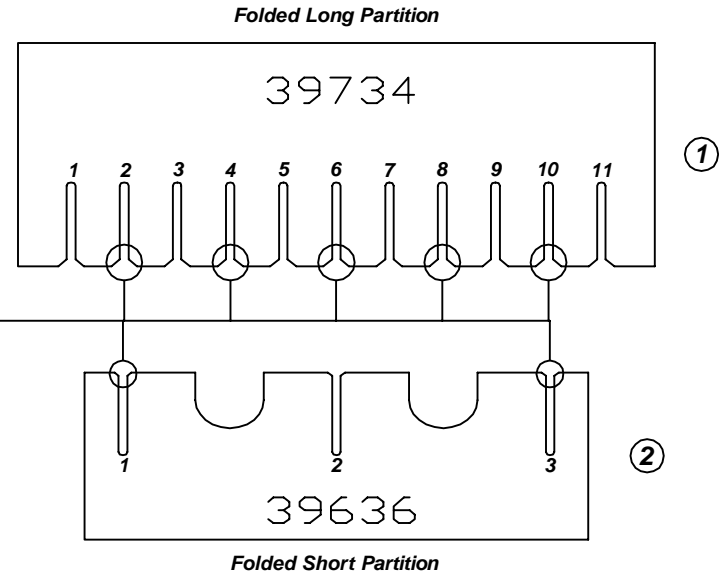


Assembly Instructions for - 37384



Use only the circled slots for partition assembly



Made in America

F/N ①	Part # 39734	Dimensions: 16-1/4" x 18-5/8"	Description: 468-HLP-12 Long Partition	Qty: 2
F/N ②	Part # 39636	Dimensions: 12" x 14-3/4"	Description: 406/468-HSP Short Partition	Qty: 5

37384 - 6 Cell Inplant Handler
Cell Size - 8" x 12-3/4" x 2-7/8"

Notes:
 For use with the following storage container & lid:
 37527 - Storage Container
 37554 - Lid

PROTEKTIVE PAK
 13520 MONTE VISTA AVENUE, CHINO, CA 91710
 PHONE (909) 627-2578, FAX (909) 363-7331
 ProtektivePak.com



DRAWING NUMBER
IPH-37384

DATE
 Nov.
 2007