

REV	DOCUMENT	CHANGED BY	CHECK
5	0033036	DDN 14AUG07	CMH

SERIES XPX

DESIGNATES PRESSURE
L - LOW PRESSURE (IN H₂O)
 - NO DESIGNATION (PSI)

ACCURACY GRADE
C - COMMERCIAL GRADE
 - NO DESIGNATION
 COMMERCIAL GRADE

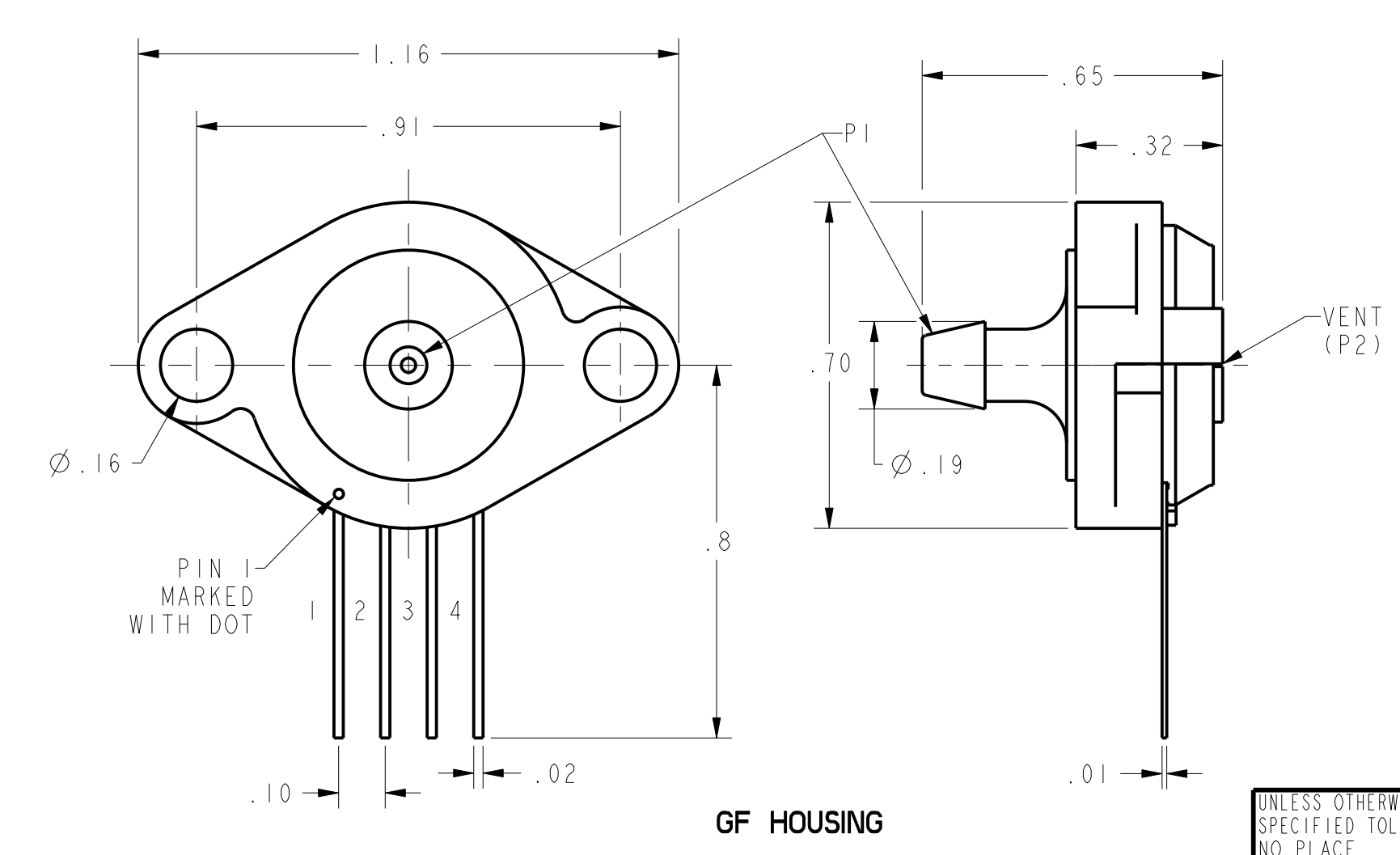
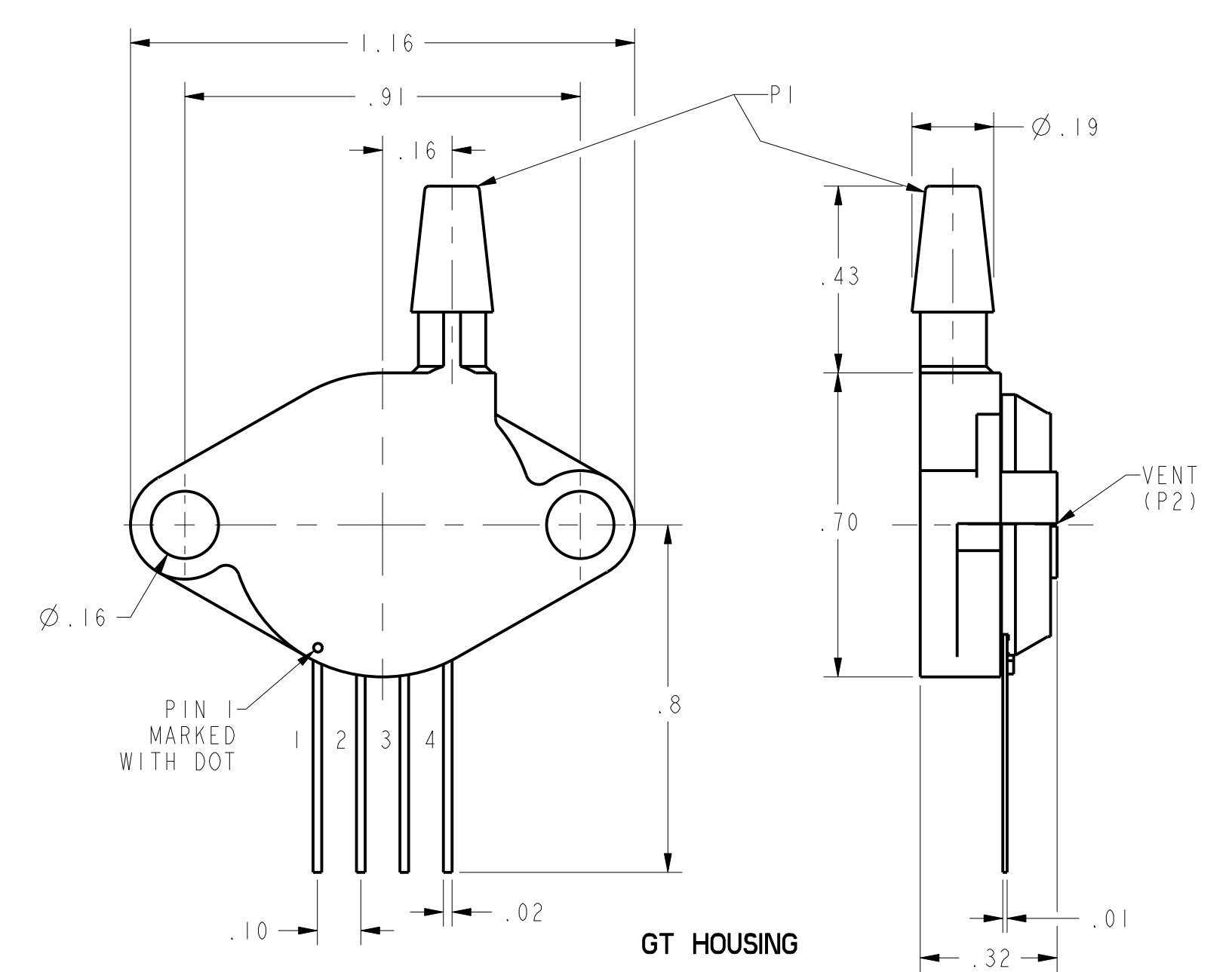
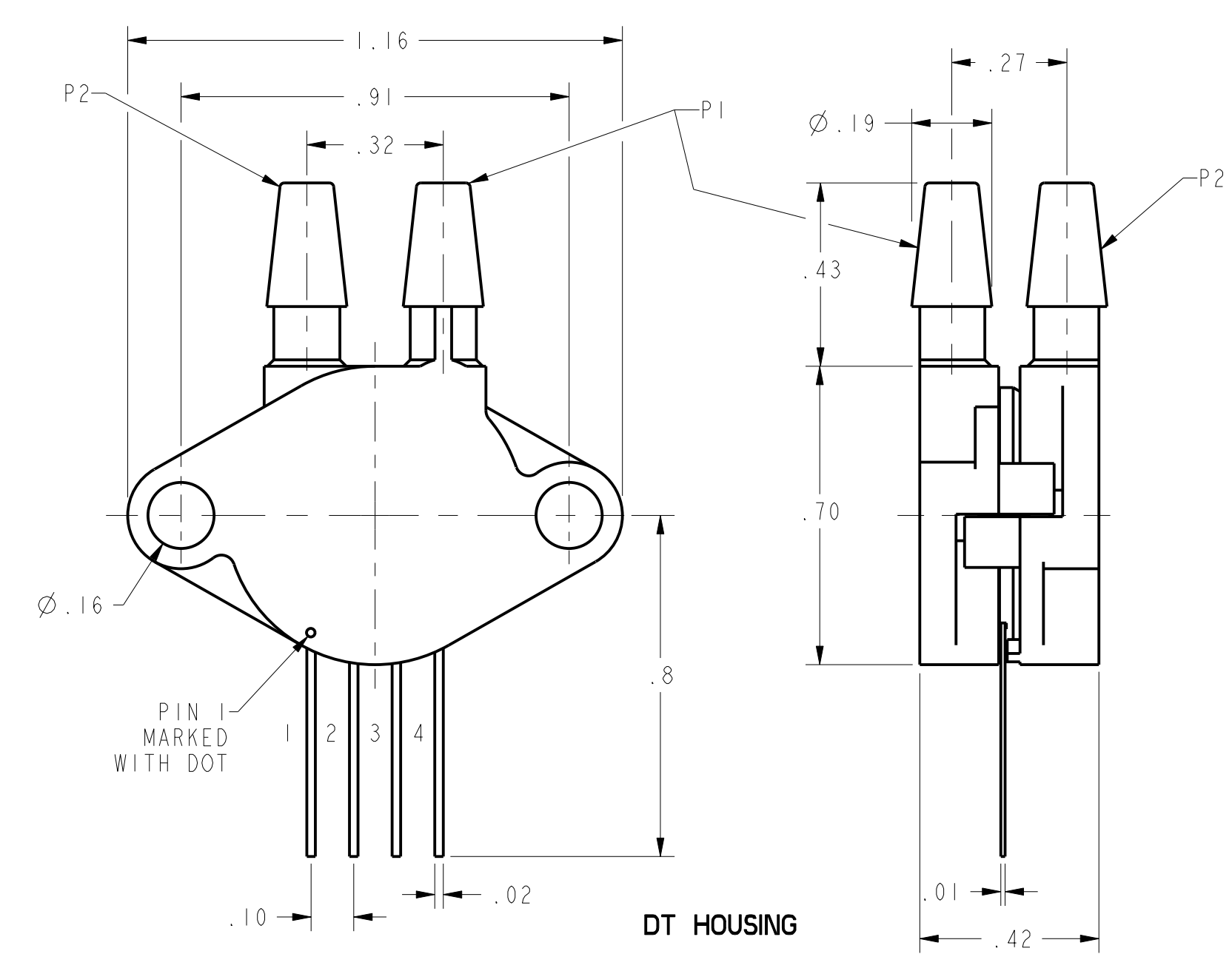
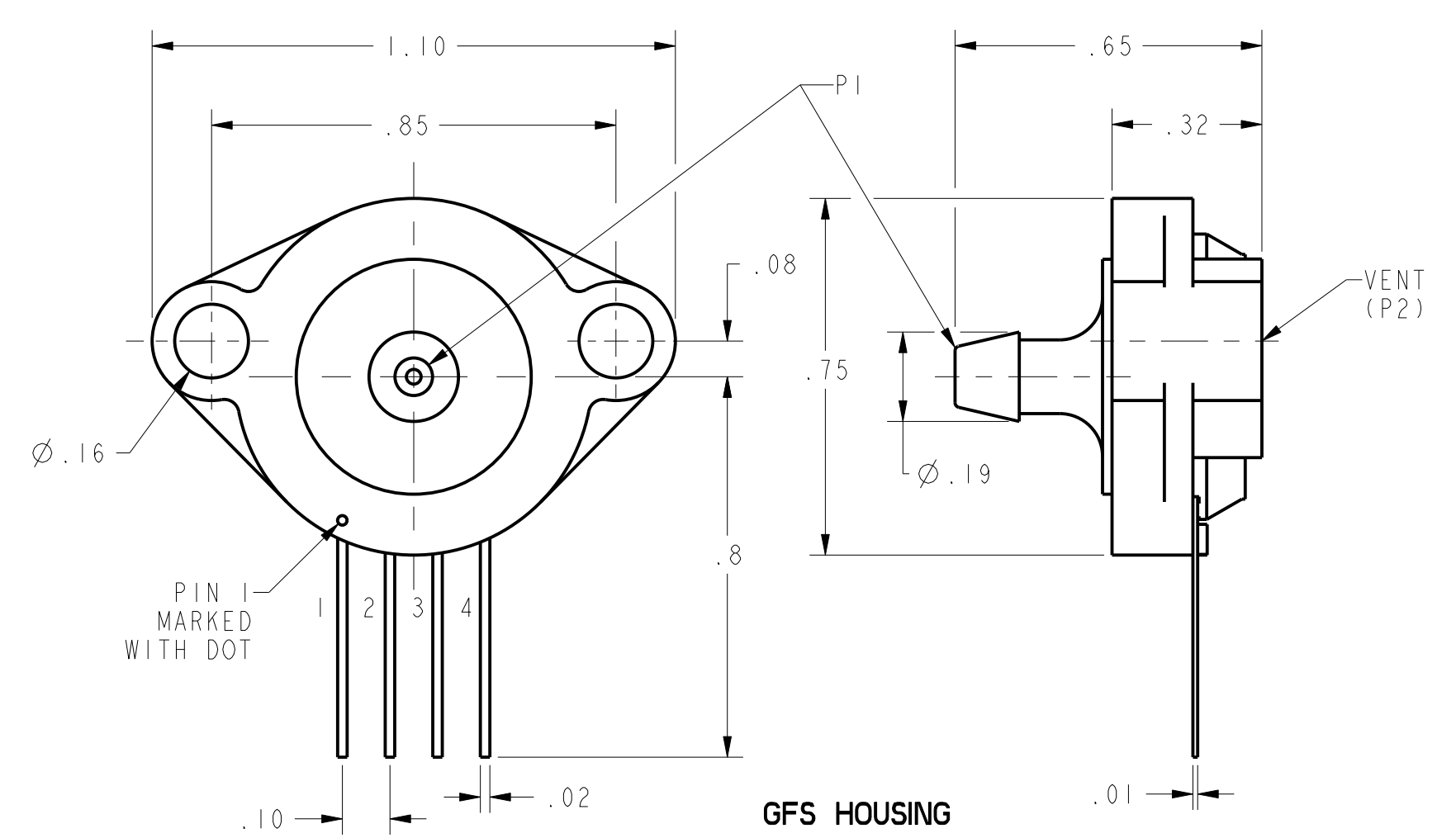
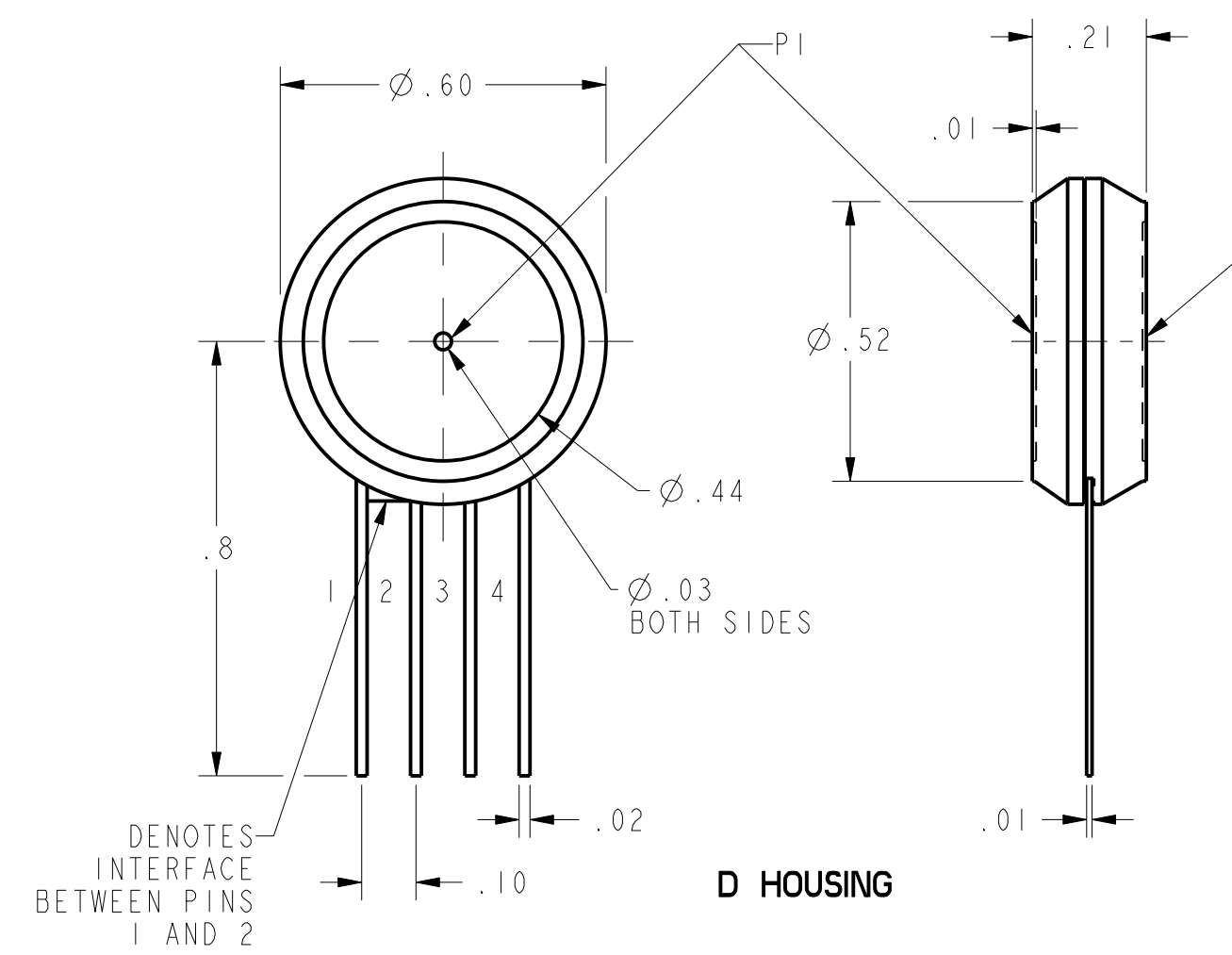
PORT OPTION
F - AXIAL
T - RADIAL
FS - OFFSET AXIAL

PRESSURE RANGE
04, 10 IN H₂O
0.3, 01, 05, 15, 30, 60, 100, 150 PSI

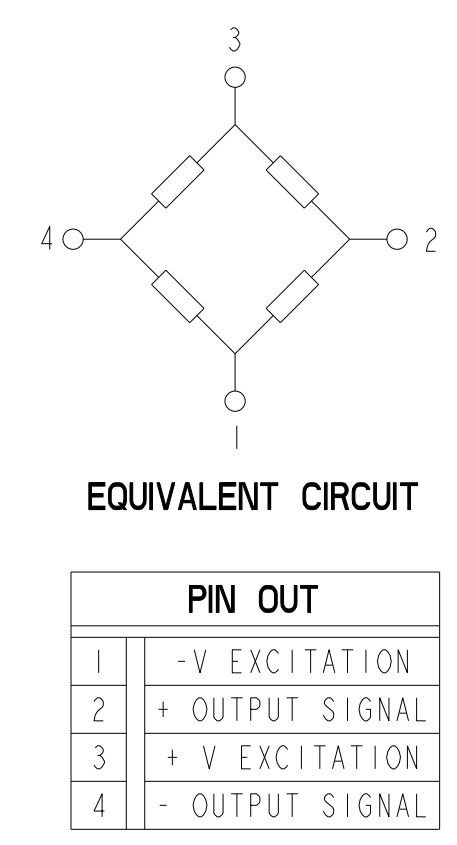
PRESSURE REFERENCE
G - GAGE
D - DIFFERENTIAL

CATALOG LISTINGS

XPXL04DTC
XPXL10DT
XPX01D
XPX15DT
XPX15GFS
XPX30DT
XPX100D
XPX100DT
XPX100GFS
XPX150D



XPX/XPXL G AND D STYLE (GAGE/DIFFERENTIAL)	PERFORMANCE AT 25°C AND 5±0.01 Vdc (UNLESS OTHERWISE STATED)			UNITS	FULL SCALE PRESSURE PSI	PROOF PRESSURE PSI	BURST PRESSURE PSI
	MIN	NOM	MAX				
OFFSET (FOR ALL LISTINGS)	-50	0	50	mV			
4 IN H ₂ O SPAN (P1>P2) (L04 LISTING)	50	68	86	mV	4 IN H ₂ O	3	5
10 IN H ₂ O SPAN (P1>P2) (L10 LISTING)	45	78.5	112	mV	10 IN H ₂ O	3	5
0.3 PSI SPAN (P1>P2)	37	65	93	mV	0.3	3	5
1 PSI SPAN (P1>P2)	40	75	110	mV	1	3	5
5 PSI SPAN (P1>P2)	112	168.5	225	mV	5	15	25
15 PSI SPAN (P1>P2)	168	253	338	mV	15	45	75
30 PSI SPAN (P1>P2)	168	253	338	mV	30	90	150
60 PSI SPAN (P1>P2)	189	263.5	338	mV	60	180	300
100 PSI SPAN (P1>P2)	210	295	380	mV	100	250	400
150 PSI SPAN (P1>P2)	187	262.5	338	mV	150	250	400
TEMPERATURE CHANGE BRIDGE RESISTANCE	---	2600	---	ppm/°C			
TEMPERATURE CHANGE SPAN	---	-1800	---	ppm/°C			
COMBINED LINEARITY AND HYSTERESIS	---	---	1	% SPAN			



GENERAL OPERATING CHARACTERISTICS	ALL PRESSURES AND GRADES			UNITS
	MIN	NOM	MAX	
EXCITATION VOLTAGE	---	5	12	Vdc
INPUT RESISTANCE	---	3000	---	OHMS
OUTPUT RESISTANCE	---	3000	---	OHMS
OPERATING TEMPERATURE	-25	25	85	°C
STORAGE TEMPERATURE	-40	---	125	°C

- NOTES**
- SPAN IS THE ALGEBRAIC DIFFERENCE BETWEEN THE OUTPUT AT FULL SCALE PRESSURE AND THE OFFSET OUTPUT
 - LINEARITY IS MEASURED AT 1/2 FULL SCALE PRESSURE USING BEST STRAIGHT LINE FIT
 - THE OUTPUT OF THE SENSOR IS PROPORTIONAL, RATIO-METRIC, TO THE EXCITATION VOLTAGE. ALL SPECIFICATIONS WILL NOMINALLY BE CHANGED BY THE RATIO OF $V_{EXCITATION}/5.0$ Vdc
 - LIMIT SOLDERING TO 315°C FOR LESS THAN 10 SECONDS
 - PIN 1 IS IDENTIFIED BY THE DOT ON THE HOUSING OR BY THE BRIDGING TAB BETWEEN TERMINALS 1 AND 2
 - APPLY PRESSURE TO PORT INDICATED ON THE DRAWINGS SHOWN
 - SENSORS ARE OPERATIONAL OVER VACUUM PRESSURE RANGE
 - P1 INPUT MEDIA RESTRICTED TO DRY GASES ONLY
 - P2 INPUT MEDIA RESTRICTED TO MEDIA COMPATIBLE WITH NYLON, EPOXY ADHESIVE AND SILICON

UNLESS OTHERWISE SPECIFIED TOLERANCES ARE:	INCHES	METRIC	DRAWN	TSM	29MAR01
NO PLACE	X	±.040 ±.1	CHECK	SAV	29MAR01
ONE PLACE	.X	±.030 ±.4	THIS DRAWING COVERS A PROPRIETARY ITEM AND IS THE PROPERTY OF HONEYWELL. THIS DRAWING IS NOT TO BE COPIED OR USED WITHOUT THE PERMISSION OF HONEYWELL.		
TWO PLACE	.XX	±.015 ±.15			
THREE PLACE	.XXX	±.005 ±.1			
ANGLES		±			
RAW MATERIAL - COMMERCIAL STANDARD			THIRD ANGLE PROJECTION		
DIMENSIONS ARE TO BE MET BEFORE PROTECTIVE COATINGS ARE APPLIED.			SCALE 3:1		
PTC 3D ASME Y14.5M-1994			DRAWING NAME: XPX GAGE DIF SERIES CHART 1		
SHEET 1 OF 1			REV 5		

Honeywell

PRESSURE SENSOR