

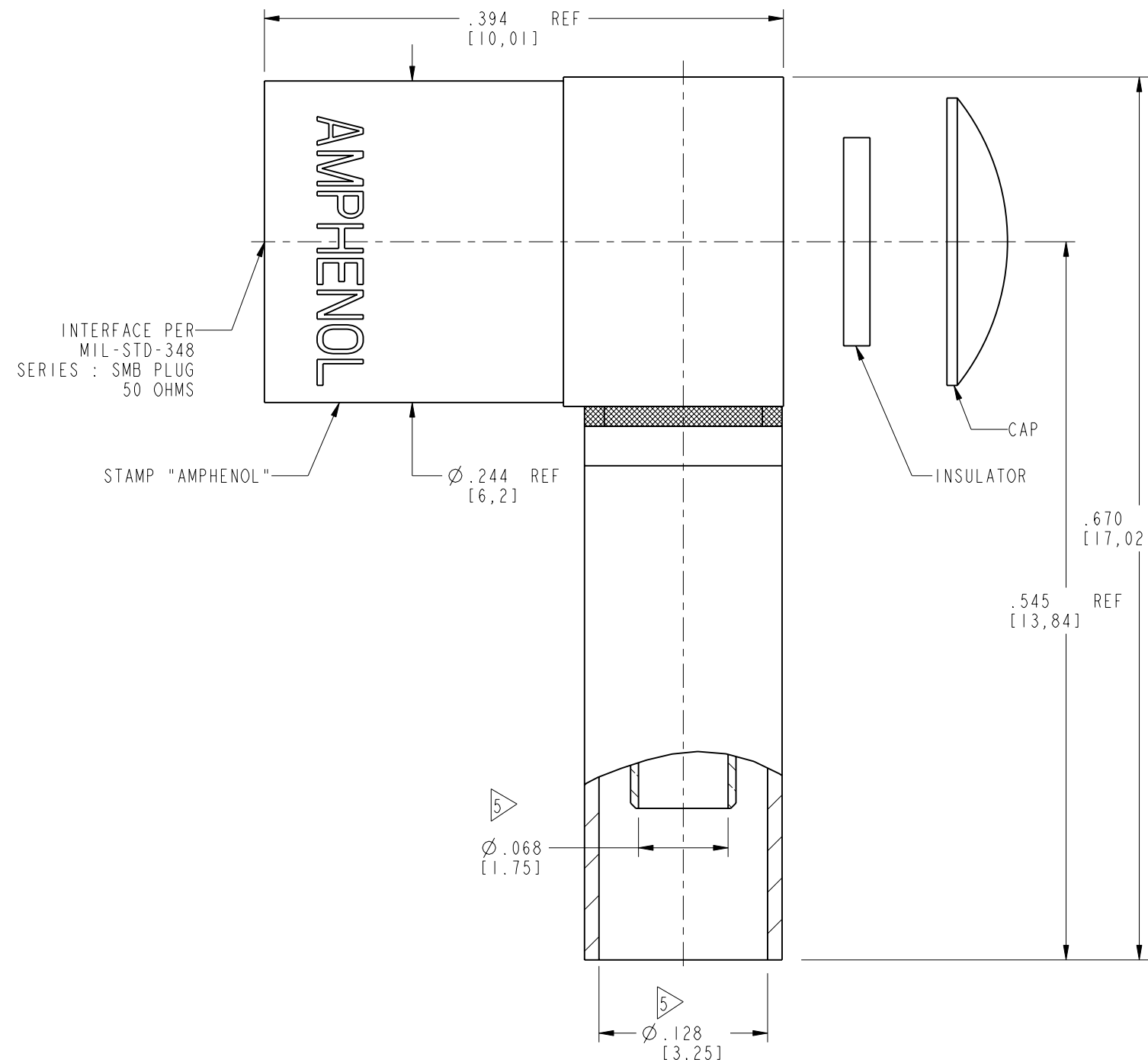
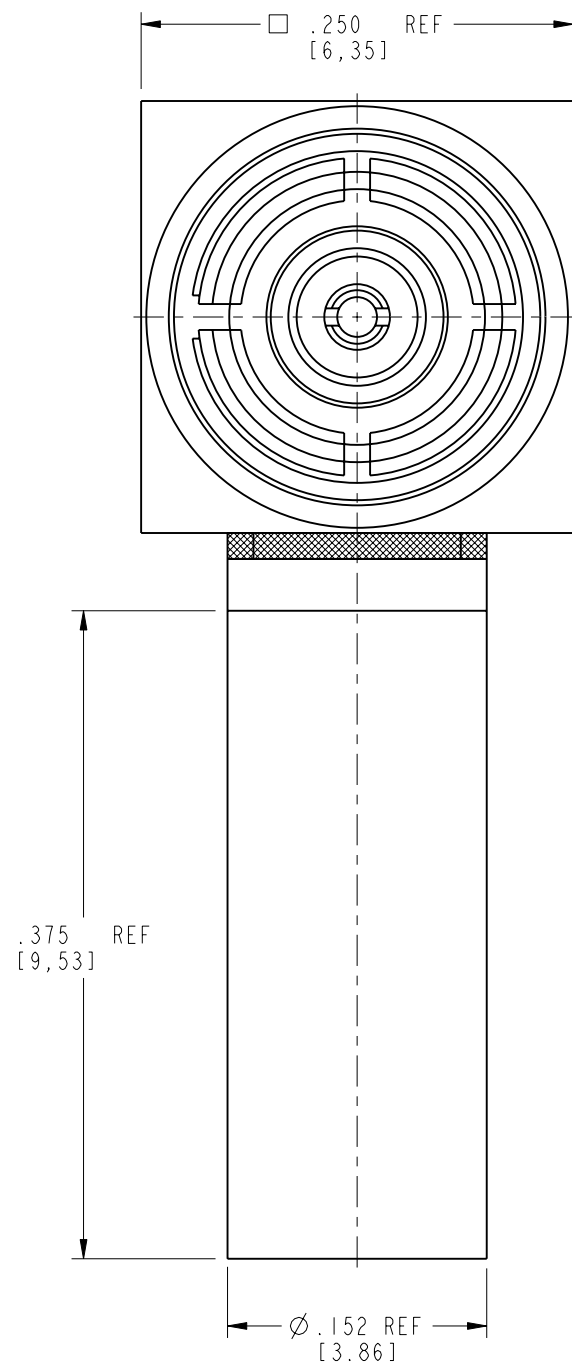
NOTES:

1. MATERIALS AND FINISHES:
 BODY - BRASS, GOLD PLATING
 CONTACT - BeCu, GOLD PLATING
 INSULATORS - PTFE, NATURAL
 BODIES & CAP - BRASS, NICKEL PLATING
 RETAINING RING - BeCu, NICKEL PLATING
 FERRULE - COPPER, NICKEL PLATING
 2. MECHANICAL:
 A. DURABILITY: 500 CYCLES MIN.
 B. TEMPERATURE RANGE: -65° C TO +165° C
 3. PACKAGING:
 A. QUANTITY: SINGLE PACK
 B. MARKING: BAG TO BE MARKED
 "AMPHENOL RF, 903-429P-51A, AND DATE CODE"
 4. FOR CABLE ASSEMBLY INSTRUCTIONS SEE AMPHENOL SPECIFICATION 349-50521 SHEET 5.
5. SHOWS CABLE ENTRY DIMENSIONS.

THIRD ANGLE PROJ.

REVISIONS

REV	DESCRIPTION	DATE	ECO	APPR
A	RELEASE TO MFG.	04-Mar-93	39328	PB
E	REDRAWN IN PRO-E & COD SHEET ADDED	29-Apr-15	49810	AAP



CUSTOMER OUTLINE DRAWING
 ALL OTHER SHEETS ARE FOR INTERNAL USE ONLY

UNLESS OTHERWISE SPECIFIED, DIMENSIONS ARE IN METRIC AND TOLERANCES ARE: <0.5mm ± 0.05mm 0.5 - 6mm ± 0.1mm 6 - 30mm ± 0.2mm 30 - 120mm ± 0.3mm ANGLES ± 1°	MATERIAL	DRAWN	DATE	TITLE SMB RA PLUG CRIMP TYPE FOR RG 316/U CABLE	Amphenol RF www.amphenolrf.com
	SEE BOM TABLE	S. DUAN	30-Apr-15		
NOTICE - These drawings, specifications, or other data (1) are, and remain the property of Amphenol corp. (2) must be returned upon request; and (3) are confidential and not to be disclosed to any person other than those to whom they are given by Amphenol Corp. the furnishing of these drawings, specifications, or other data by Amphenol Corp., or to any other person to anyone for any purpose is not to be regarded by implication or otherwise in any manner licensing, granting rights to permitting such holder or any other person to manufacture, use or sell any product, process or design, patented or otherwise, that may in any way be related to or disclosed by said drawings, specifications, or other data.	REFERENCE	ENGINEER	DATE	SCALE: 9.0:1.0 SHEET 2 OF 2	DRAWING NO. 903-429P-51A
	EAR # 111-962530 EAR # 111-963526 615X-1170-100 CONFIGURATION LEVEL: In Work	RAV	30-Apr-15		APPROVED
	FINISH	S. HSIEH	30-Apr-15	CAD FILE	DWG SIZE B