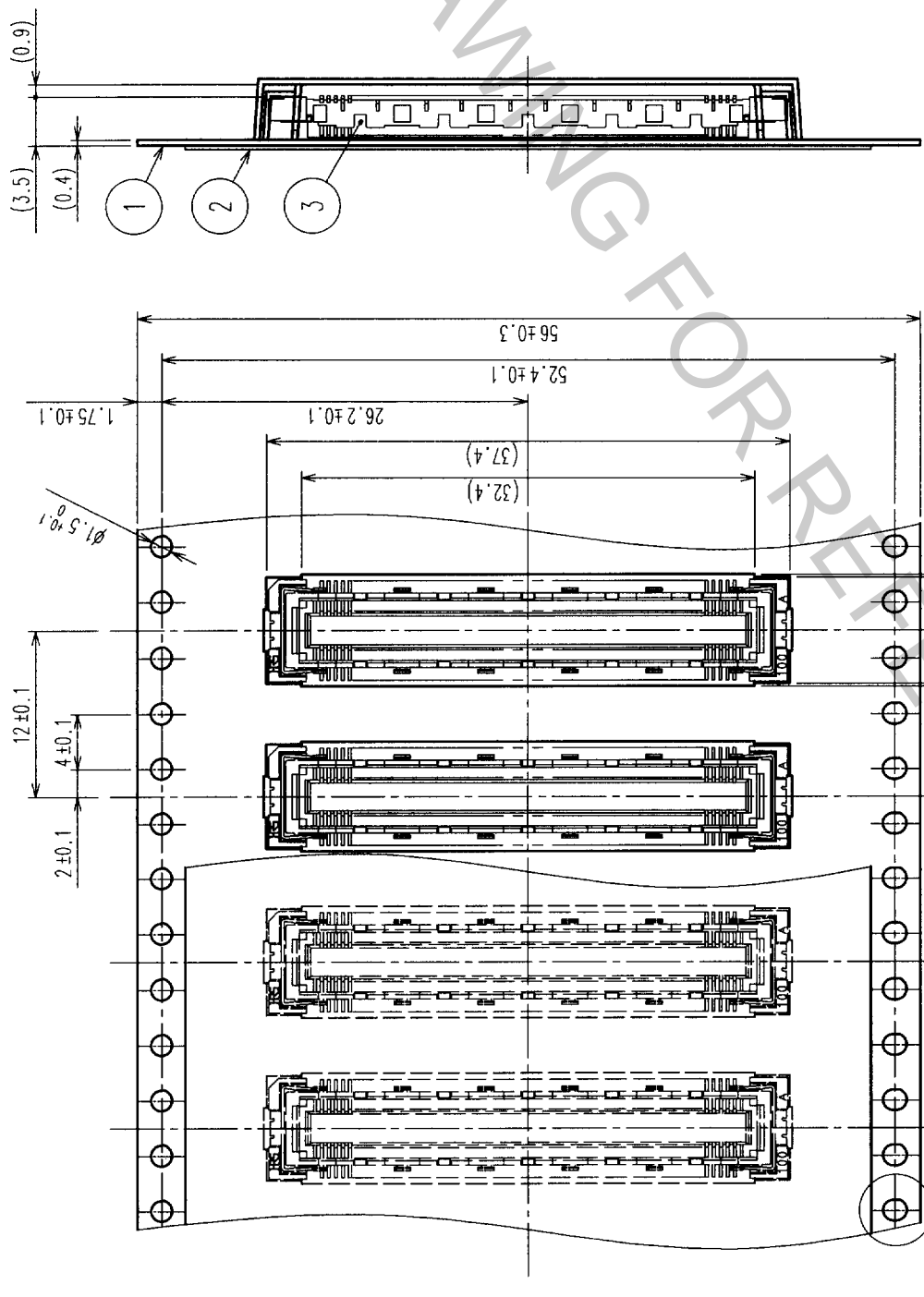
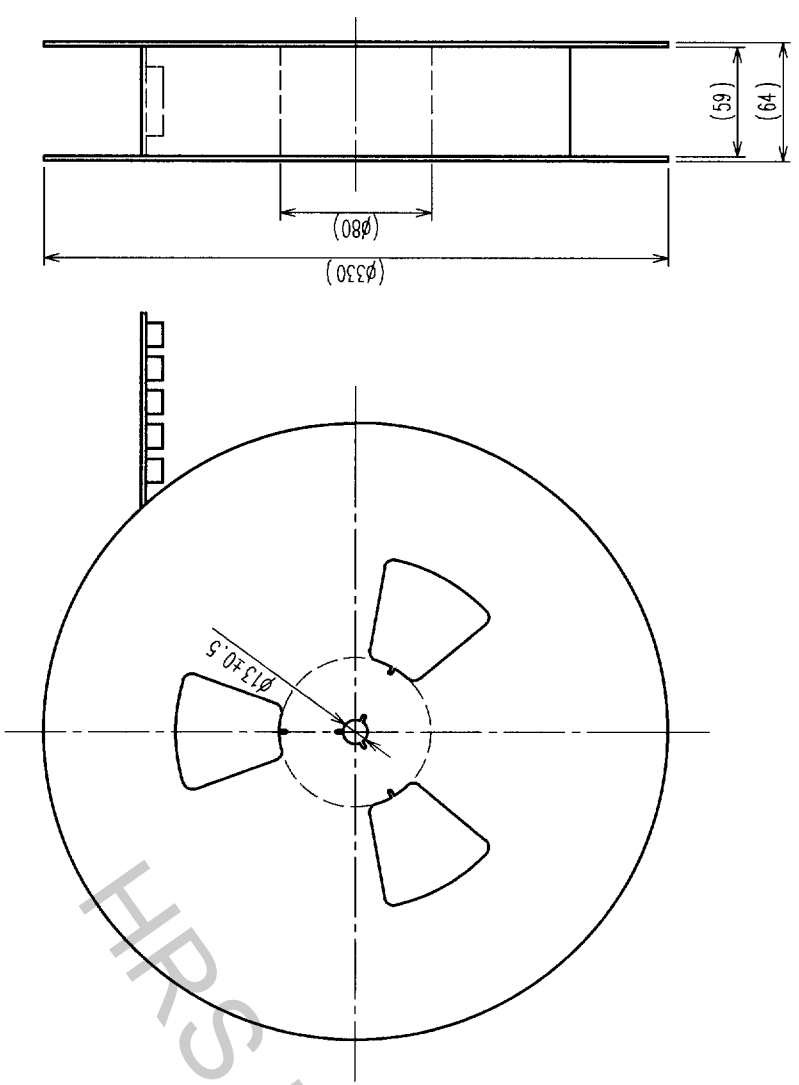


COUNT	DESCRIPTION OF REVISIONS	BY	CHKD	DATE	COUNT	DESCRIPTION OF REVISIONS	BY	CHKD	DATE
1					1				
2					2				
3					3				

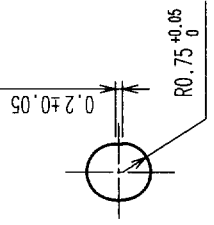


REELED DIMENSION (Free)



- NOTES
- 1 REEL: 1000 CONNECTORS.
 - 2 MINIMUM 10 COMPARTMENTS FROM BOTH REEL ENDS REMAIN EMPTY.
 - 3 THIS PRODUCT HAS NO POLARITY TO TAPE AND REEL PACKAGING.

A (5:1)



THE DIRECTION OF PULLING OUT

2		TOP COVER TAPE		3		(CONNECTOR)	
1		EMBOSSED CARRIER TAPE		NO.		MATERIAL	
NO.		MATERIAL		FINISH, REMARKS		FINISH, REMARKS	
CODE NO. (OLD)		DRAWN		DESIGNED		CHECKED	
CL		J. Saito		M. Sakata		M. Sakata	
DRAWING FOR PACKING		00-01-07		00-01-07		00-01-11	
DRAWING NO.		PART NO.		APPROVED		RELEASED	
EDC3-151989-01		FX10B-120S-SV(21)		00-01-11		00-01-11	
SCALE		UNITS		CODE NO.		CODE NO.	
2:1		mm		CL570-0252-5-21		2	

TO	
PCK	