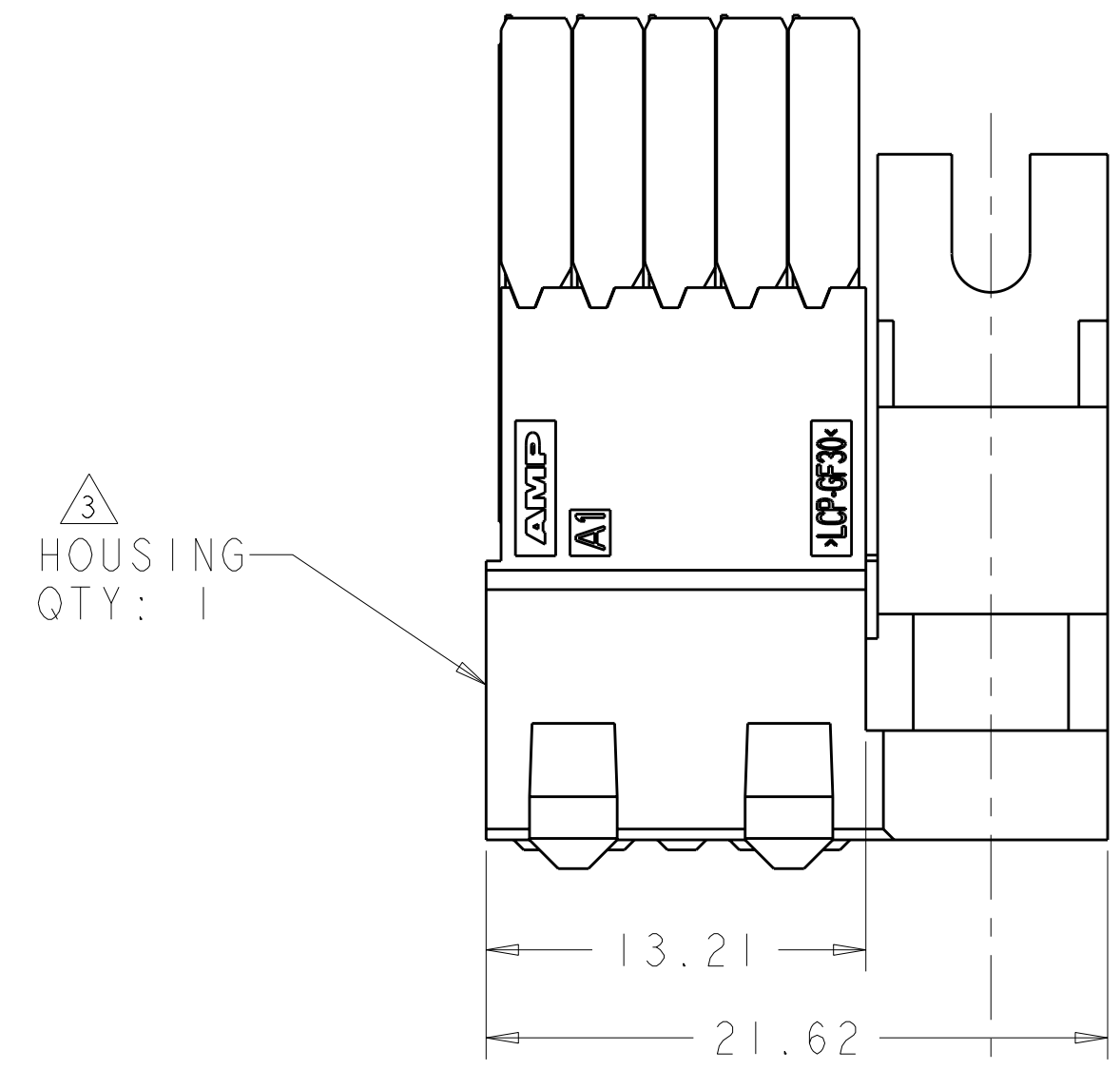
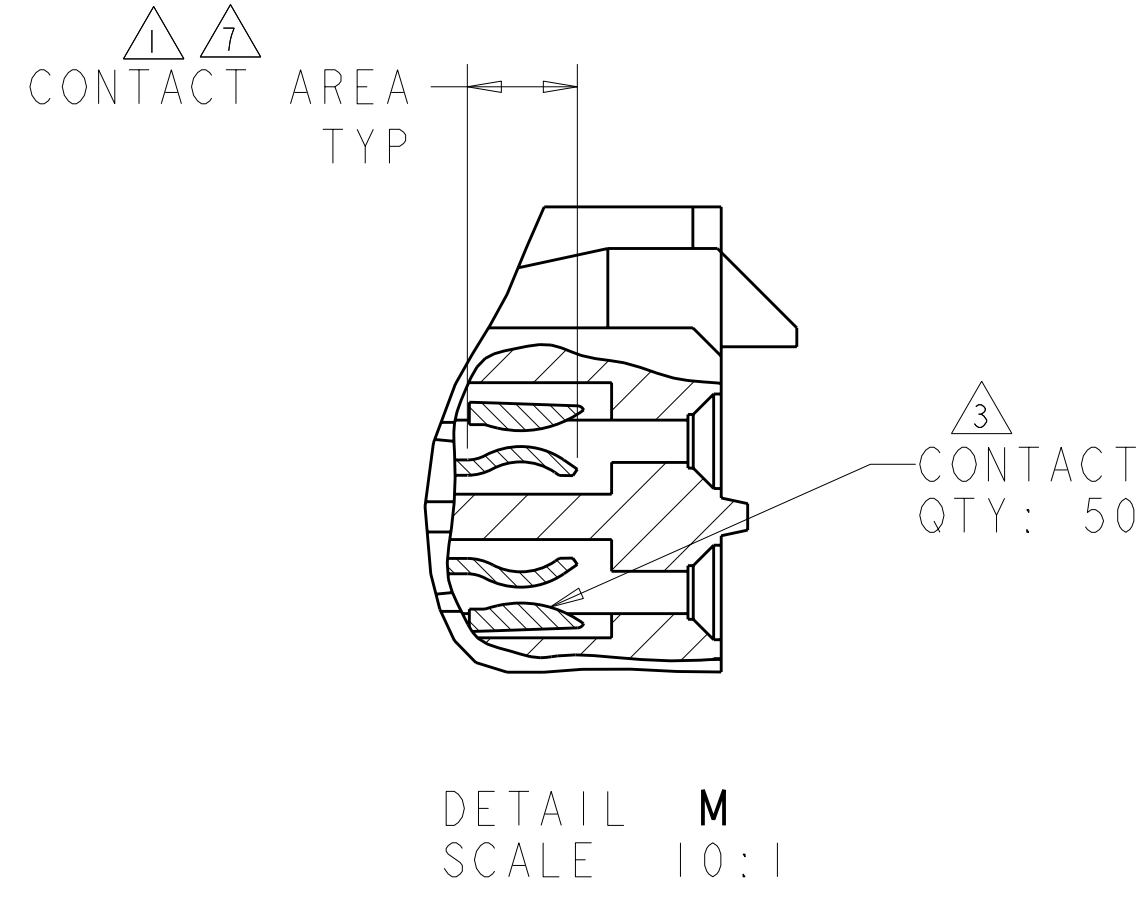
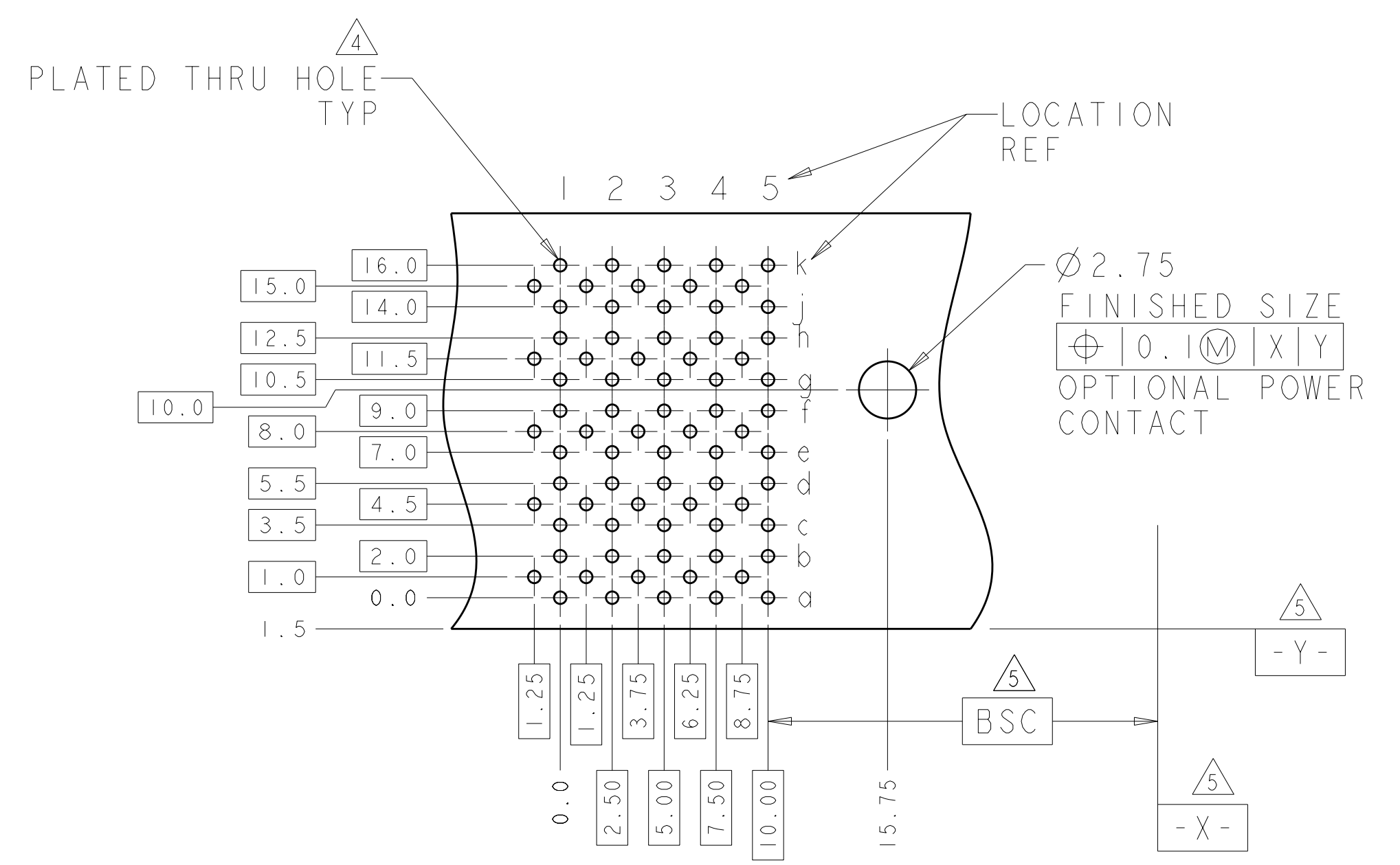
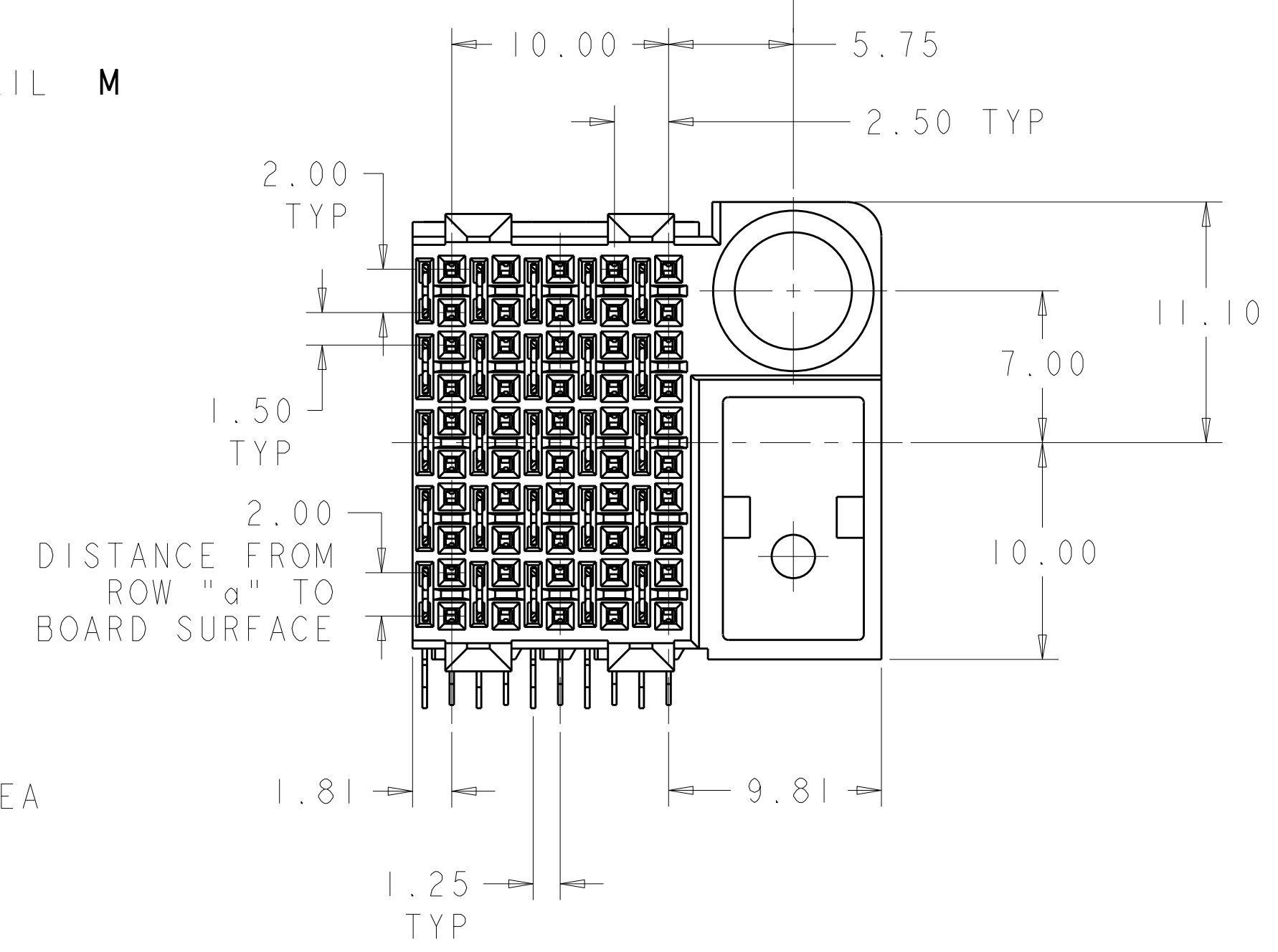
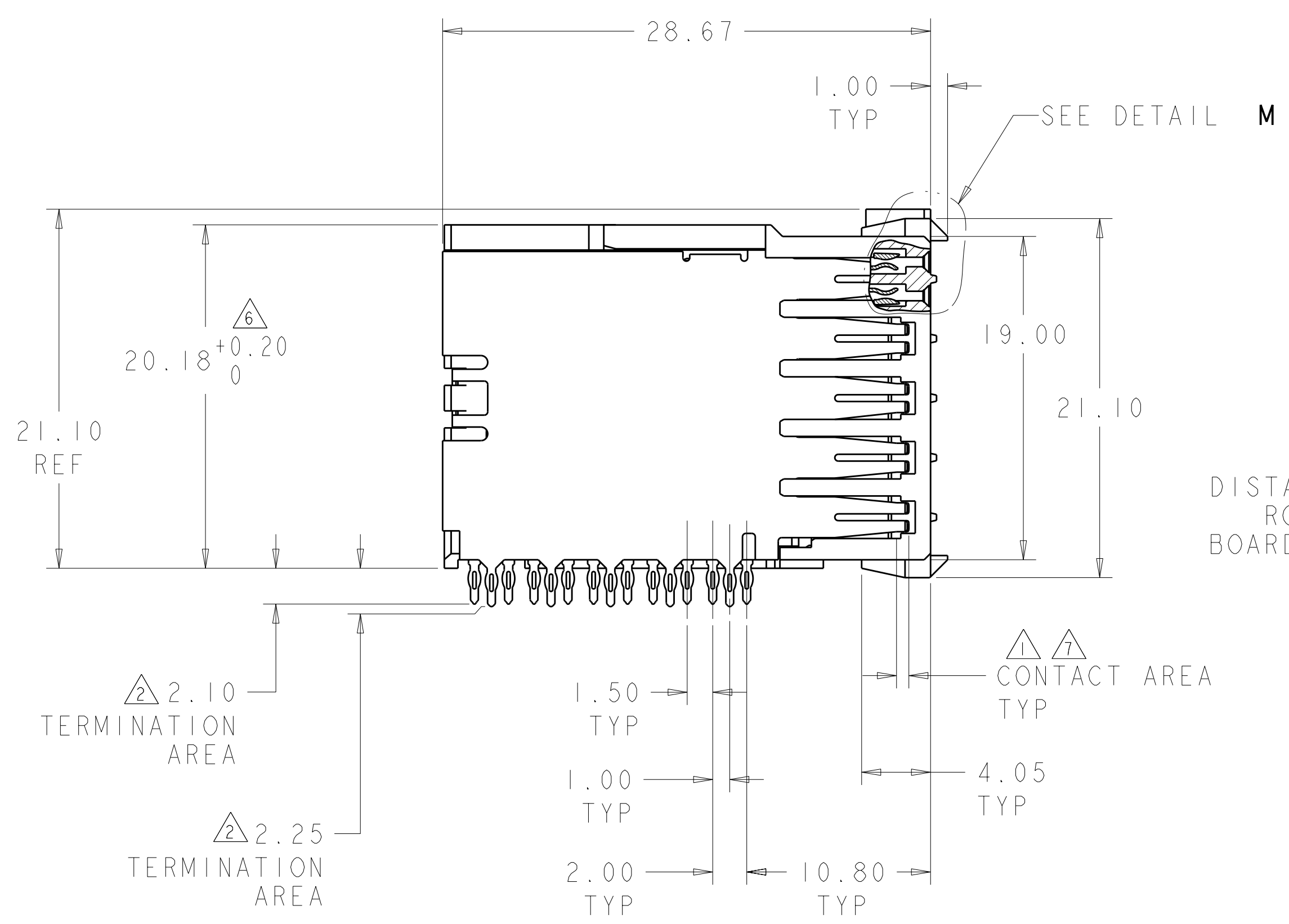


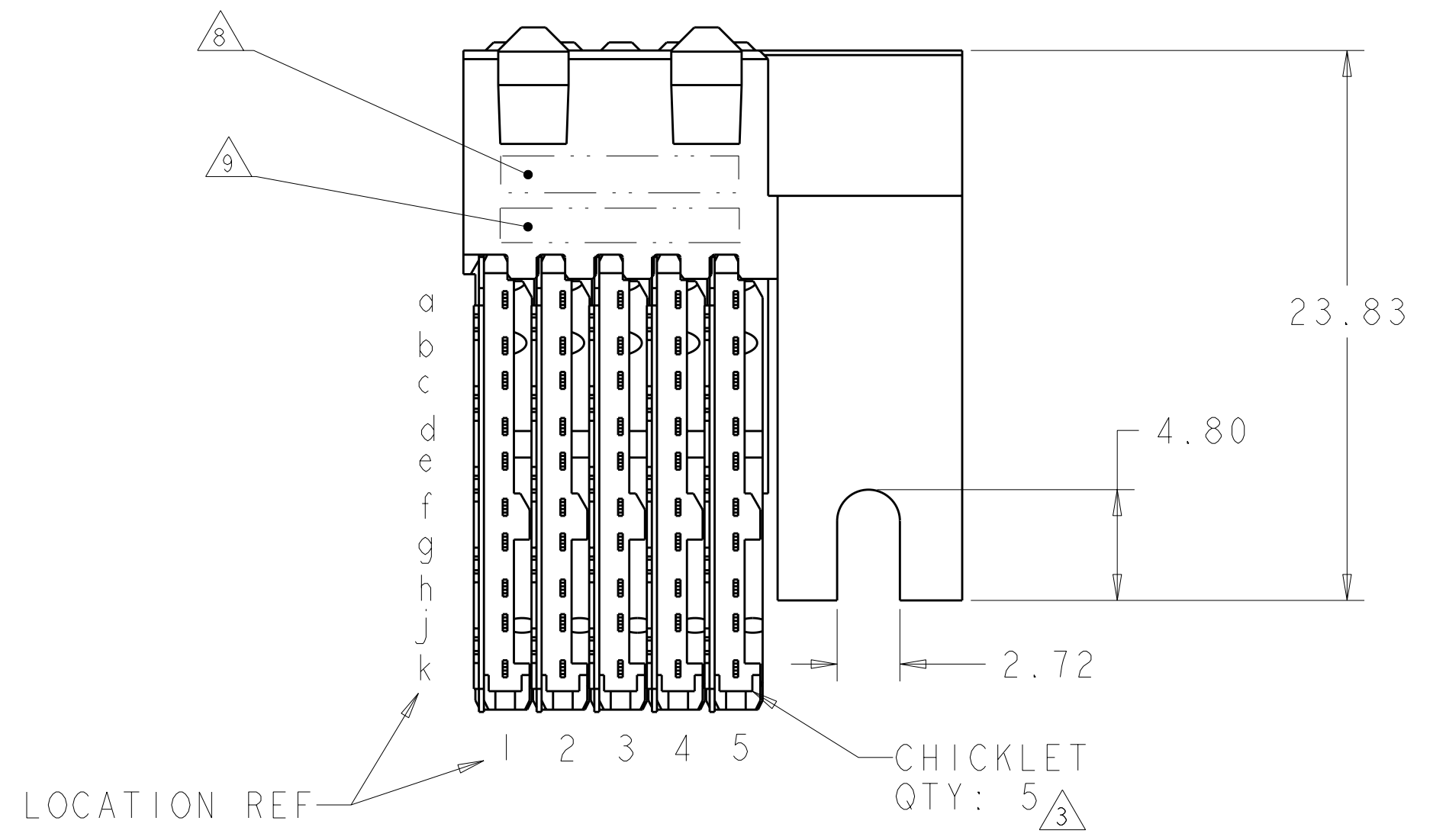
LOC	DIST	REV	DATE	BY	APPD
AD	00	A	13JUL2011	HMR	MH



- 1 CONTACT MATING AREA MEETS THE PERFORMANCE REQUIREMENTS OF TE CONNECTIVITY PRODUCT SPECIFICATION 108-1957; BASED ON TELCORDIA GR-1217-CORE, APPLICATIONS IN UNCONTROLLED ENVIRONMENTS.
- 2 0.76µm MIN TIN OVER 1.27µm MIN NICKEL
- 3 MATERIAL: CONTACT - COPPER ALLOY  
SHIELD - PHOSPHOR BRONZE  
HOUSING - LCP, UL94V-0  
CHICKLET - GLASS FILLED POLYESTER
- 4 REFERENCE APPLICATION SPEC 114-13020 FOR RECOMMENDED PLATED THRU HOLE DIAMETER AND PLATING THICKNESS.
- 5 DATUM AND BASIC DIMENSION ESTABLISHED BY CUSTOMER
- 6 SEATING HEIGHT TO BOARD SURFACE
- 7 CONTACT AREA LUBRICATED WITH BELLCORE APPROVED LUBRICANT  
TECHNICAL REFERENCE: GR-1217-CORE, ISSUE 1, NOVEMBER 1995
- 8 DATE CODE
- 9 PART NUMBER



RECOMMENDED PRINTED  
 CIRCUIT BOARD LAYOUT  
 COMPONENT SIDE OF PRINTED CIRCUIT BOARD



5120874-1  
 PART NUMBER

THIS DRAWING IS A CONTROLLED DOCUMENT.		OWN: B. CARBO 09DEC04	TE Connectivity
DIMENSIONS: mm		CHK: R. PATTERSON 09DEC04	NAME: RECEPTACLE ASSEMBLY, 50 POSITION, UNIVERSAL GUIDE PIN, RIGHT HAND, 10 ROW, DUAL BEAM, Z-PACK HS3
TOLERANCES UNLESS OTHERWISE SPECIFIED:		APPD: R. PATTERSON 09DEC04	SIZE: CAGE CODE DRAWING NO: A100779C=5120874
9 PLC ±0.2		PRODUCT SPEC: 108-1957	RESTRICTED TO: -
3 PLC ±0.13		APPLICATION SPEC: 114-13020	SCALE: 4:1 SHEET 1 OF 1 REV A
4 PLC ±0.05		WEIGHT: -	
ANGLES ±0.1		SOLDER TAIL: 2	
MATERIAL: 3		CONTACT: 3	CUSTOMER DRAWING