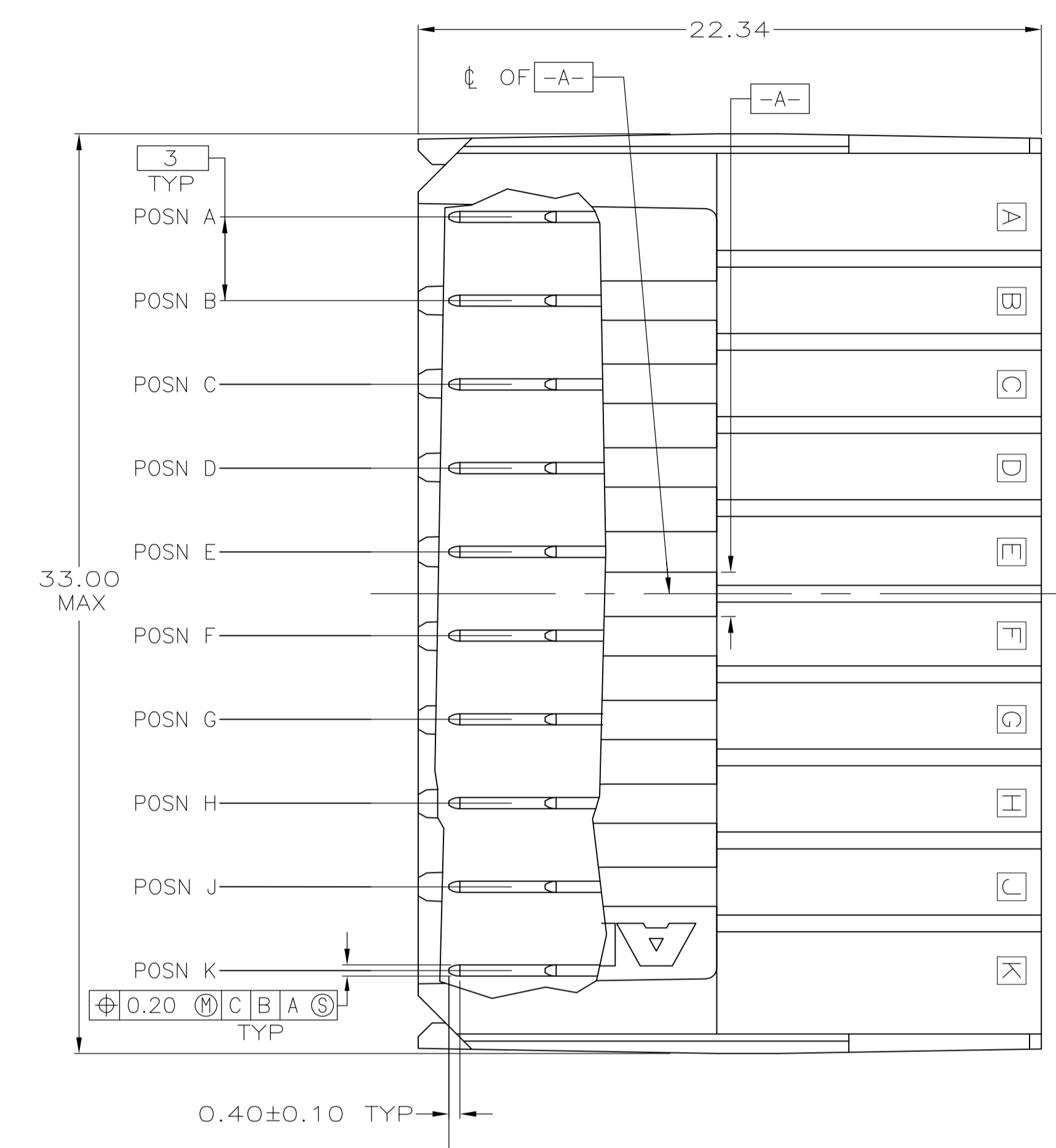
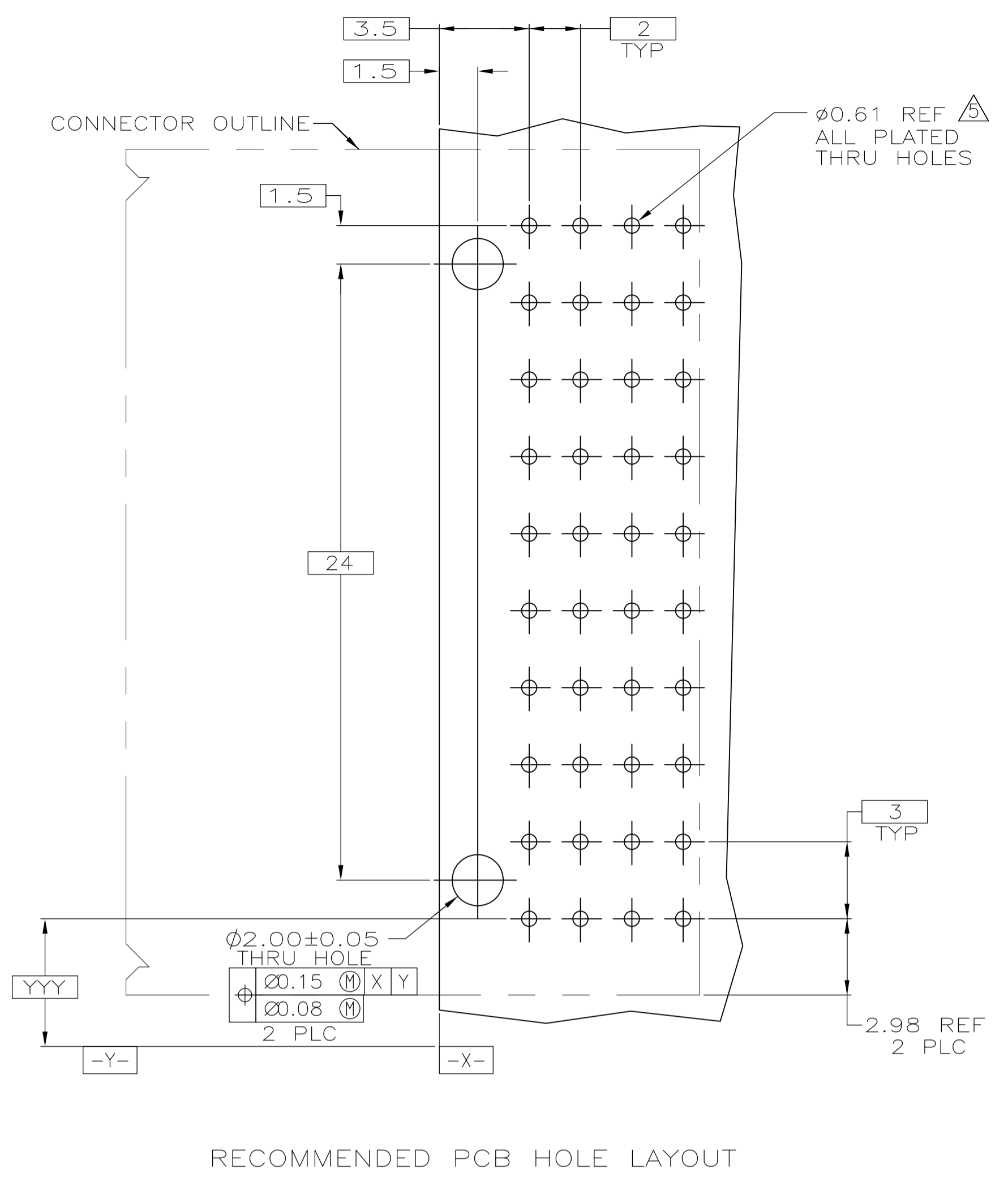
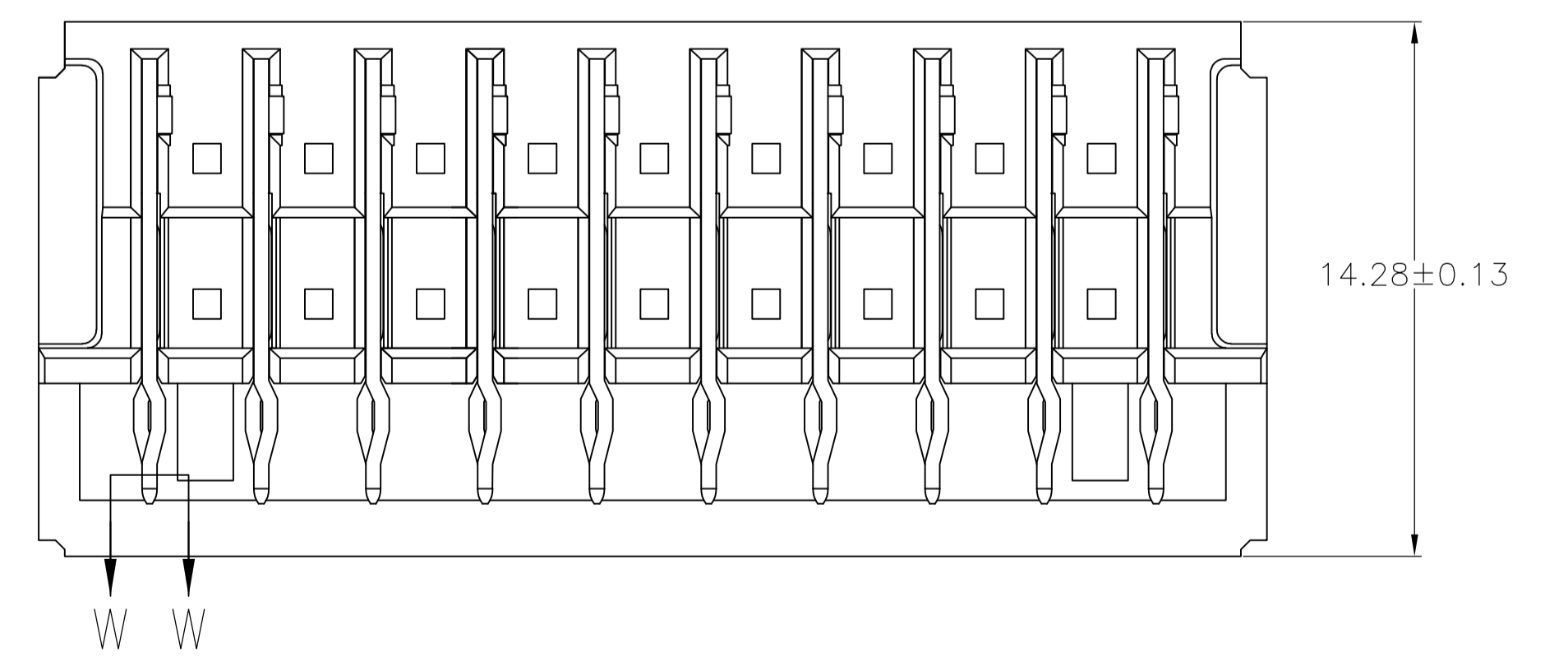
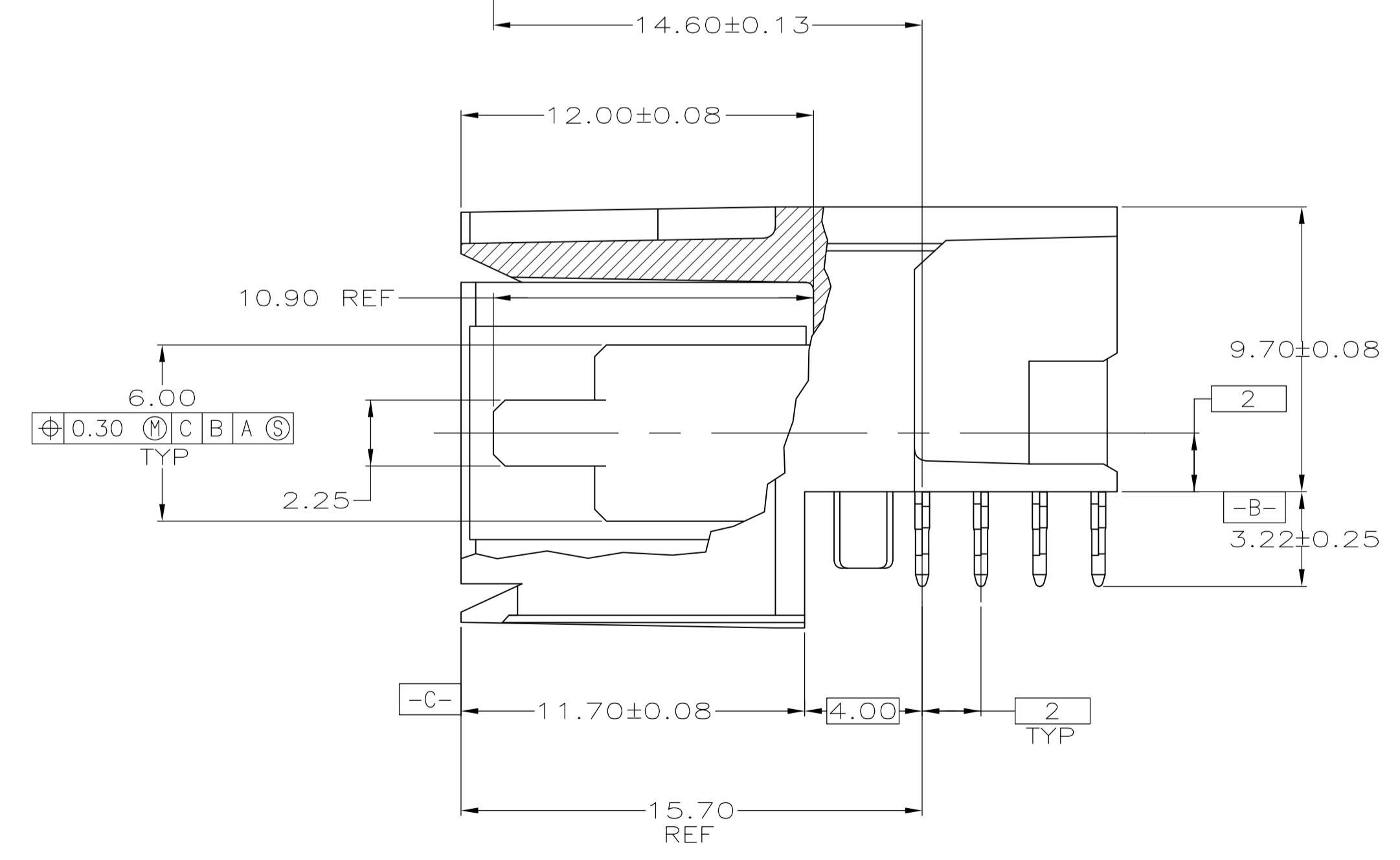
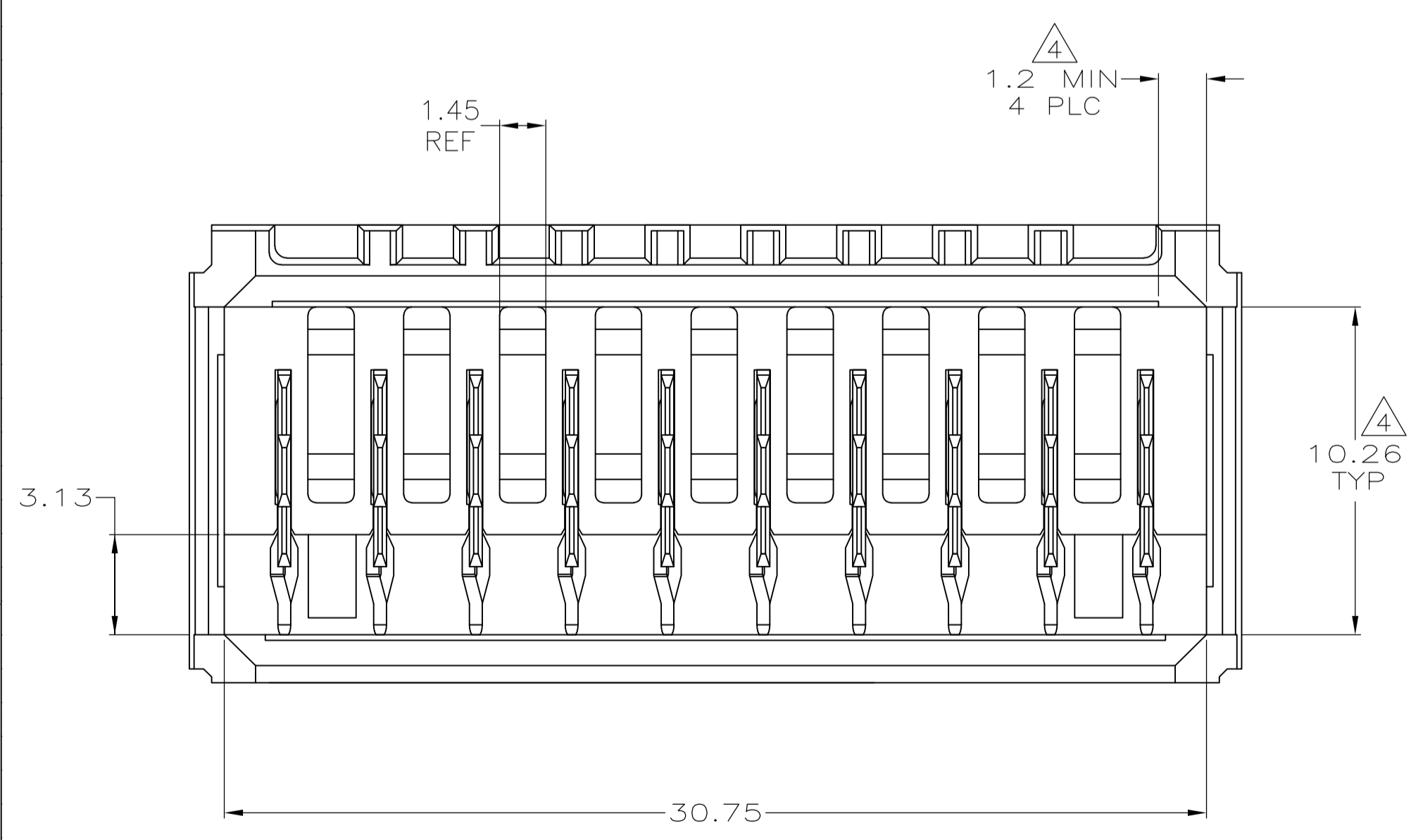
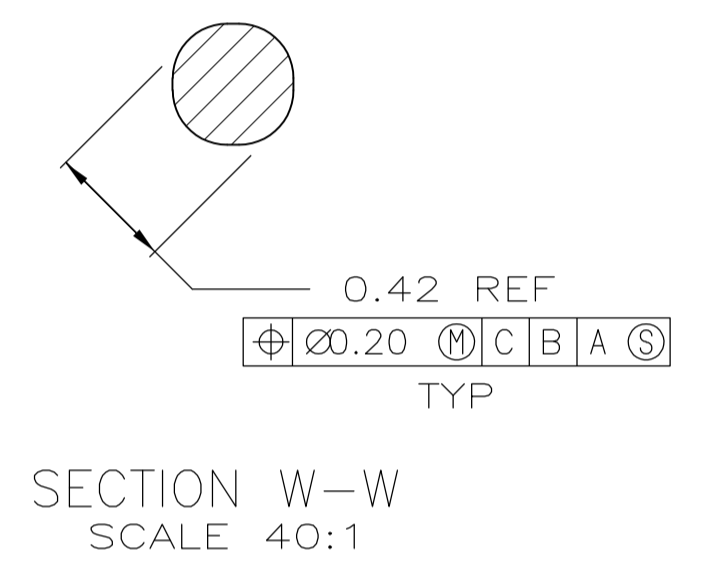


LOC		DIST		REVISIONS			
P	LTR	DATE	DMN	APVD			
C		05JAN11	DH	DY	REVISED PER ECO-11-000045		



- △ MATERIAL: HOUSING: POLYESTER. COLOR: GRAY. UL 94V-0. CONTACT: PHOSPHOR BRONZE.
 - △ FINISH: CONTACT MATING AREA: 1.27µm MIN GOLD OR 0.08µm MIN GOLD OVER 0.76µm MIN PALLADIUM-NICKEL. ACTION PIN AREA: 0.5µm MIN TIN PLATE, ALL OVER 1.27µm MIN NICKEL UNDERPLATE.
 - △ FINISH: CONTACT LUBRICATION WITH BELLCORE APPROVED LUBRICANT. TECHNICAL REFERENCE: GR-1217-CORE, ISSUE 1, NOVEMBER 1995.
 - △ THE 10.26±0.13 DIMENSION APPLIES IN THIS AREA.
 - △ REFERENCE APPLICATION SPEC 114-1103 FOR RECOMMENDED PLATED THRU HOLE DIAMETER AND PLATING THICKNESS.
6. CURRENT RATING 10A/CONTACT PER PRODUCT SPEC 108-1651.



5646960-1
PART NUMBER

THIS DRAWING IS A CONTROLLED DOCUMENT.		DIN B CARBO 150EC04	Tyco Electronics Corporation Harrisburg, Pa 17105-3608
DIMENSIONS: mm		CIK R PATTERSON 150EC04	
TOLERANCES UNLESS OTHERWISE SPECIFIED:		APVD R PATTERSON 150EC04	NAME
0 PLC ± -	1 PLC ± -	PRODUCT SPEC	ASSEMBLY, RIGHT ANGLE HEADER, W/ RETENTION PEGS, UNIVERSAL POWER MODULE
2 PLC ± 0.13	3 PLC ± -	APPLICATION SPEC	SIZE CAGE CODE DRAWING NO RESTRICTED TO
4 PLC ± -	ANGLES ± -	WEIGHT	A1 00779 C=5646960
MATERIAL	FINISH	CUSTOMER DRAWING	SCALE 6:1 SHEET 1 OF 1 REV C