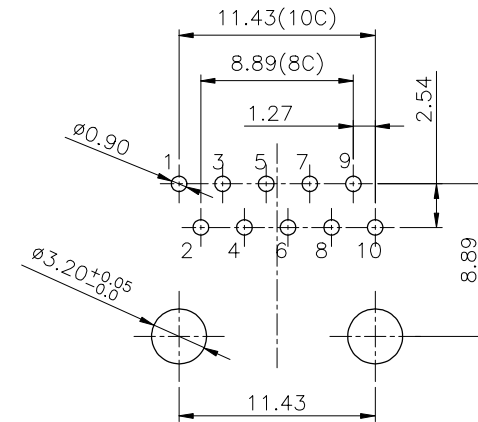
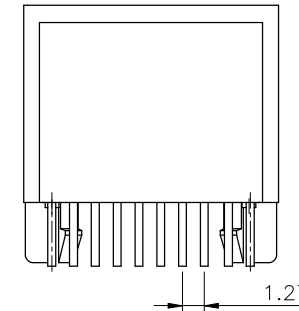
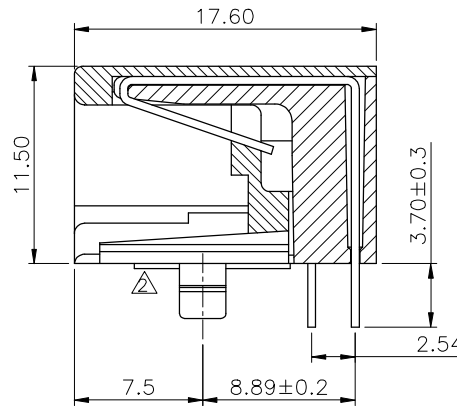
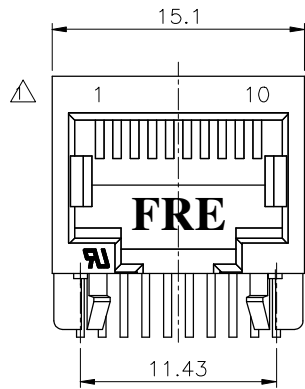


REVISION RECORD		
REV	DESCRIPTION	DRFT
△	MODIFY P/N & RoHS	05/11/2006 Aaron
△	DRAWING MODIFIY	SKYCHEN 11/30/06



Thickness=1.60mm

PC Board Layout Component Side Shown

NOTES:

ELECTRICAL:

- VOLTAGE RATING : 125 VAC RMS.
- CURRENT RATING : 1.5 AMP.
- CONTACT RESISTANCE : 45 MILLIOHMS MAX.
- INSULATION RESISTANCE: 1000 MEGOHMS MIN @ 500 VDC.
- DIELECTRIC STRENGTH : 1000 VDC RMS 60Hz, 1MIN.

MECHANICAL:

- HOUSING MATERIAL : PA6+GF30% UL94V-0./COLOR:BLACK.
- INSERTER MATERIAL : PBT+GF30% UL94V-0./COLOR:BLACK.
- CONTACT MATERIAL : PHOSPHOR BRONZE t=0.35mm.
- PLATING : GOLD PLATING OVER NICKEL.
- OPERATING LIFE : 750 CYCLES MIN.
- PCB RETENTION PRE-SOLDER : 1 LB MIN.
- PCB RETENTION POST-SOLDER: 10 LBS MIN.

ENVIRONMENTAL:

- STORAGE : -40°C TO +85°C.
- OPERATION: -40°C TO +85°C.
- WAVE SOLDERING TEMPERATURE: 255°C TO 265°C 5~10 SECONDS.
- RoHS COMPLIANT.

MATES WITH MODULAR PLUG CONFORMING TO
FCC PART 68, SUBPART F.
UL & CUL FILE NO. E163191

RoHS PART NUMBER: E560X-0000CX-L

NO. OF CONTACT: 1-3u" 2-6u"
8-8 CONTACTS 3-15u" 4-30u"
1-10 CONTACTS 5-50u"

DETACHED LISTS	MM (INCH)		DFTO Aaron	DATE 04/18/06'		RoHS Compliant
	TOLERANCES EXCEPT AS NOTED		CHKD ANKUE	DATE 2006/11/30		
	MM	±	APPVL LUSHENG	DATE 2006/11/30	TITLE 11.5 SIDE ENTRY PCB JACK 10P	
	.0 ± 0.20	±	MATERIAL :			
	.00 ± 0.15	±	QT'Y :		DRAWING NO. GE563A98-LB	
.000 ± 0.075	±	FINISH :		/PART NO. SEE NOTE		
ANGLES ± 0.5°		SCALE : 3:1		DO NOT SCALE DRAWING		SIZE A3
THIRD ANGLE PROJECTION				SHEET 1 OF 1		REV 2

8

7

6

5

4

3

2

1

A

B

C

D

E

F

G

H