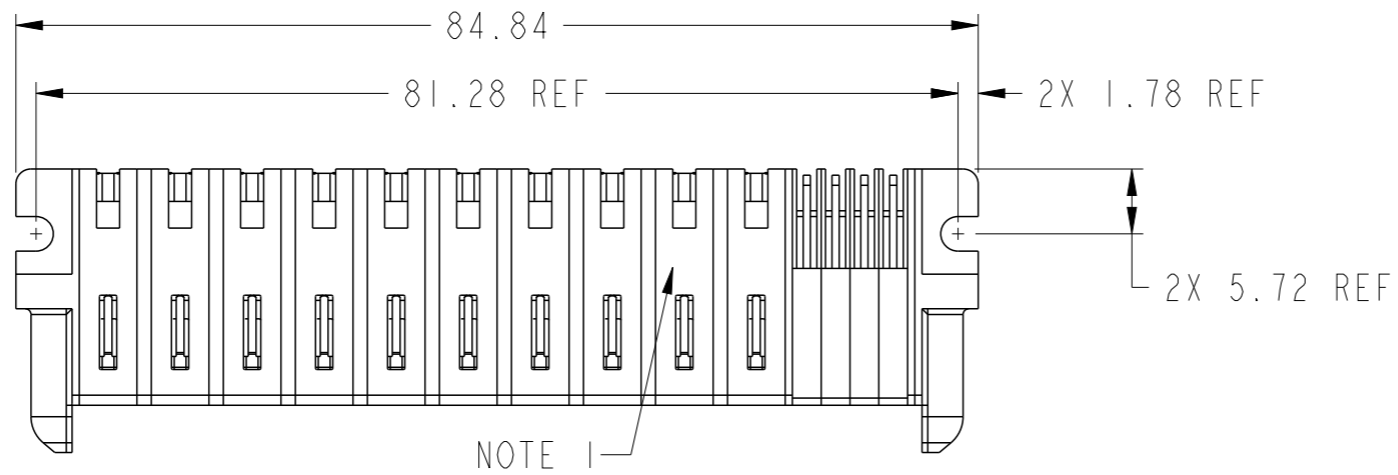
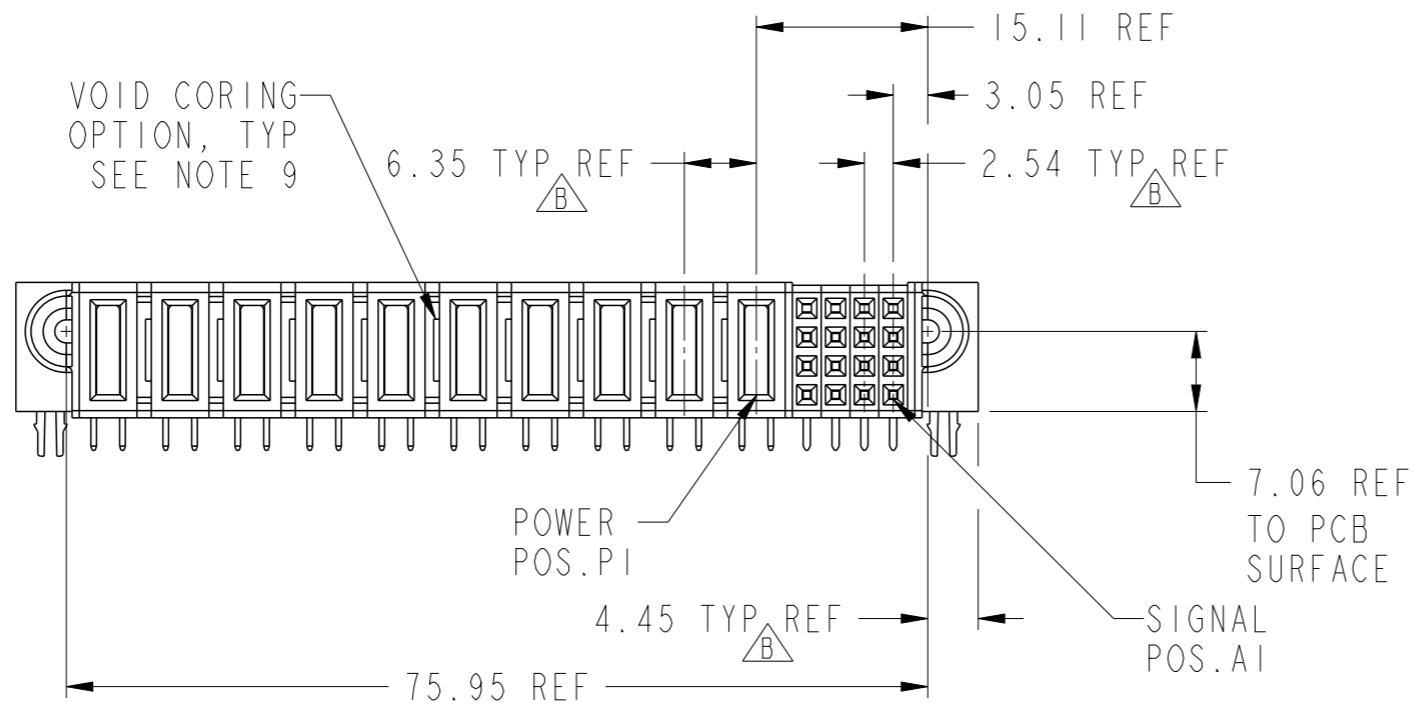


PART NUMBER 10106126-A004001LF



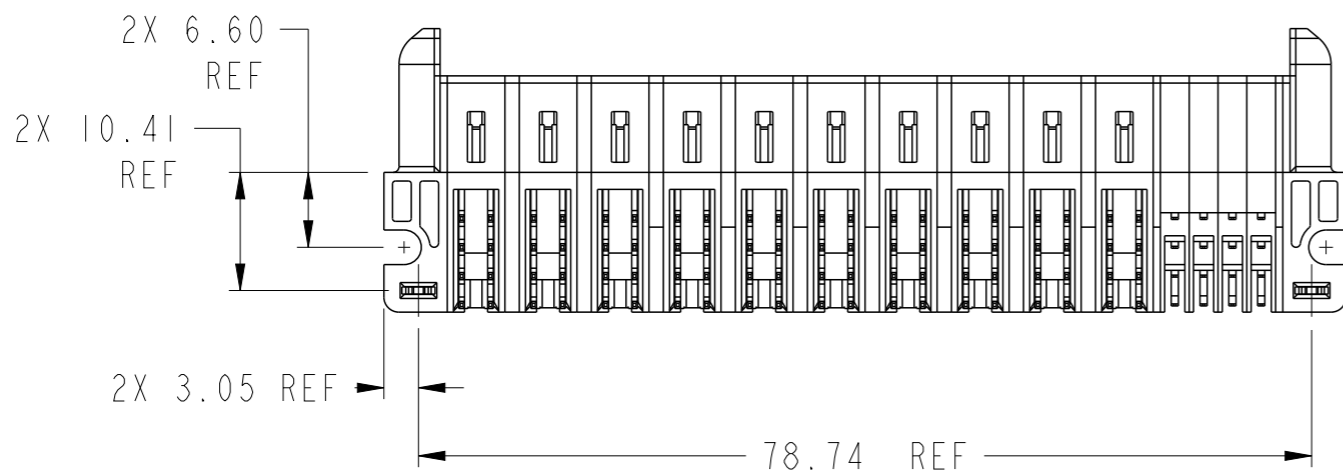
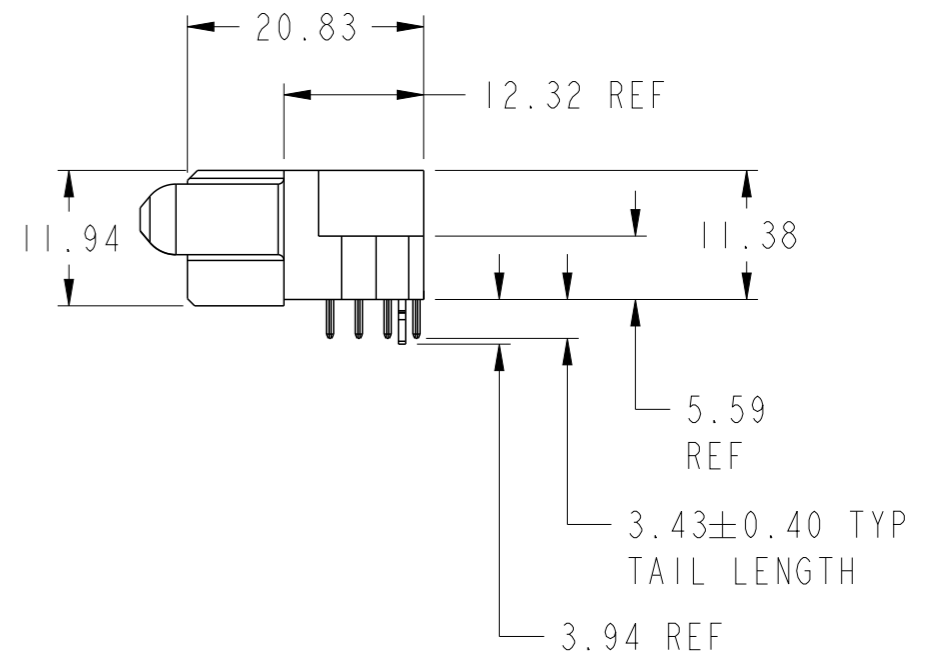
NOTE 1



VOID CORING OPTION, TYP SEE NOTE 9

POWER POS. PI

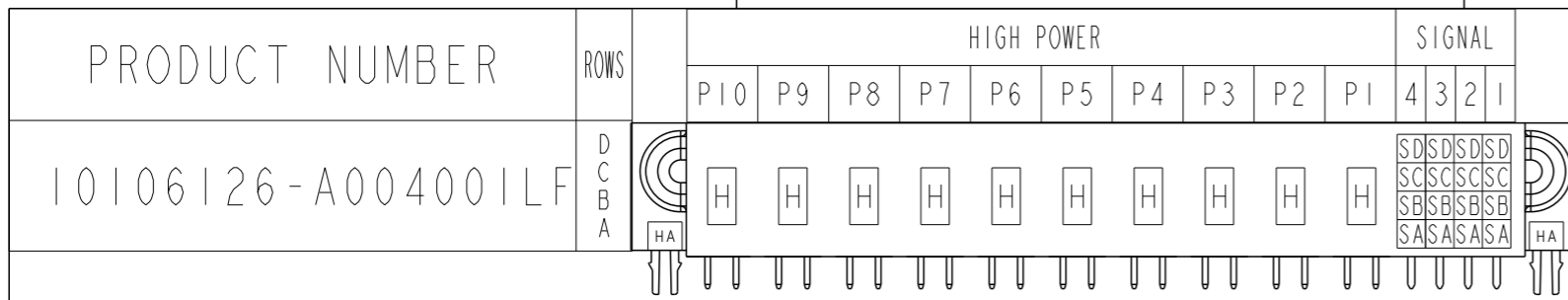
SIGNAL POS. AI



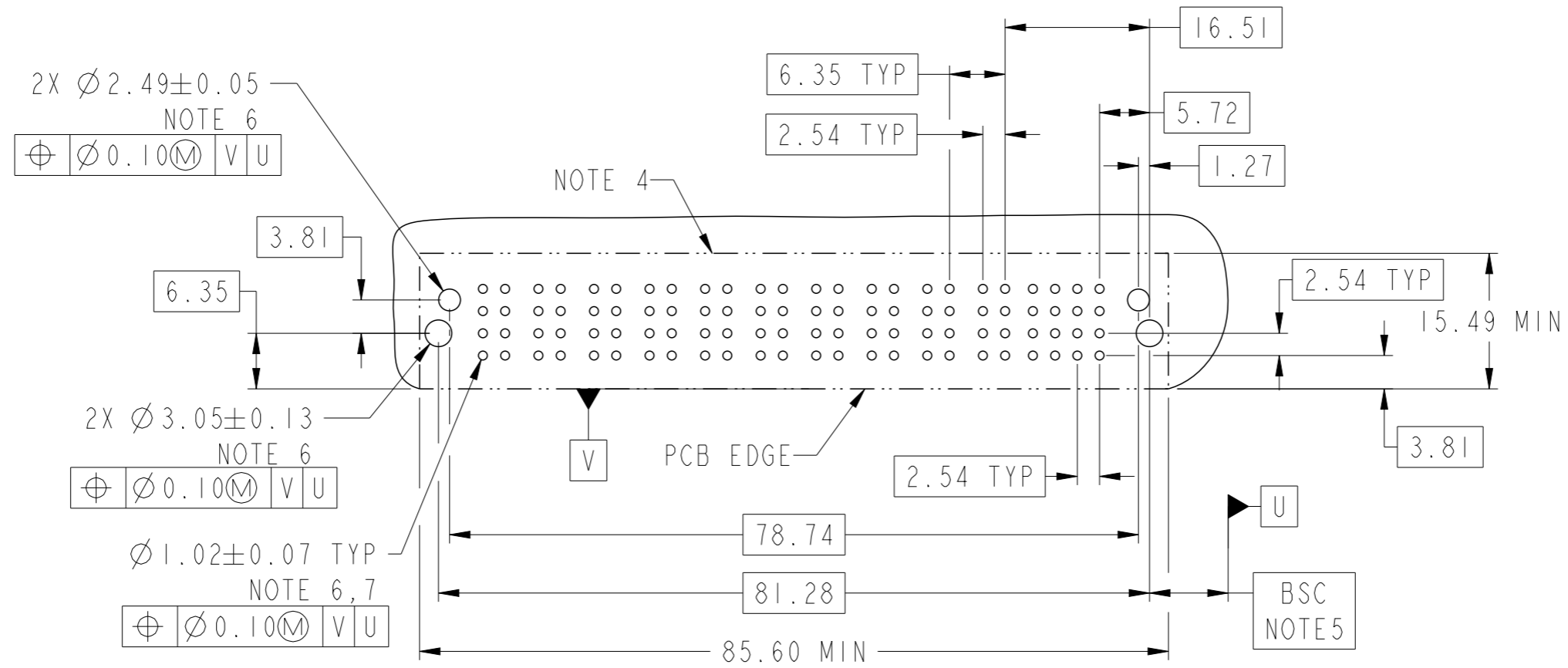
spec ref	*	dr	Helen Zhang	2012/02/05	projection	MM	size	A3	scale	3:2											
tolerance std	TOLERANCES UNLESS OTHERWISE SPECIFIED	eng	Peng-Bing Fu	2012/11/14			ecn no	ELX-DG-013144-1													
surface	<table border="1"> <tr> <td>linear</td> <td>0.X</td> <td>±0.50</td> </tr> <tr> <td></td> <td>0.XX</td> <td>±0.25</td> </tr> <tr> <td></td> <td>0.XXX</td> <td>±0.10</td> </tr> <tr> <td>angular</td> <td>0°</td> <td>±2°</td> </tr> </table>	linear	0.X	±0.50				0.XX	±0.25		0.XXX	±0.10	angular	0°	±2°	chr	Tian-Xu Huang	2012/11/15	product family	-	rel level
linear	0.X	±0.50																			
	0.XX	±0.25																			
	0.XXX	±0.10																			
angular	0°	±2°																			
		appr	Pei-Ming Zheng	2012/11/15			title	16S + 10HP		rev	B										
					www.fci.com	cat. no.	-	Product - Customer Drw	sheet 1 of 3												
							dwg no	10106126-A004001													



Copyright FCI.



CODE	DESCRIPTION
H	STD HIGH POWER CONTACT
SA	STD SIGNAL CONTACT, ROW A
SB	STD SIGNAL CONTACT, ROW B
SC	STD SIGNAL CONTACT, ROW C
SD	STD SIGNAL CONTACT, ROW D
HA	METAL HOLD DOWN



Copyright FCI.

spec ref	*	dr	Helen Zhang	2012/02/05	projection	MM	size	A3	scale	3:2													
tolerance std	TOLERANCES UNLESS OTHERWISE SPECIFIED	eng	Peng-Bing Fu	2012/11/14			ecn no	ELX-DG-013144-1															
surface	<table border="1"> <tr> <td>linear</td> <td>0.X</td> <td>±0.50</td> </tr> <tr> <td></td> <td>0.XX</td> <td>±0.25</td> </tr> <tr> <td></td> <td>0.XXX</td> <td>±0.10</td> </tr> <tr> <td>angular</td> <td>0°</td> <td>±2°</td> </tr> </table>	linear	0.X	±0.50				0.XX	±0.25		0.XXX	±0.10	angular	0°	±2°	chr	Tian-Xu Huang	2012/11/15	product family	-	rel level	Released	
		linear	0.X	±0.50																			
	0.XX	±0.25																					
	0.XXX	±0.10																					
angular	0°	±2°																					
		appr	Pei-Ming Zheng	2012/11/15			title	16S + 10HP		rev	B												
		www.fci.com		cat. no.	-	Product - Customer Drw		dwg no	10106126-A004001		sheet 2 of 3												

NOTES:

- 1) "FCI", PART NUMBER AND DATE CODE TO BE MARKED IN AREA SHOWN.
PART LENGTH UNDER 30MM SHOW DATE CODE ONLY.
- 2) MATERIALS:
-HOUSING - GLASS FILLED WITH HIGH TEMP THERMOPLASTIC, UL94V-0.
-SIGNAL CONTACT - COPPER ALLOY.
-POWER CONTACT - HIGH CONDUCTIVITY COPPER ALLOY.
- 3) PLATING SPECIFICATION REFER TO FCI 10116351
- 4) DENOTES CONNECTOR KEEP OUT ZONE.
- 5) DATUM AND BASIC DIMENSIONS WERE ESTABLISHED BY CUSTOMER.
- 6) ALL HOLE DIAMETERS ARE FINISHED HOLE SIZES.
- 7) 1.15 ± 0.025 MM DRILLED HOLE PLATED WITH 0.00762MM MIN Sn
OVER 0.0254-0.0762MM Cu PLATING TO ACHIEVE A 1.02 ± 0.07 MM HOLE.
- 8) PRODUCT SPECIFICATION REFER TO FCI GS-12-658.
APPLICATION SPECIFICATION REFER TO FCI GS-20-141.
PRODUCT PACKAGED IN TRAYS, REFER TO FCI GS-14-1502.
- 9) THE VOID CORING IN BETWEEN POWER MODULES, SIGNAL
MODULES AND END MODULES ARE OPTIONAL AND THE SHAPE
MAY BE DIFFERENT FOR OPTIMIZE THE MOLDING PROCESS. THE
VOID CORING WILL NOT EFFECT TO PRODUCT FUNCTION.
- 10) A $\triangle B$ SYMBOL WILL BE NEXT TO ANY DIMENSION, VIEW, OR NOTE WHICH
HAS BEEN MODIFIED WITH THE CURRENT DRAWING REVISION.



Copyright FCI.

spec ref *		dr	Helen Zhang	2012/02/05	projection	MM	size	A3	scale	3:2
tolerance std		eng	Peng-Bing Fu	2012/11/14		← →	ecn no		ELX-DG-013144-1	
TOLERANCES UNLESS OTHERWISE SPECIFIED		chr	Tian-Xu Huang	2012/11/15			product family		rel level	
surface ✓	linear	0.X	±0.50		16S + 10HP		dwg no	10106126-A004001		rev
		0.XX	±0.25							
	0.XXX	±0.10								
	angular	0°	±2°	www.fci.com	cat. no.	-	Product - Customer Drw		sheet 3 of 3	