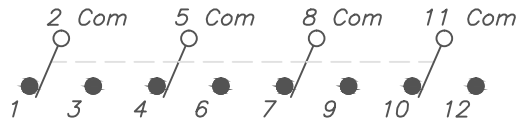


RECOMMENDED P.C.B. LAYOUT
SCALE 1X

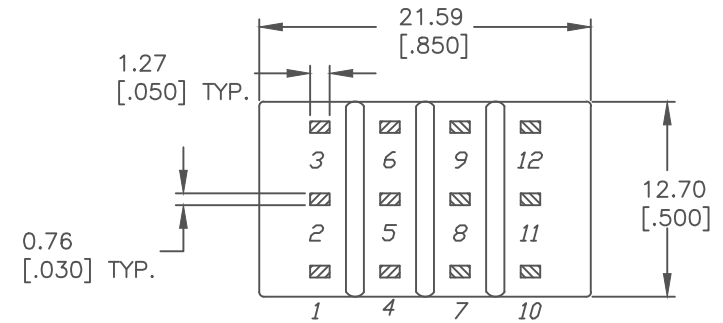
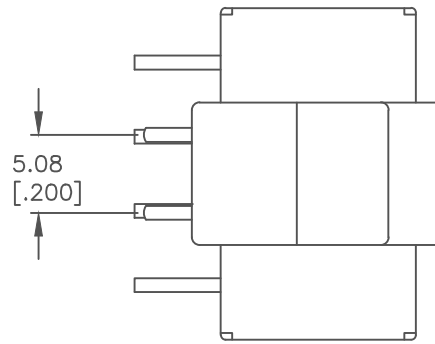


CIRCUIT: 4PDT

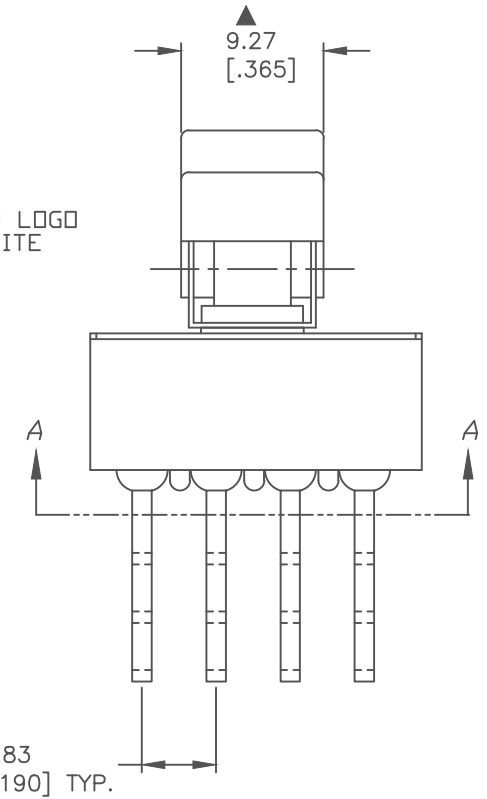
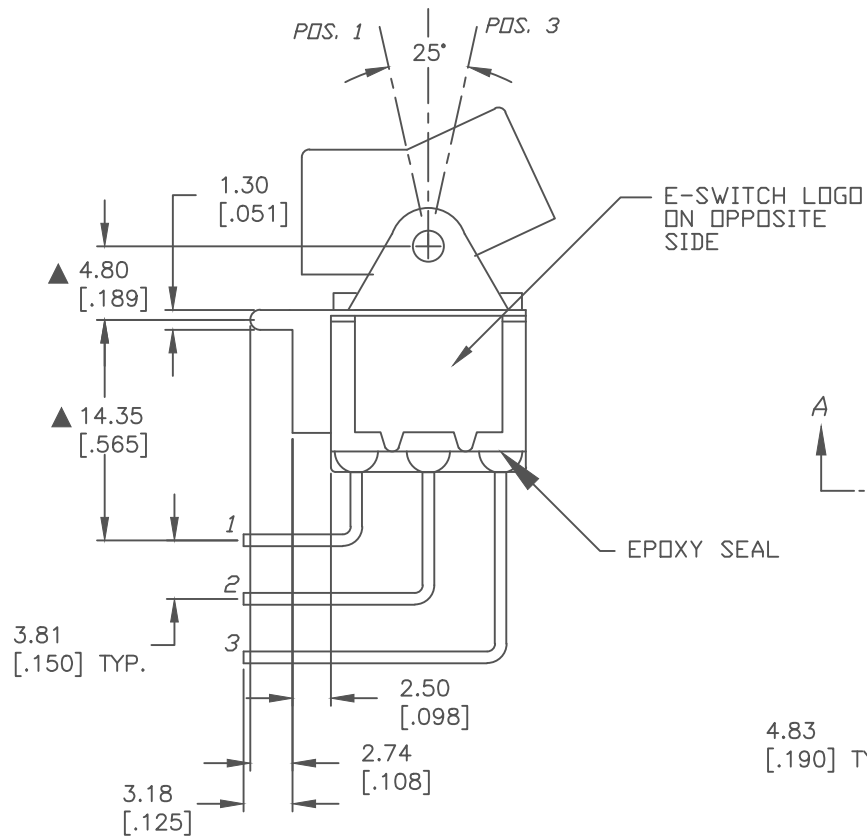
SWITCH FUNCTION		
PDS. 1	PDS. 2	PDS. 3
ON	OFF	ON
2-3,5-6 8-9,11-12	2-3, 5-4 8,9 11-10	2-1, 5-4 8,7 11-10

NOTES:

- ALL DIMENSIONS IN MM [INCH]
- GENERAL TOLERANCE: X.X=±0.4
X.XX=±0.25
- TERM. NOS. FOR REF. ONLY
- RATING: 5A @120VAC or 28VDC; 2A @250VAC.
- CONTACT MATERIAL: Copper Alloy w/Silver Plating.
- ELECTRICAL LIFE: 50,000 make-and-break cycles at full load.
- INSULATION RESISTANCE: 1,000M ohm min.
- DIELECTRIC STRENGTH: 1,000 V RMS @sea level.
- OPERATING TEMP.: -30°C to 85°C
- ▲ DENOTES CRITICAL PARAMETER.



SECTION A-A



B	22420	Update Dim. 5.97 to 4.80	8/2/16	MW
A	13096	RELEASED FOR PRODUCTION	4/30/03	AR
REV.	ECN No.	DESCRIPTION	DATE	CHKD

TITLE	3004P3J1BLKM7QE			
SCALE	2:1	DATE	4/30/03	DR
			AR	DWG
			T346006	REV
				B

THE INFORMATION CONTAINED IN THIS DOCUMENT IS PROPRIETARY TO E-SWITCH AND IS NOT TO BE COPIED OR TRANSFERRED