

A

B

C

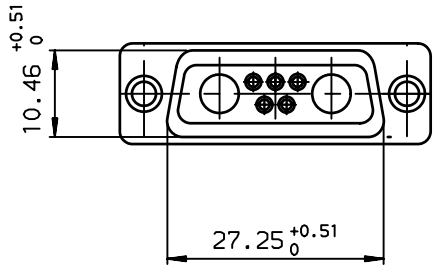
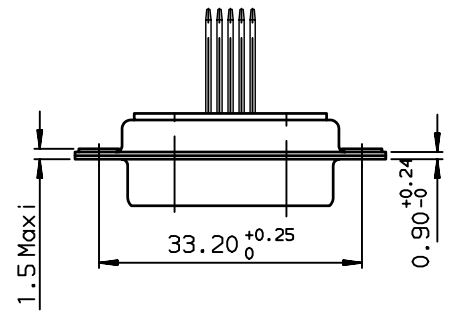
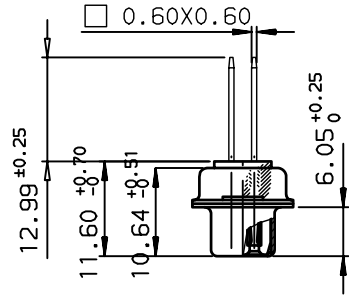
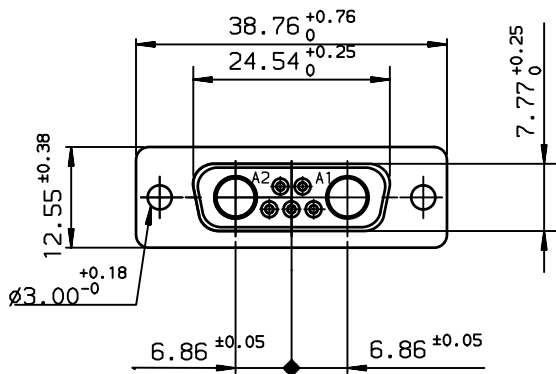
D

A

B

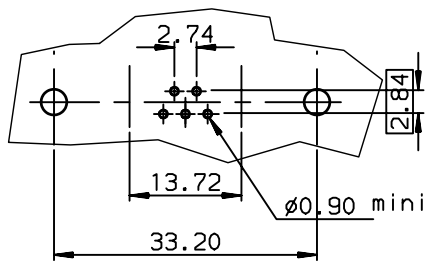
C

D



DA7W2S400A00LF  
PART NUMBER

LAYOUT DIMENSIONS (after plating)  
CONNECTOR SIDE VIEW



GENERAL CHARACTERISTICS AND ROHS INFORMATIONS:  
SEE DRAWING C01-8639-0000

European Views

www.fciconnect.com		surface ISO 1302 ✓	tolerance std ISO 406 ISO 1101	projection mm	size A3	Scale 1.5
TOLERANCES UNLESS OTHERWISE SPECIFIED				ANGULAR	0.X ±0.1	ECN LS06-0095
				LINEAR	0.XX ±0.1	Spec ref -
				0.XX' ±2'	0.XXX ±0.1	
Dr	JOUBERT	2005/11/24	Product family D-SUB			
Eng	PESSON	2005/11/24	Spec ref -			
Chr	LEGARE	2005/11/24				
Appr	LEGARE	2005/11/24				
FCI		SOCKET CONNECTOR WITH WIRE WRAP			title	Rev.
					catalog no	B
					dwg no	C01-8639-2248
					CUSTOMER	sheet 1 of 1

rev	ecn no	dr	date
A	LS05-0106	MPE	2005/11/24
B	LS06-0095	LGO	2006/06/15
-	-	-	-
-	-	-	-
-	-	-	-
-	-	-	-



Copyright FCI.