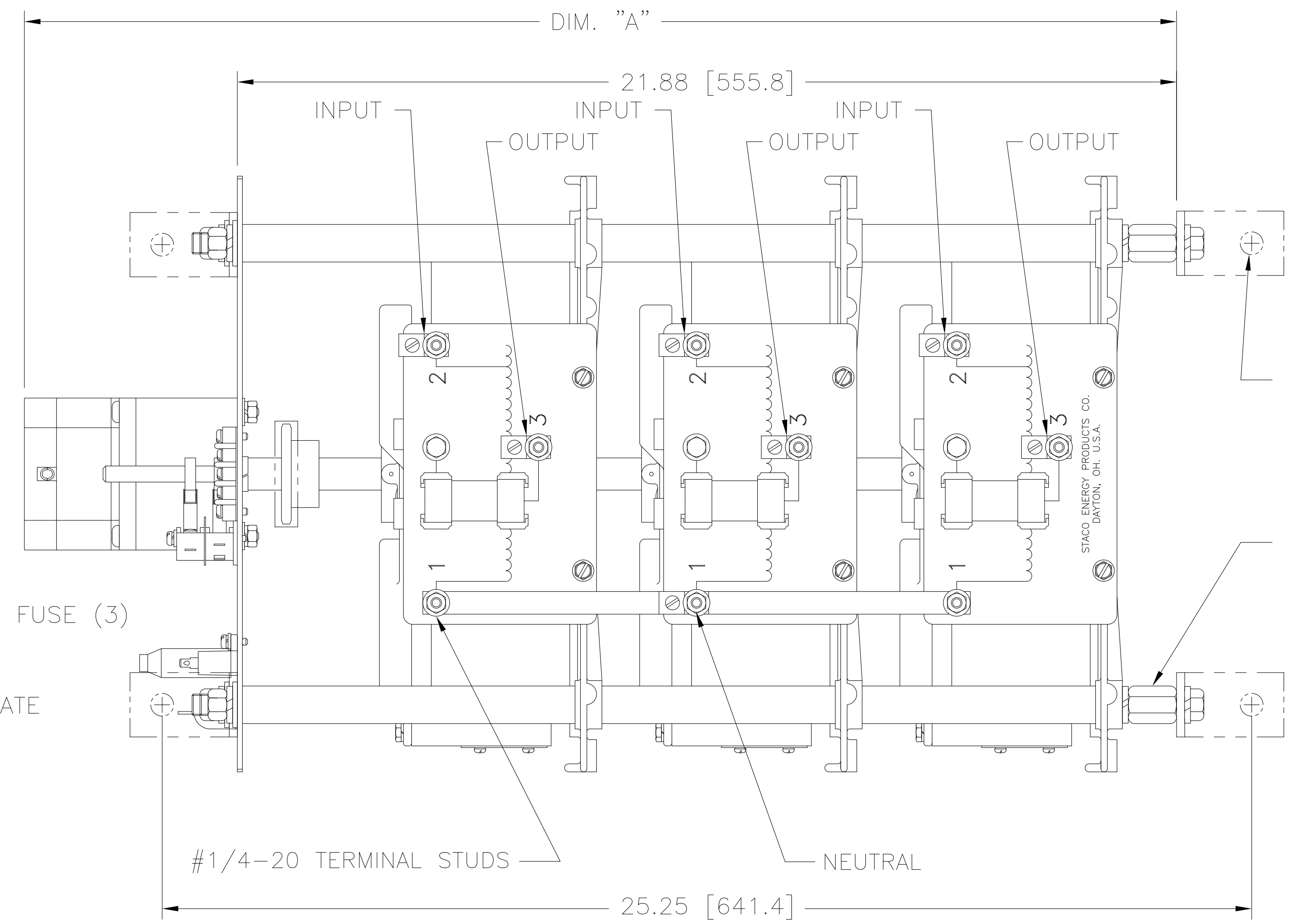
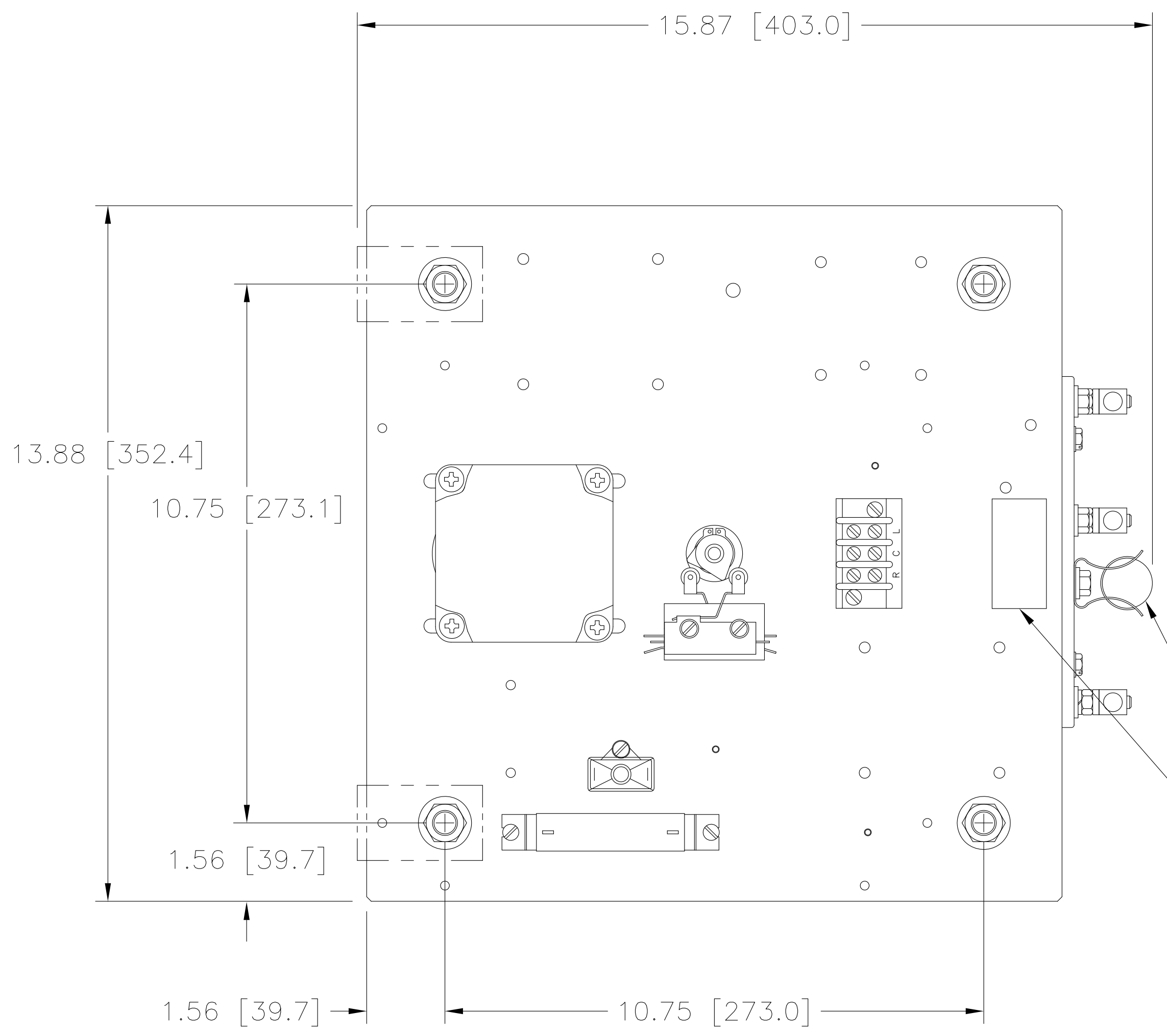
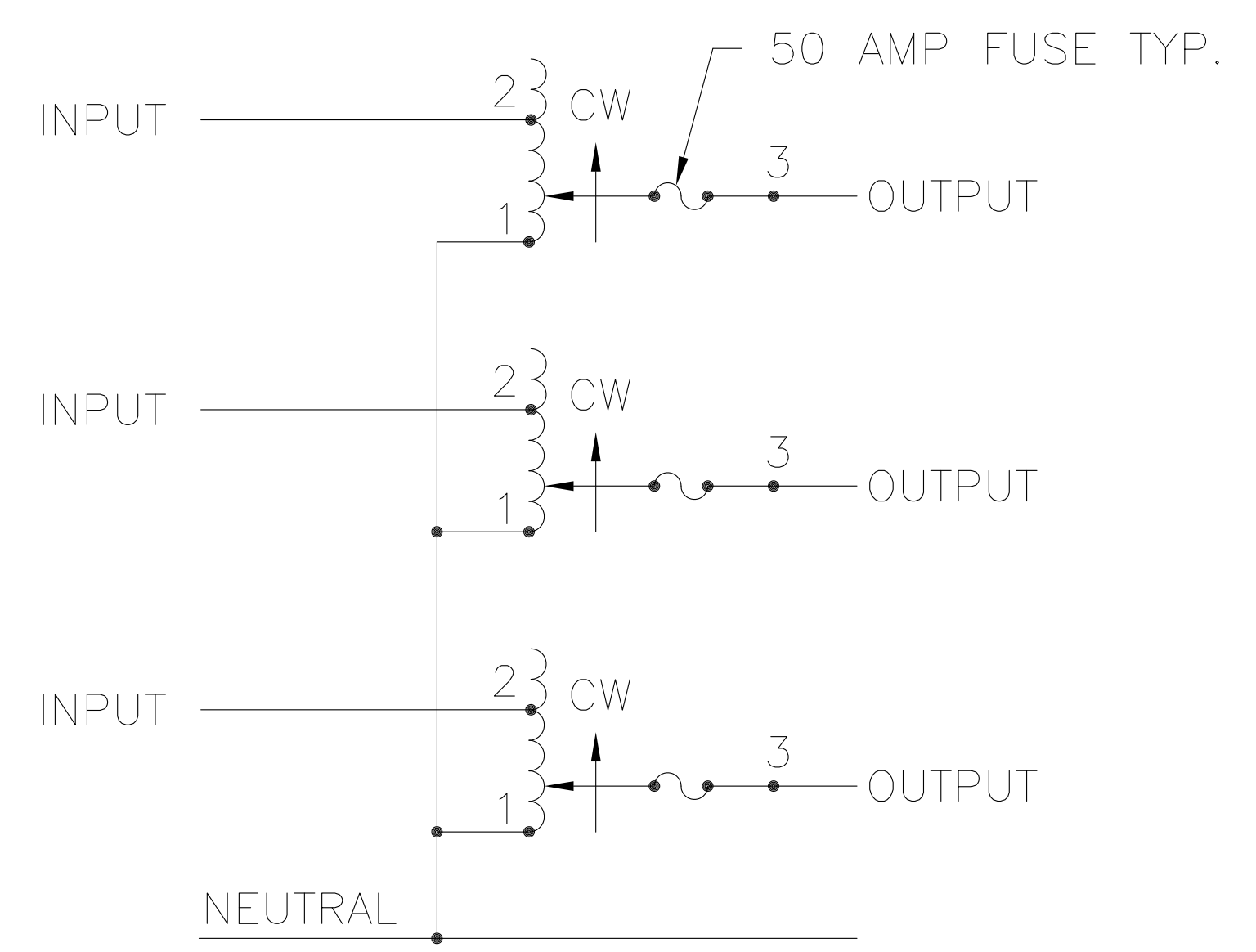


DWG. NO.	031-6864		
REVISIONS			
SYM.	E.C.N.	DATE	APVD.
A	23457	8/12/97	REVISED & REDRAWN
B	24281	6/13/00	REVISED & UPDATED
C	24951	10/8/02	NEW MOTOR
D	28606	10/4/16	CORRECTED 15 30 & 60 SEC DIM

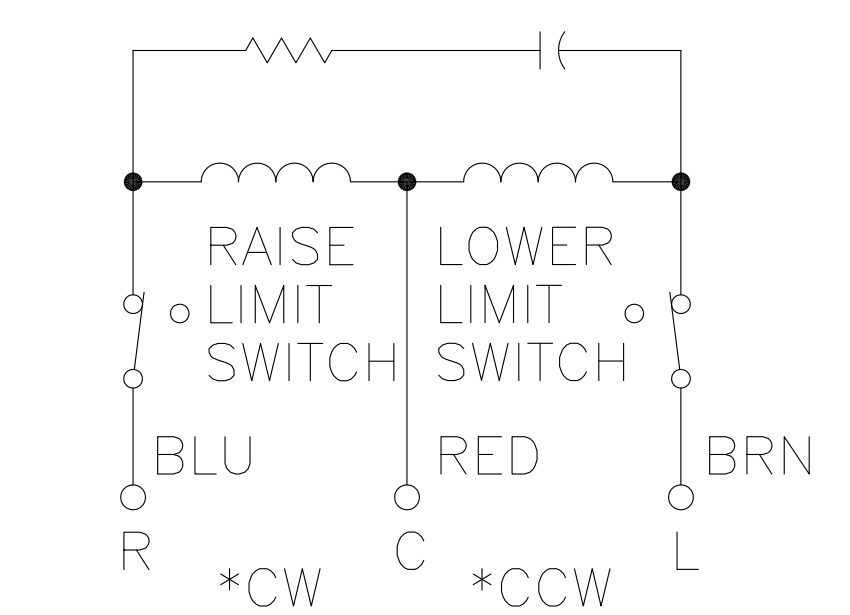


.53 [13.4] DIA. HOLE FOR CUSTOMER MTG. (4) HOLES

1/2-13 X .56 [14.2] DP. STANDOFFS FOR MTG. BOLTS



SCHMATIC



MOTOR CIRCUIT
120V, 50/60 HZ
* ROTATION AS VIEWED FROM TOP END
MOTOR SPEEDS: SEE CHART

MODEL NUMBER	SPEED (SECONDS)	DIM "A"
5M5011-3Y	5	25.56 [649.2]
15M5011-3Y	15	26.84 [681.8]
30M5011-3Y	30	26.84 [681.8]
60M5011-3Y	60	26.84 [681.8]

WIRING	INPUT		OUTPUT		SHAFT ROTATION FOR VOLTAGE INCREASE	TERMINAL CONNECTIONS FOR INCREASING VOLTAGE AS VIEWED FROM TOP		
	VOLTS	HERTZ	VOLTS	CONSTANT CURRENT LOAD		INPUT	OUTPUT	
				MAX. AMPS				MAX. KVA
THREE PHASE WYE	240	60	0-280	50	24.2	CW	2-2-2 3-3-3	

UNLESS OTHERWISE SPECIFIED, TOLERANCE IS ±
 DECIMALS HOLES ANGLES DRAFT
 .XX .012 .03 1° 1-1/2°
 .XXX .005

MATERIAL: ALL DIMENSIONS APPLY AFTER PLATING

TITLE: SPEC. CONTROL DRAWING
 MOTORIZED VARIABLE XFMR.
 TYPE: M5011-3Y

STACO ENERGY PRODUCTS CO.
 A Components Corporation of America Company
 301 Gaddis Boulevard Dayton, Ohio 45403 USA

DRAWN BY TIM RAU	DATE 7/25/97	FIRST USED ON	DO NOT SCALE DWG.
CHECKER	DATE	WEIGHT APPROX. 233 LBS.	CAGE CODE 83008
ENGINEER	DATE	SCALE 1/2	SHEET 1 OF 1

DWG. NO. 031-6864