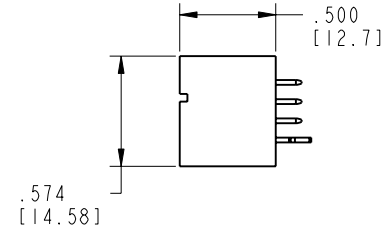
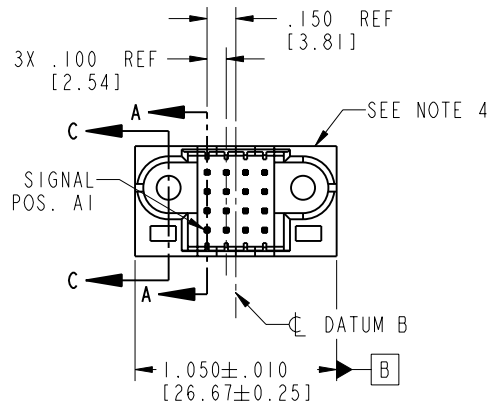


Tous droits strictement réservés. Reproduction ou communication o des liens interdite sous quelque forme que ce soit sans autorisation écrite du propriétaire. Propriete de c FCI. Droits de reproduction FCI.

FCI

All rights strictly reserved. Reproduction or issue to third parties in any form, whomever is not permitted without written authority from the proprietor. Property of FCI. Copyright FCI.

PRODUCT NO.	ROWS	SIGNAL				E2
		E1	1	2	3	
51952-090-- NOTE: 3	D C B A					



CODE	DIM "M" MATING LENGTH	CONTACT TYPE
E	.270 [6.86]	SIGNAL
HA	N/A [N/A]	HOLD-DOWN
H	.220 [5.59]	SIGNAL

mat'l code				SEE NOTE 2		tolerances unless otherwise specified		CUSTOMER		 www.fciconnect.com	
lfr	ecn no.	dr	date	linear	.XX±.01/0.X±0.3		COPY		 INCH/MM	title	
A	DG06-0091	JMG	03/06/06		.XXX±.005/0.XX±0.13		projection			16S	
				angles	.XXX±.0020/0.XXX±0.051		 scale 1:1		VERTICAL SOLDER HEADER		
				dr	JM GUO	03/06/06	product family		PwrBlade	code	
				engr	SLUO	03/06/06	size		A	213	
				chr	BEER FU	03/06/06	dwg no		51952-090	sheet	
				appd	JOSEPH HSIA	03/06/06	A		1 of 4		
sheet index	revision sheet	A	A	A	A	A	cage code		22526	4	
1	2	3	4								

Pro/E

PDM: Rev:A

STATUS: Released

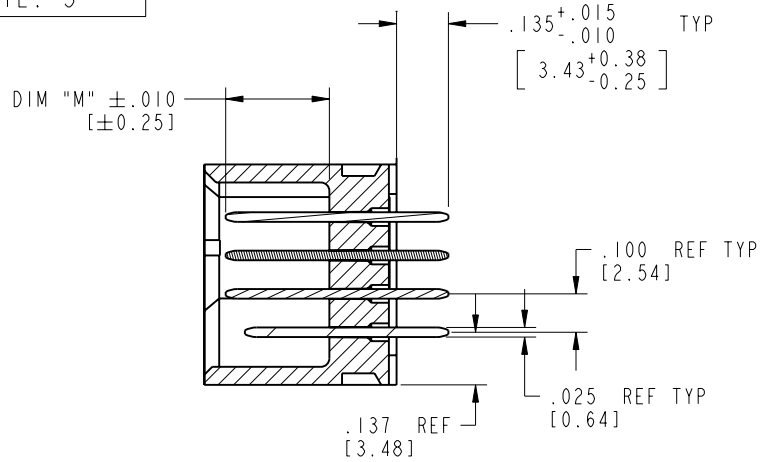
Printed: Dec 20, 2010

Tous droits strictement réservés. Reproduction ou communication o des liers interdite sous quelque forme que ce soit sans autorisation écrite du propriétaire. Propriete de c FCI. Droits de reproduction FCI.

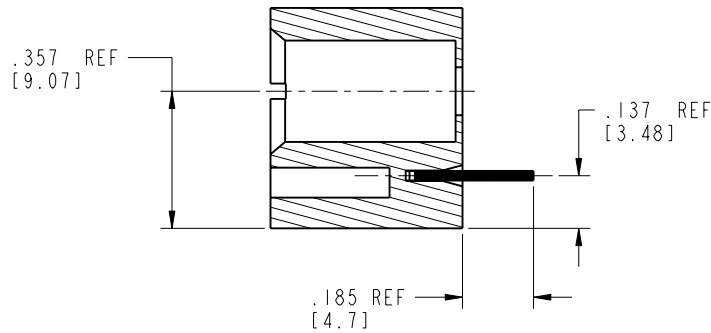
All rights strictly reserved. Reproduction or issue to third parties in any form, whatever is not permitted without written authority from the proprietor. Property of FCI. Copyright FCI.

PRODUCT NUMBER

51952-090__
NOTE: 3



SECTION A-A
SCALE 2:1



SECTION C-C
SCALE 2:1

mat'l code		SEE NOTE 2		tolerances unless otherwise specified		CUSTOMER		 www.fciconnect.com	
lfr	ecn no.	dr	date	linear	.XX±.01/0.X±0.3	COPY			
A				projection	.XXX±.005/0.XXX±0.13	 INCH/MM		title	
				angles	.XXX±.0020/0.XXX±0.051			16S	
				dr	JM GUO 03/06/06	 scale 1:1		VERTICAL SOLDER HEADER	
				engr	SLUO 03/06/06			product family	
				chr	BEER FU 03/06/06	size		code	
				appd	JOSEPH HSIA 03/06/06	dwg no		213	
sheet index		revision sheet				A		51952-090	
								2 of 4	

cage code 22526

Pro/E

PDM: Rev:A

STATUS: Released

Printed: Dec 20, 2010

Tous droits strictement réservés. Reproduction ou communication o des liers interdite sous quelque forme que ce soit sans autorisation écrite du propriétaire. Propriete de c FCI. Droits de reproduction FCI.

All rights strictly reserved. Reproduction or issue to third parties in any form, whenever is not permitted without written authority from the proprietor. Property of FCI. Copyright FCI.



PRODUCT NUMBER

51952-090__
NOTE: 3

NOTES:

1. DIMENSIONS AND TOLERANCES ARE IN ACCORDANCE WITH ASME Y14.5M, 1994 UNLESS OTHERWISE SPECIFIED.

CONNECTOR NOTES:

- 2 HOUSING MATERIAL: UL 94 V-0 GLASS FILLED
HIGH-TEMP THERMOPLASTIC
SIGNAL PIN MATERIAL: COPPER ALLOY
 - 3. 51952-090;51952-090LF;51952-090GLF PLATING SPEC. SEE PRINT:10064183
 - 4 MANUFACTURER'S NAME, P/N, AND DATE CODE TO APPEAR ON THIS SURFACE.
 - 5. PRODUCT SPECIFICATION GS-12-149.
APPLICATION SPECIFICATION BUS-20-067.
 - 6. PACKAGED IN TRAYS.
- PCB NOTES:**
- 7. ALL HOLE DIAMETERS ARE FINISHED HOLE SIZE.
 - 8. MOUNTING HOLES, WHERE APPLICABLE, ARE UNPLATED.
 - 9 $\varnothing .0453 \pm .0010$ [1.151 \pm 0.025] DRILLED HOLES PLATED WITH .0003 [0.008] MIN SnPb OVER .001 [0.03] TO .003 [0.08] Cu PLATING TO ACHIEVE $\varnothing .040 \pm .003$ [1.02 \pm .07] HOLE.
 - 10 "DIM XXX" TO BE DETERMINED BY THE CUSTOMER.
 - 11 CONNECTOR KEEP-OUT ZONE.

mat'l code		SEE NOTE 2		tolerances unless otherwise specified		CUSTOMER		www.fciconnect.com	
lfr	ecn no.	dr	date	linear	.XX \pm .01/0.X \pm 0.3	COPY			
A				projection	.XXX \pm .005/0.XX \pm 0.13			title	16S
				angles	.XXX \pm .0020/0.XXX \pm 0.051			VERTICAL SOLDER HEADER	
				dr	JM GUO 03/06/06	INCH/MM		product family	PwrBlade
				enrg	SLUO 03/06/06			code	213
				chr	BEER FU 03/06/06	scale		size	dwg no
				appd	JOSEPH HSIA 03/06/06	1:1		A	51952-090
sheet index	revision sheet							sheet	4 of 4

coge code 22526

Pro/E

PDM: Rev:A

STATUS: **Released**

Printed: Dec 20, 2010