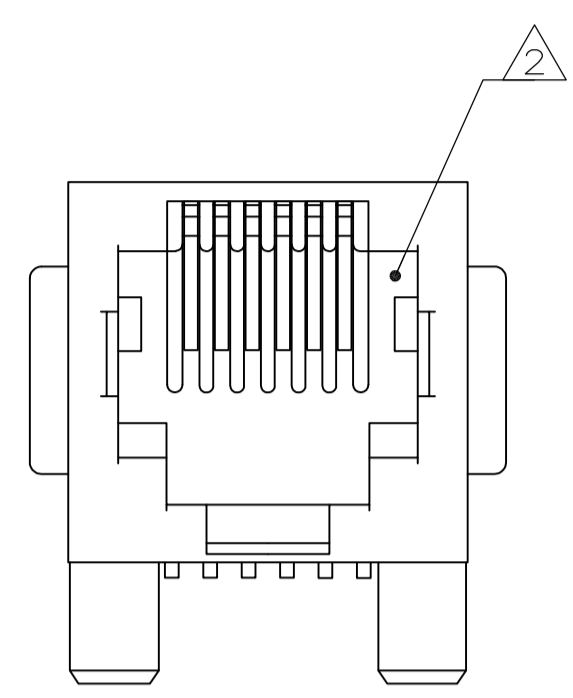
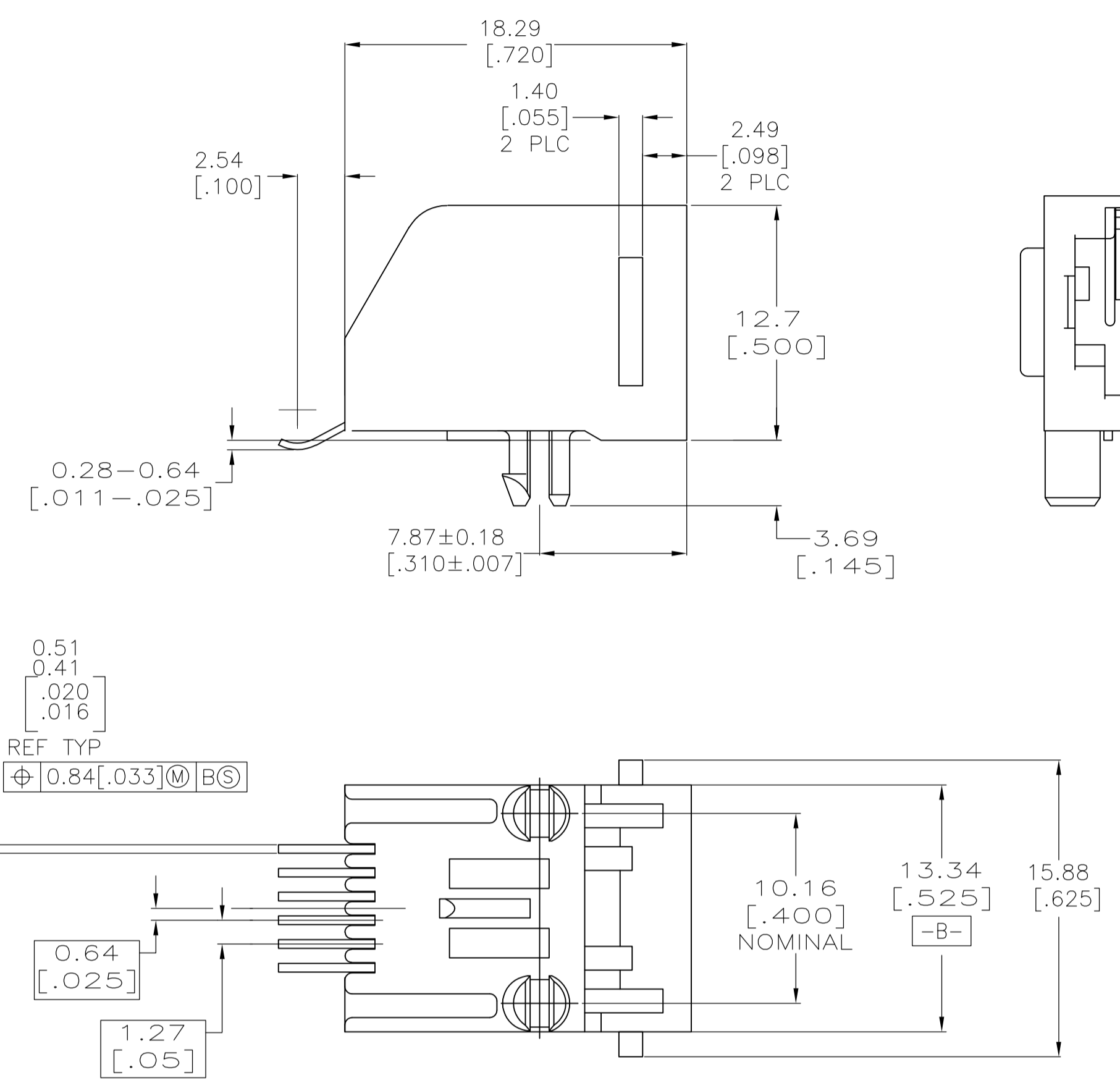
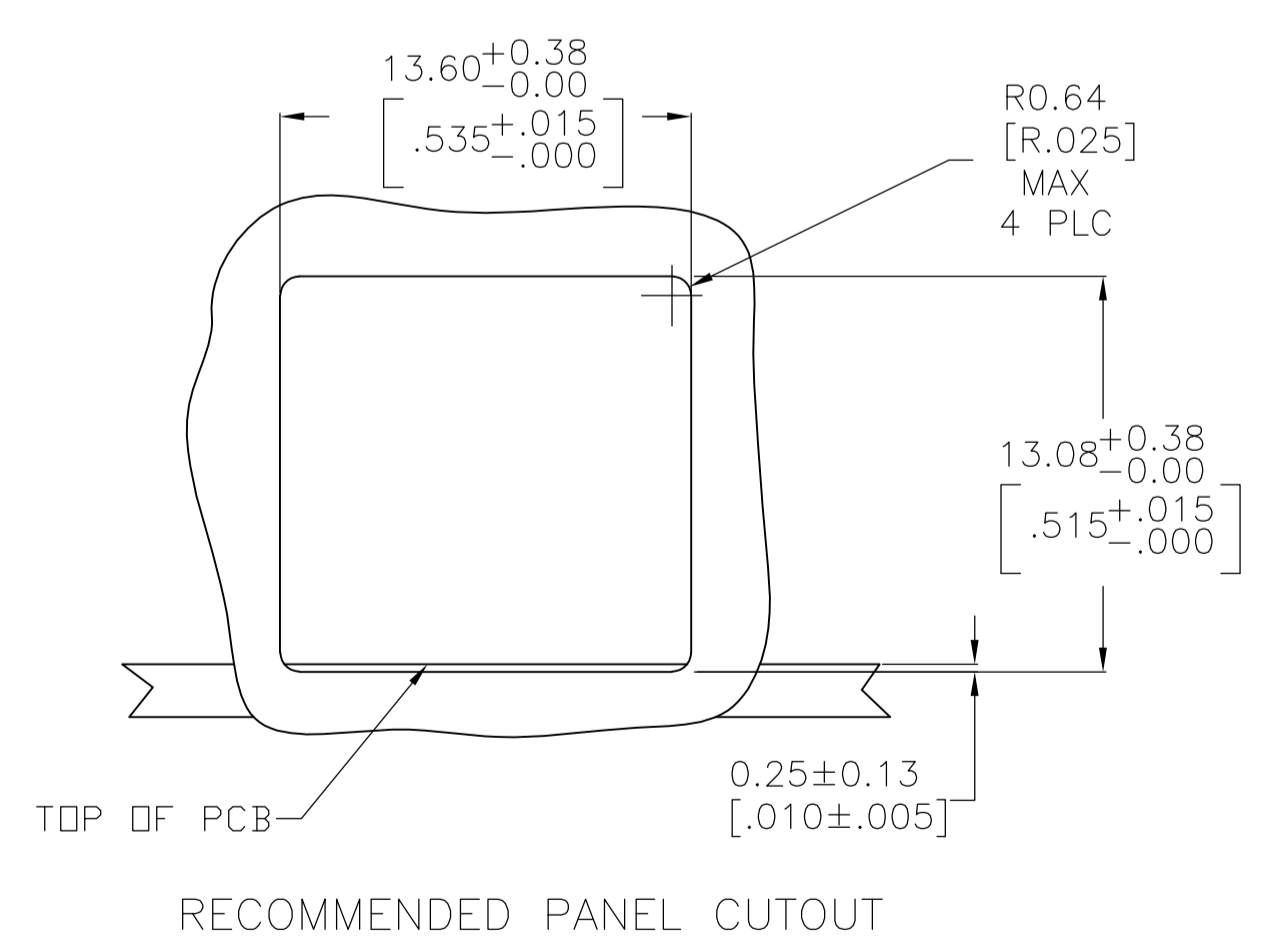
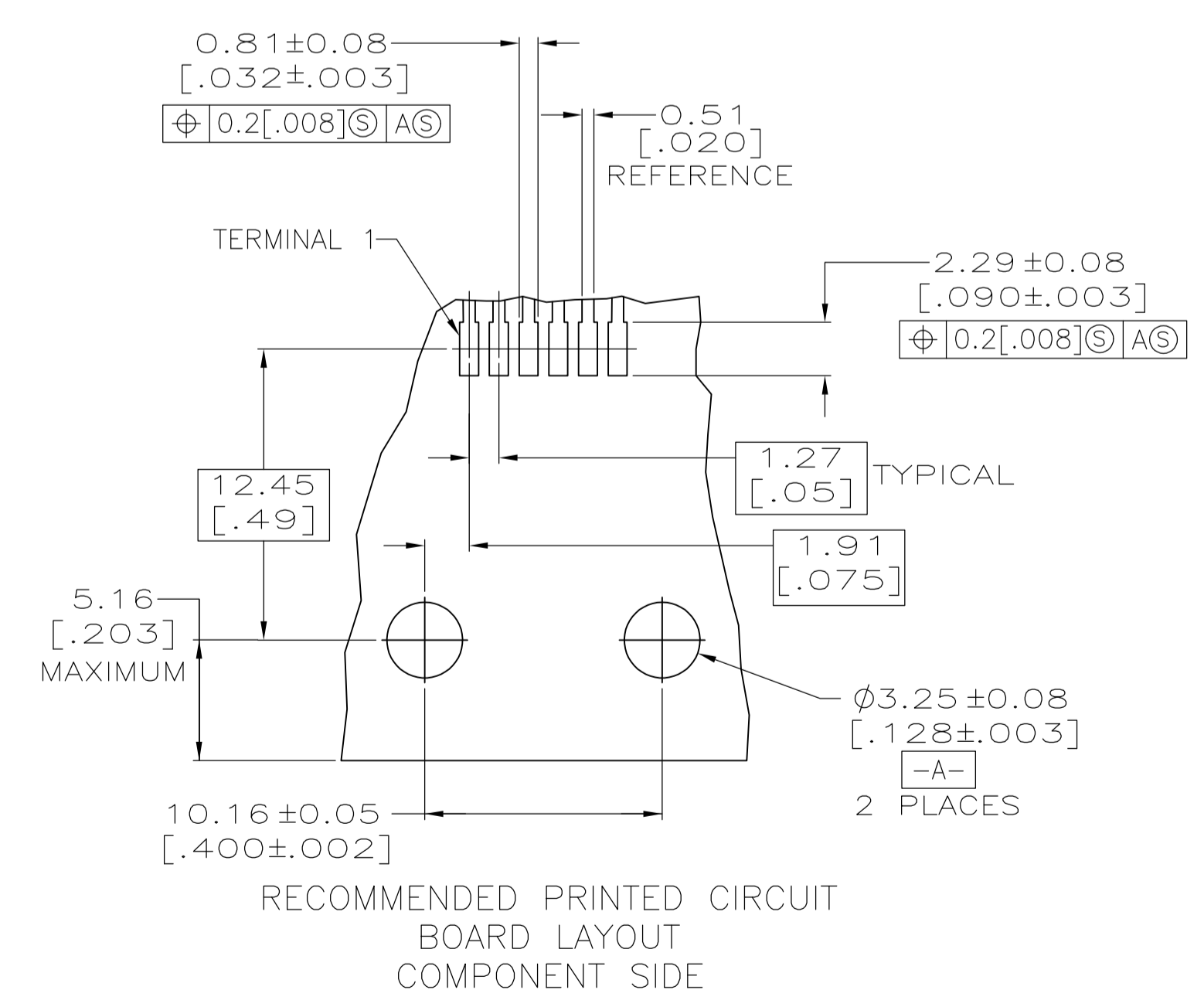


LOC		DIST		REVISIONS			
AA	00	REV	DATE	BY	CHK	APPV	
B1	REVISED PER ECO-11-005033		23MAR11	RK	HMR		



- MATERIAL: HOUSING- HTN MOLDING COMPOUND, 94VO, COLOR: BLACK.
TERMINAL- 0.36 [.014] THICK PHOS BRONZE PLATED WITH 1.27µm [.000050] MINIMUM THICK HARD GOLD IN LOCALIZED GOLD PLATE AREA AND 3.81µm [.000150] MINIMUM THICK MATTE TIN IN SOLDER AREA OVER 1.27µm [.000050] MINIMUM THICK NICKEL UNDERPLATE.
- CAVITY CONFORMS TO FCC RULES AND REGULATIONS PART 68, SUBPART F.
- SNAP-IN RETENTION FEATURE ACCOMMODATES A 1.57±0.13 [.062±.005] THICK PRINTED CIRCUIT BOARD.
- DIMENSIONS ARE MAXIMUM UNLESS OTHERWISE SPECIFIED AND ARE PRIOR TO SURFACE MOUNT PROCESSING.
- TERMINALS ASSEMBLED IN CENTER POSITIONS FOR -2.



4	5555077-2
6	5555077-1
NUMBER OF TERMINALS	PART NUMBER

THIS DRAWING IS A CONTROLLED DOCUMENT.		DIN G. ATTADIA - 07JUN2005		TE Connectivity	
DIMENSIONS: mm [INCHES]		TOLERANCES UNLESS OTHERWISE SPECIFIED:		APVD S. FLICKINGER 07JUN2005	
0 PLC ± -		1 PLC ± -		NAME: MODULAR JACK ASSEMBLY, 6 POSITION, LOW PROFILE, RIGHT ANGLE, SURFACE MOUNT W/ PANEL STOPS	
1 PLC ± -		2 PLC ± -		PRODUCT SPEC: 108-1163	
2 PLC ± -		3 PLC ± -		APPLICATION SPEC: 114-6040	
3 PLC ± -		4 PLC ± -		SIZE: A1	
4 PLC ± -		ANGLES ± -		CAGE CODE: 00779	
MATERIAL: SEE NOTE 1		FINISH: SEE NOTE 1		DRAWING NO: 5555077	
		WEIGHT: -		RESTRICTED TO: -	
		CUSTOMER DRAWING		SCALE: 4:1 SHEET 1 OF 1 REV B1	