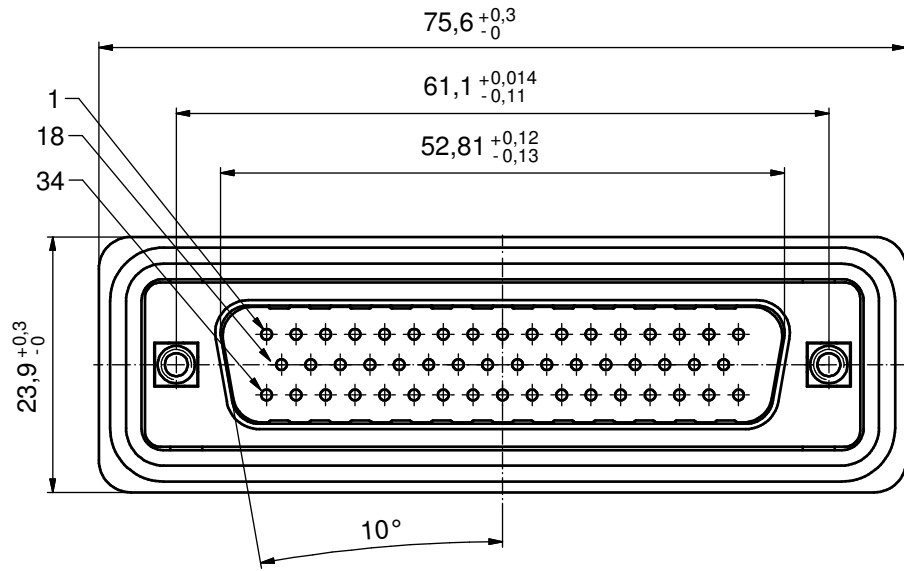
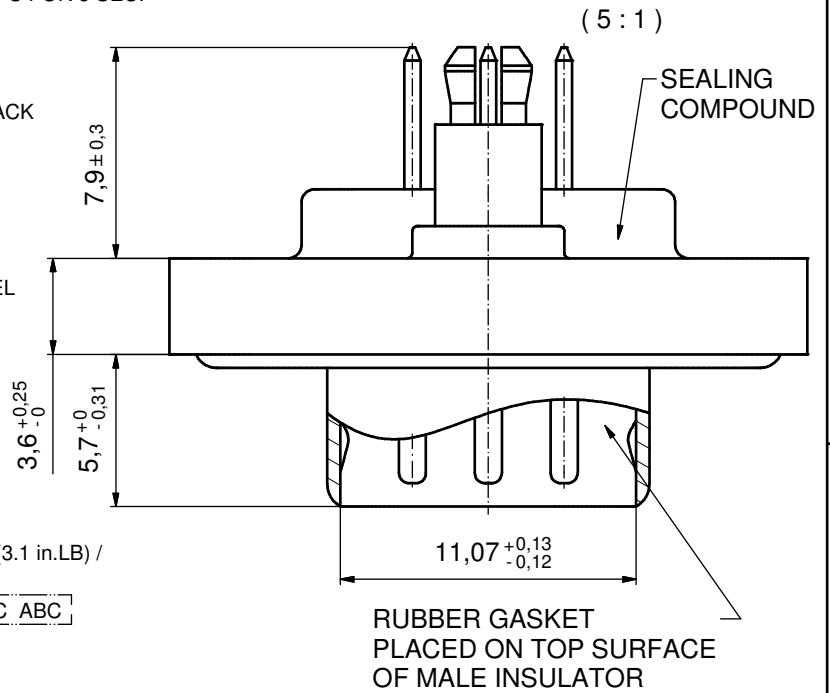
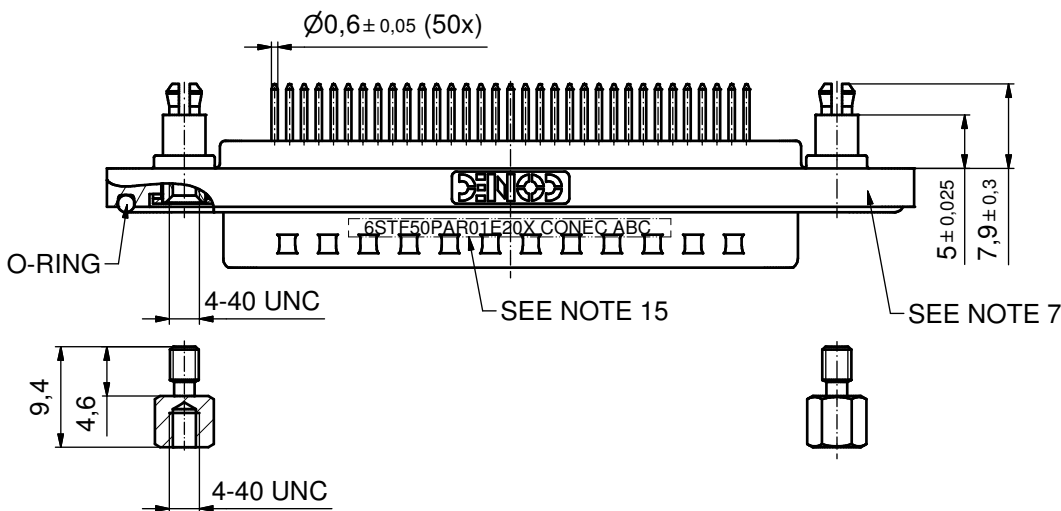
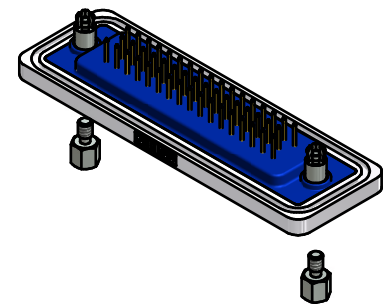


**NOTES:**

1. FOR WAVESOLDERING (SOLDER BATH TEMPERATURE 240 °C FOR 5 SEC. AND SOLDER PREHEAT 100 °C FOR 30 SEC.)
2. METALSHELLS: COPPER ALLOY;  
min. 315µin TIN over 40-80µin NICKEL
3. INSULATORS: HIGH TEMPERATURE PLASTIC UL 94 V-0, BLACK
4. CONTACTS: COPPER ALLOY  
PLATING: GOLD FLASH over NICKEL
5. THREADED SPACER CLIP: COPPER ALLOY;  
min. 200µin TIN over 80µin NICKEL  
PCB-HOLE:  $\varnothing 3,1 \pm 0,1$ ; PCB THICKNESS 1,6mm
6. COLLARS: COPPER ALLOY; min. 200µin TIN over 80µin NICKEL
7. FRAME: ZINC DIE CAST
8. O-RING: SILICON; BLUE
9. RUBBER GASKET: TPE; BLACK
10. HEXLOCKING SCREWS: STAINLESS STEEL
11. CAPACITANCE: 180pF  $\pm$  20%
12. DIELECTRIC WITHSTANDING VOLTAGE: 424 VDC
13. P.C.B. HOLE DRILLINGS +  
RECOMMENDED PANEL CUT-OUT ON SHEET 2
14. RECOMMENDED TORQUE FOR MOUNTING SCREW 35Ncm (3.1 in.LB) /  
max.40Ncm (3.5 in.LB)
15. CONNECTOR IS PART MARKED: 6STF50PAR01E20X CONEC ABC

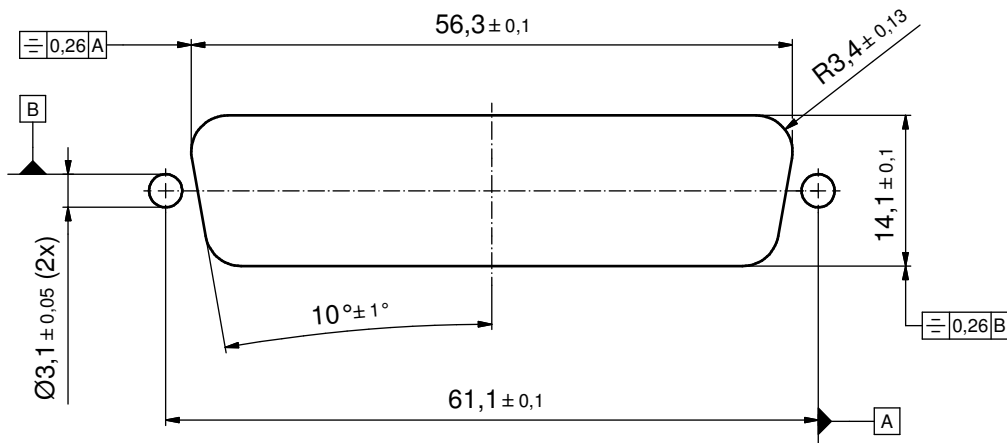
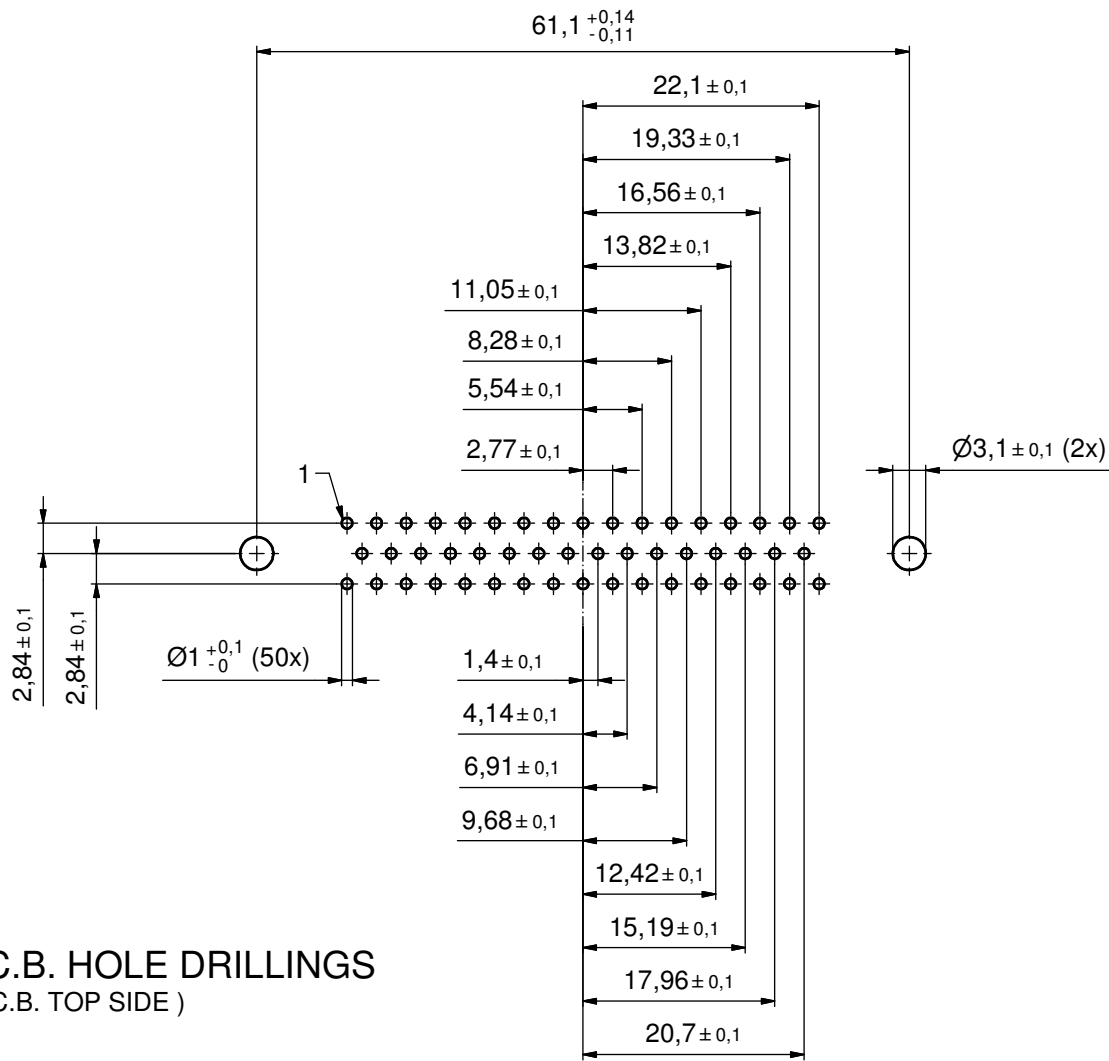


AT ALL TIMES WATER RESISTANT CONNECTORS NOT IN USE SHOULD BE COVERED WITH A CONEC WATER RESISTANT CAP OR WATER TIGHT HOOD.



THIS DRAWING MAY NOT BE COPIED OR REPRODUCED IN ANY WAY, AND MAY NOT BE PASSED ON TO A THIRD PARTY WITHOUT WRITTEN PERMISSION. OWNERSHIP AND COPYRIGHT OF CONEC GmbH DO NOT ALTER CAD DRAWING BY HAND	tolerance		dim. in mm		scale: 2:1 (5:1)	
					material: SEE NOTES	
	drawn	05.01.11	Henneboel		title: <b>D-SUB FILTER MALE</b> 50pos. SOLDER PIN STRAIGHT with threaded spacer clip and hexlocking screw	
	appd.	05.01.11	Fischer			
	norm					
	d-old					
	a	Origin	CONEC®		dwg no: 15K1A773 <span style="float: right;">DIN-A3</span>	
	rev.	description			part no: 6STF50PAR01E20X <span style="float: right;">sh: 1</span>	

Directive 2002/95/EC RoHS compliant



THIS DRAWING MAY NOT BE COPIED OR REPRODUCED IN ANY WAY, AND MAY NOT BE PASSED ON TO A THIRD PARTY WITHOUT WRITTEN PERMISSION. OWNERSHIP AND COPYRIGHT OF CONEC GmbH  DO NOT ALTER CAD DRAWING BY HAND				tolerance		scale: 2:1
				date	name	material: SEE SHEET 1
	drawn	05.01.11	Henneboel	title:		
	appd.	05.01.11	Fischer	P.C.B. HOLE DRILLINGS		
	norm			PANEL CUT-OUT		
d-old			D-SUB MALE 50pos. Solder pin straight			
a	Origin		<b>CONEC</b> <sup>®</sup>			dwg no:
rev.	description	date				name
					part no: SEE SHEET 1	
					sh: 2	