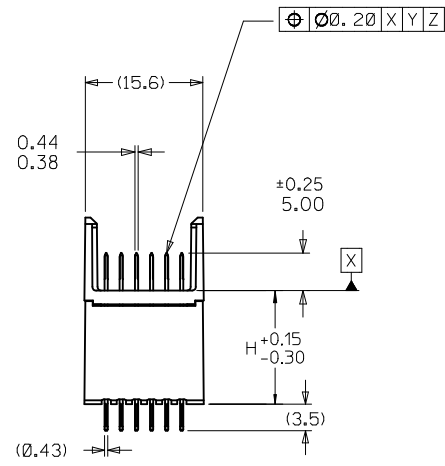
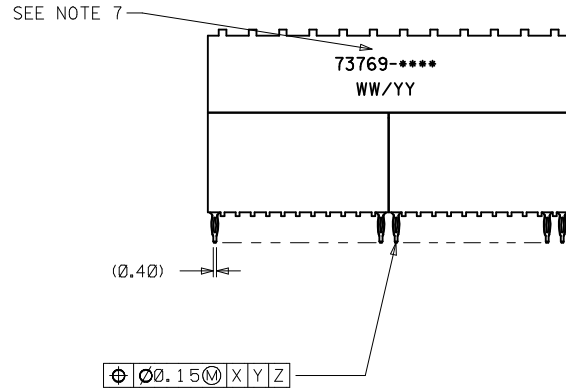
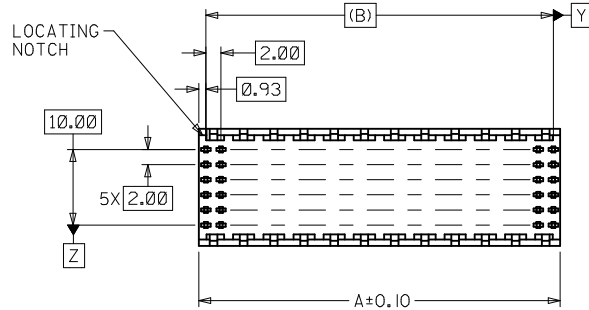
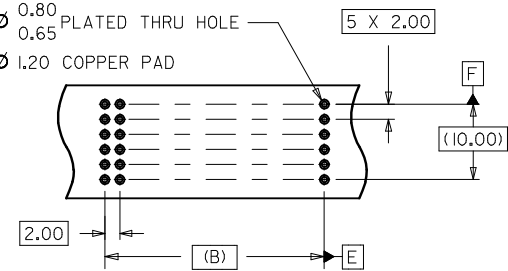


ASSEMBLY P/N	TOTAL NUMBER OF SIGNAL CONTACTS	DIM "A"	DIM "B"	DIM "H"
73769-0100	72	23.84	22.00	15.05
73769-0200	72	23.84	22.00	6.05
73769-0300	72	23.84	22.00	10.05
73769-1100	144	47.84	46.00	15.05
73769-1200	144	47.84	46.00	6.05
73769-1300	144	47.84	46.00	10.05



- ⊕ (0.150) E|F
- ∅ 0.838 DRILL
- ∅ 0.80 PLATED THRU HOLE
- ∅ 0.65
- ∅ 1.20 COPPER PAD



BACKPLANE HOLE PATTERN

- NOTES:**
- MATERIALS: HOUSING-LIQUID CRYSTAL POLYMER (LCP), GLASS-FILLED. ULV 94V-0, COLOR: BLACK. TERMINAL-PHOSPHOR BRONZE
 - FINISH: SELECTIVE GOLD (Au) IN CONTACT AREA, SELECTIVE MATTE TIN (Sn) ON TAILS, NICKEL (Ni) OVERALL.
 - THIS PART CONFORMS TO MOLEX PRODUCT SPECIFICATION PS-73780-999.
 - THIS PART CONFORMS TO MOLEX COSMETIC SPECIFICATION PS-45499-002 CLASS C.
 - RECOMMENDED PCB THICKNESS: 2.50 MINIMUM.
 - PACKAGE PER PK-70873-0870, PK-70873-0871, OR PK-70873-0875.
 - PARTS MARKED WITH PART NUMBER AND DATE CODE APPROXIMATELY WHERE SHOWN.

LEAD FREE CONVERSION EC NO: UCP2013-3253 DRAWN BY: DRWINRHIPPLE 2013/02/04 CHECKED BY: CHKD:MMOLFE 2013/02/04 APPR: SMILLER 2013/08/05	QUALITY SYMBOLS ▽=0 ▽=0 ▽=0	GENERAL TOLERANCES (UNLESS SPECIFIED)		DIMENSION STYLE MM ONLY	SCALE 2:1	DESIGN UNITS METRIC	THIRD ANGLE PROJECTION
		mm	INCH	DRAWN BY JB INGHAM	DATE 1997/03/07	TITLE SALES ASSY HDM BACKPLANE STACKING MODULE OPEN END OPTION PRESSFIT	
REV: H	DESCRIPTION	4 PLACES	± ---	± ---	CHECKED BY SREED	DATE 1997/03/07	DOCUMENT NO. SD-73769-001
		3 PLACES	± ---	± ---	APPROVED BY CB IXLER	DATE 1997/03/07	
ANGULAR ±1/2°		DRAFT WHERE APPLICABLE MUST REMAIN WITHIN DIMENSIONS		MATERIAL NO. SEE TABLE		THIS DRAWING CONTAINS INFORMATION THAT IS PROPRIETARY TO MOLEX INCORPORATED AND SHOULD NOT BE USED WITHOUT WRITTEN PERMISSION	