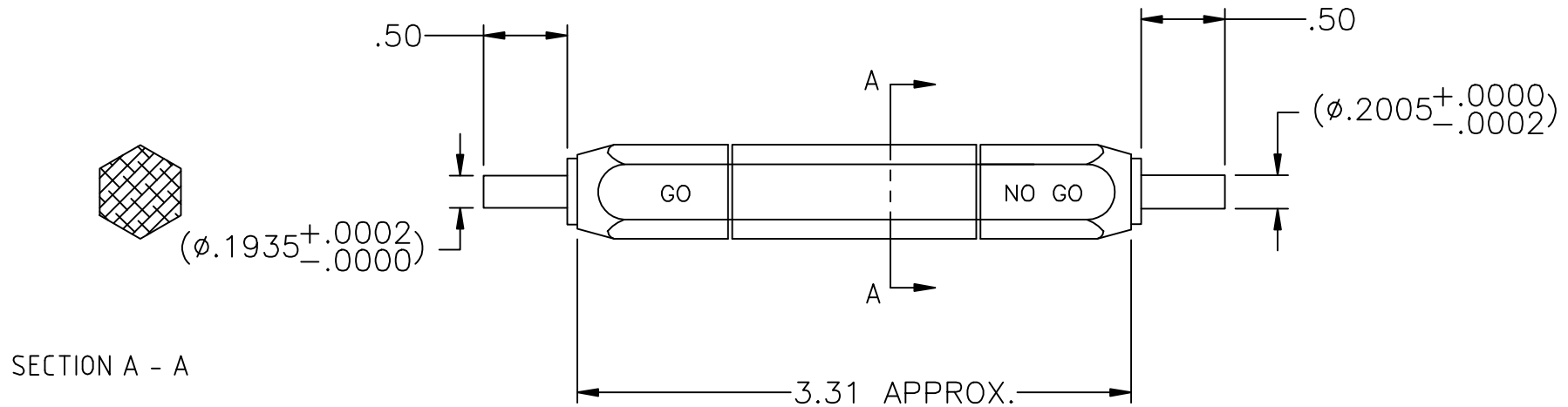



**UNCONTROLLED DOCUMENT**  
**WILL NOT BE UPDATED**



NOTES:

1. THIS IS AN ACAD DRAWING. DO NOT CHANGE MANUALLY.
2. FLAT GAGE FOR HEX DIES: .125" FLAT ON BOTH SIDES.

THESE DRAWINGS, SPECIFICATIONS OR OTHER DATA ARE AND REMAIN, THE PROPERTY OF ASTRO TOOL CORP. AND MUST BE RETURNED UPON REQUEST. THEY CONTAIN INFORMATION OWNED AND/OR DEVELOPED BY ASTRO AT ITS OWN PRIVATE EXPENSE AND MAY NOT BE USED, DUPLICATED OR DISCLOSED TO OTHERS, IN WHOLE OR IN PART FOR DESIGN, MANUFACTURE OR PROCUREMENT WITHOUT THE WRITTEN PERMISSION OF ASTRO TOOL CORP. EACH AND EVERY TIME.					SCALE:	UNLESS OTHERWISE SPECIFIED: DECIMALS: .XXX ± .005 .XX ± .010 .X ± .030 ANGLES: ± 1°	 21615 S.W. TUALATIN VALLEY HWY., BEAVERTON OR 97006	CAGE 58164			
					DWN BY:			DESCRIPTION:			
A	NEW RELEASE	DYO	10-28-14	ADI.G	10-28-14	APPROVED:	ENVELOPE DRAWING: AGM06007 GAGE FOR .197 HEX		PART NO.	A	AGM06007-ENV
REV.	DESCRIPTION	BY	DATE	APR.							