

Evaluation Board for the **ADG901/ADG902** and **ADG918/ADG919** Wideband Absorptive/Reflective Switches

FEATURES

Evaluation board for the **ADG901/ADG902** SPST and the **ADG918/ADG919** SPDT switches
RF through for board calibration

GENERAL DESCRIPTION

This user guide describes the evaluation board for the **ADG901/ADG902** and **ADG918/ADG919** switches.

The **ADG901/ADG902** (SPST) and the **ADG918/ADG919** (SPDT) are wideband switches using a CMOS process to provide high isolation and low insertion loss to 1 GHz.

Full data on the **ADG901/ADG902** and the **ADG918/ADG919** is available in their respective data sheets available from Analog Devices and should be consulted in conjunction with this user guide when using the evaluation board.

TYPICAL SETUP

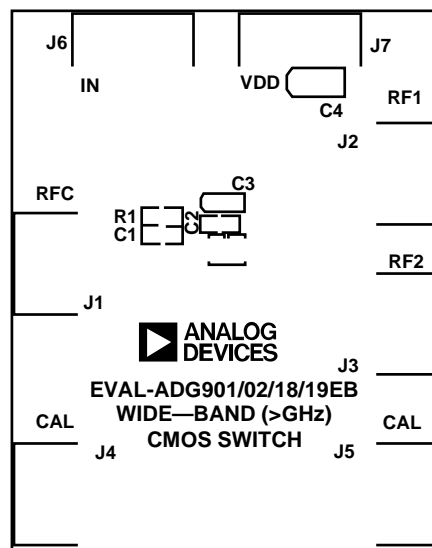


Figure 1. **ADG901/ADG902/ADG918/ADG919** Evaluation Board

OPERATING THE ADG901/ADG902 AND THE ADG918/ADG919 EVALUATION BOARD

This evaluation board allows designers to evaluate the high-performance SPST and SPDT wideband switches with a minimum of effort.

To prove that these devices meet the user’s requirements, use a power supply and a network analyzer.

POWER SUPPLIES

This evaluation board has two analog power supply inputs: V_{DD} and CTRL. V_{DD} can equal 1.65 V to 2.75 V.

The CTRL inputs are both CMOS and LVTTTL compatible. For operation of the ADG901/ADG902 evaluation board, see Table 1 for setup conditions. For operation of the ADG918/ADG919 evaluation board, see Table 2 for setup conditions.

Table 1. Truth Table ADG901/ADG902

CTRL	Signal Path
0	RF1 isolated from RF2
1	RF1 to RF2

Table 2. Truth Table ADG918/ADG919

CTRL	Signal Path
0	RF2 to RFC
1	RF1 to RFC

ADG901/ADG902

The RF1 port, see Figure 2, is connected through a 50 Ω transmission line to the top left SMA connector, J1. RF2 is connected through 50 Ω transmission lines to the top SMA connector, J2. The port labeled RF2 is ground; connect to ground when evaluating ADG901/ADG902. A through transmission line connects J4 and J5 and this transmission line is used to estimate the loss of the PCB over the environmental conditions being evaluated.

ADG918/ADG919

The RFC port, see Figure 3, is connected through a 50 Ω transmission line to the top left SMA connector, J1. RF1 and RF2 are connected through 50 Ω transmission lines to the top two SMA connectors, J2 and J3, respectively. A through transmission line connects J4 and J5 and this transmission line is used to estimate the loss of the PCB over the environmental conditions being evaluated.

The board is constructed of a four layer, FR4 material with a dielectric constant of approximately 4.3. The total board thickness is 0.062”. Two ground layers with grounded planes provide ground for the RF transmission lines. The transmission lines were designed using a coplanar waveguide with the ground plane model using a trace width of 0.052”, clearance to the ground plane of 0.030”, dielectric thickness of 0.029” and a metal thickness of 0.0014”.

A 10 μF surface-mount tantalum decoupling capacitor is provided on the V_{DD} line and two 10 pF ceramic capacitors are placed close to the DUT on both the V_{DD} pin and the CTRL pin. Unpopulated component positions are available for the user to apply extra components to meet their design application.

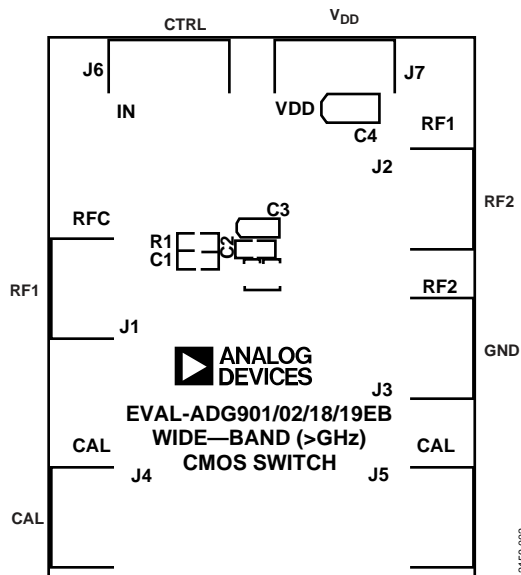


Figure 2. ADG901/ADG902 Top View

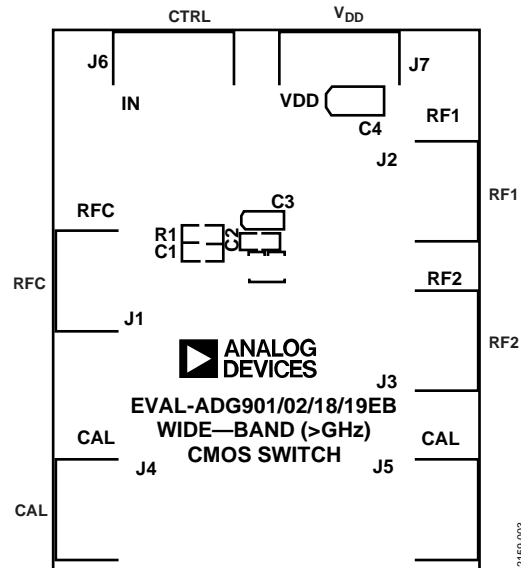


Figure 3. ADG918/ADG919 Top View

EVALUATION BOARD SCHEMATICS AND ARTWORK

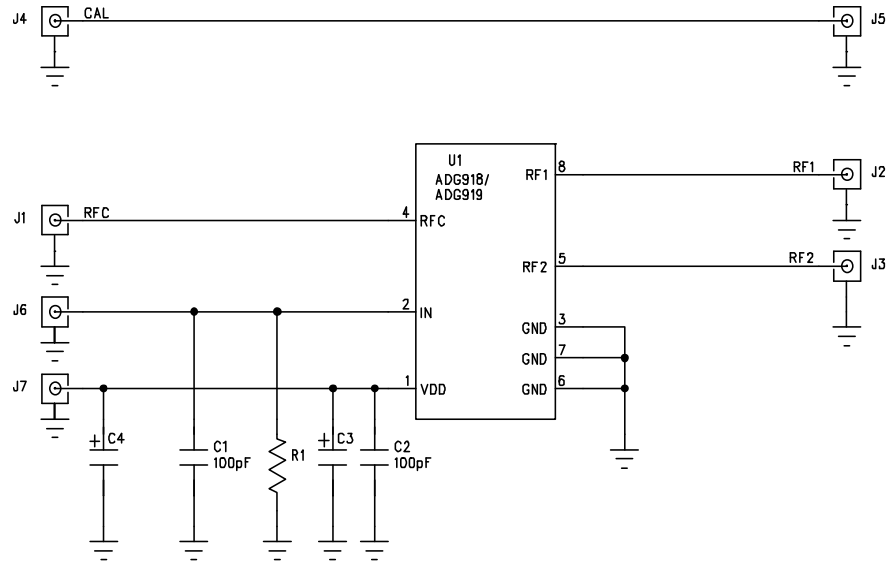


Figure 4. ADG918/ADG919 Schematic

12159-005

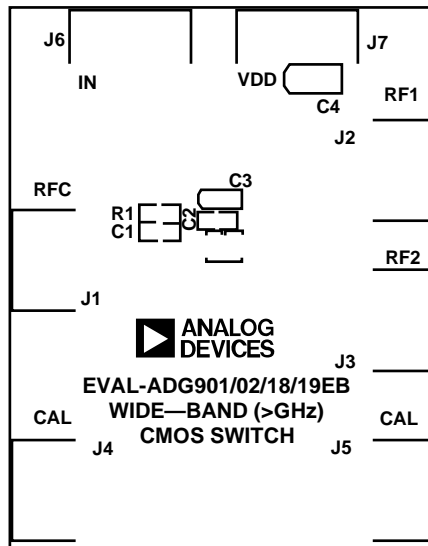


Figure 5. ADG901/ADG902/ADG918/ADG919 Silkscreen

12159-004

ORDERING INFORMATION

BILL OF MATERIALS

Table 3.

Item	Qty	Reference	Description	Supplier/No.
1	1	U1	ADG901/ADG902/ADG918/ADG919	Analog Devices, Inc.
2	7	J1 to J7	SMA end launch connectors 0.062"	J502-ND
3	2	C1, C2	10 pF ceramic capacitor	FEC 499-110
4	1	C4	10 μ F tantalum capacitor	FEC 643-683

REVISION HISTORY

4/14—Rev. A to Rev. B

Updated Format Universal
 Changes to ADG918/ADG919 Section 3

2003—Rev. A



ESD Caution

ESD (electrostatic discharge) sensitive device. Charged devices and circuit boards can discharge without detection. Although this product features patented or proprietary protection circuitry, damage may occur on devices subjected to high energy ESD. Therefore, proper ESD precautions should be taken to avoid performance degradation or loss of functionality.

Legal Terms and Conditions

By using the evaluation board discussed herein (together with any tools, components documentation or support materials, the "Evaluation Board"), you are agreeing to be bound by the terms and conditions set forth below ("Agreement") unless you have purchased the Evaluation Board, in which case the Analog Devices Standard Terms and Conditions of Sale shall govern. Do not use the Evaluation Board until you have read and agreed to the Agreement. Your use of the Evaluation Board shall signify your acceptance of the Agreement. This Agreement is made by and between you ("Customer") and Analog Devices, Inc. ("ADI"), with its principal place of business at One Technology Way, Norwood, MA 02062, USA. Subject to the terms and conditions of the Agreement, ADI hereby grants to Customer a free, limited, personal, temporary, non-exclusive, non-sublicensable, non-transferable license to use the Evaluation Board FOR EVALUATION PURPOSES ONLY. Customer understands and agrees that the Evaluation Board is provided for the sole and exclusive purpose referenced above, and agrees not to use the Evaluation Board for any other purpose. Furthermore, the license granted is expressly made subject to the following additional limitations: Customer shall not (i) rent, lease, display, sell, transfer, assign, sublicense, or distribute the Evaluation Board; and (ii) permit any Third Party to access the Evaluation Board. As used herein, the term "Third Party" includes any entity other than ADI, Customer, their employees, affiliates and in-house consultants. The Evaluation Board is NOT sold to Customer; all rights not expressly granted herein, including ownership of the Evaluation Board, are reserved by ADI. CONFIDENTIALITY. This Agreement and the Evaluation Board shall all be considered the confidential and proprietary information of ADI. Customer may not disclose or transfer any portion of the Evaluation Board to any other party for any reason. Upon discontinuation of use of the Evaluation Board or termination of this Agreement, Customer agrees to promptly return the Evaluation Board to ADI. ADDITIONAL RESTRICTIONS. Customer may not disassemble, decompile or reverse engineer chips on the Evaluation Board. Customer shall inform ADI of any occurred damages or any modifications or alterations it makes to the Evaluation Board, including but not limited to soldering or any other activity that affects the material content of the Evaluation Board. Modifications to the Evaluation Board must comply with applicable law, including but not limited to the RoHS Directive. TERMINATION. ADI may terminate this Agreement at any time upon giving written notice to Customer. Customer agrees to return to ADI the Evaluation Board at that time. LIMITATION OF LIABILITY. THE EVALUATION BOARD PROVIDED HEREUNDER IS PROVIDED "AS IS" AND ADI MAKES NO WARRANTIES OR REPRESENTATIONS OF ANY KIND WITH RESPECT TO IT. ADI SPECIFICALLY DISCLAIMS ANY REPRESENTATIONS, ENDORSEMENTS, GUARANTEES, OR WARRANTIES, EXPRESS OR IMPLIED, RELATED TO THE EVALUATION BOARD INCLUDING, BUT NOT LIMITED TO, THE IMPLIED WARRANTY OF MERCHANTABILITY, TITLE, FITNESS FOR A PARTICULAR PURPOSE OR NON-INFRINGEMENT OF INTELLECTUAL PROPERTY RIGHTS. IN NO EVENT WILL ADI AND ITS LICENSORS BE LIABLE FOR ANY INCIDENTAL, SPECIAL, INDIRECT, OR CONSEQUENTIAL DAMAGES RESULTING FROM CUSTOMER'S POSSESSION OR USE OF THE EVALUATION BOARD, INCLUDING BUT NOT LIMITED TO LOST PROFITS, DELAY COSTS, LABOR COSTS OR LOSS OF GOODWILL. ADI'S TOTAL LIABILITY FROM ANY AND ALL CAUSES SHALL BE LIMITED TO THE AMOUNT OF ONE HUNDRED US DOLLARS (\$100.00). EXPORT. Customer agrees that it will not directly or indirectly export the Evaluation Board to another country, and that it will comply with all applicable United States federal laws and regulations relating to exports. GOVERNING LAW. This Agreement shall be governed by and construed in accordance with the substantive laws of the Commonwealth of Massachusetts (excluding conflict of law rules). Any legal action regarding this Agreement will be heard in the state or federal courts having jurisdiction in Suffolk County, Massachusetts, and Customer hereby submits to the personal jurisdiction and venue of such courts. The United Nations Convention on Contracts for the International Sale of Goods shall not apply to this Agreement and is expressly disclaimed.