



**Mallory Sonalert Products, Inc.**

Part #: **JT028-RYGB-CD**

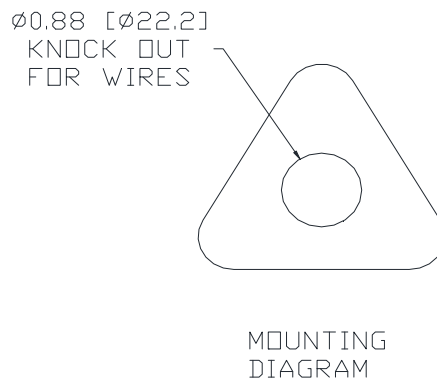
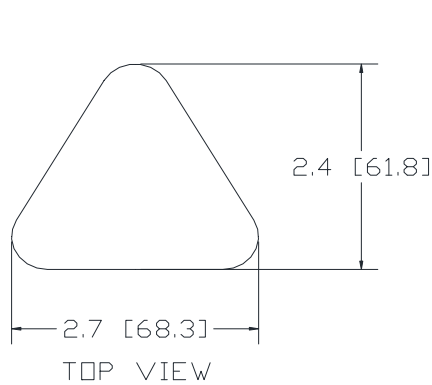
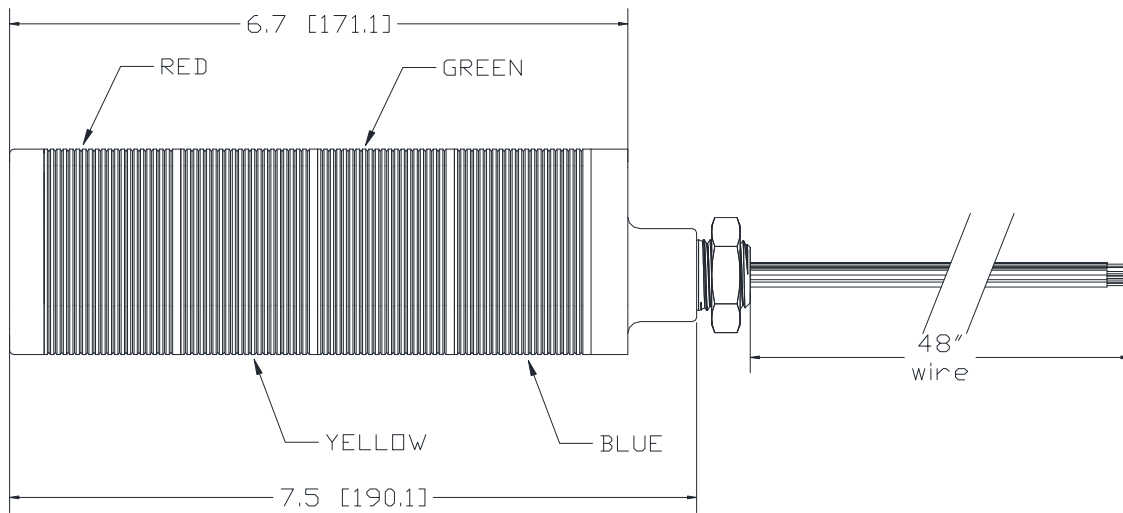
**Sales Outline Drawing**

Revision: **B**

**Specifications:**

Stack Number:	1	2	3	4	
LED Color:	RED	YELLOW	GREEN	BLUE	
Connection Wires:	Red and Brown	Yellow and Brown	Green and Brown	Blue and Brown	
LED Current Draw:	<50mA	<60mA	<40mA	<50mA	
Rated Voltage:	24 VAC/DC				
Operating Voltage:	20-28 VAC/DC				
Total Max Current:	<200mA				
Operating Temperature:	-25° ~ +60°C				
Lens Color:	Opaque White				
Material:	ABS FR15U				
Mounting Method:	Direct Mount using 1/2" NPT Stainless Steel Pipe and Nut				
Weight Typical (g):	300				
NEMA 12:	Approved				
Options:	Please contact factory.				

**Dimensions:** Inches (mm) **cUL Recognized** **ROHS Compliant**



**LED OPERATION:** | CONNECT STACK COLOR WIRE TO POWER AND BROWN WIRE TO POWER.