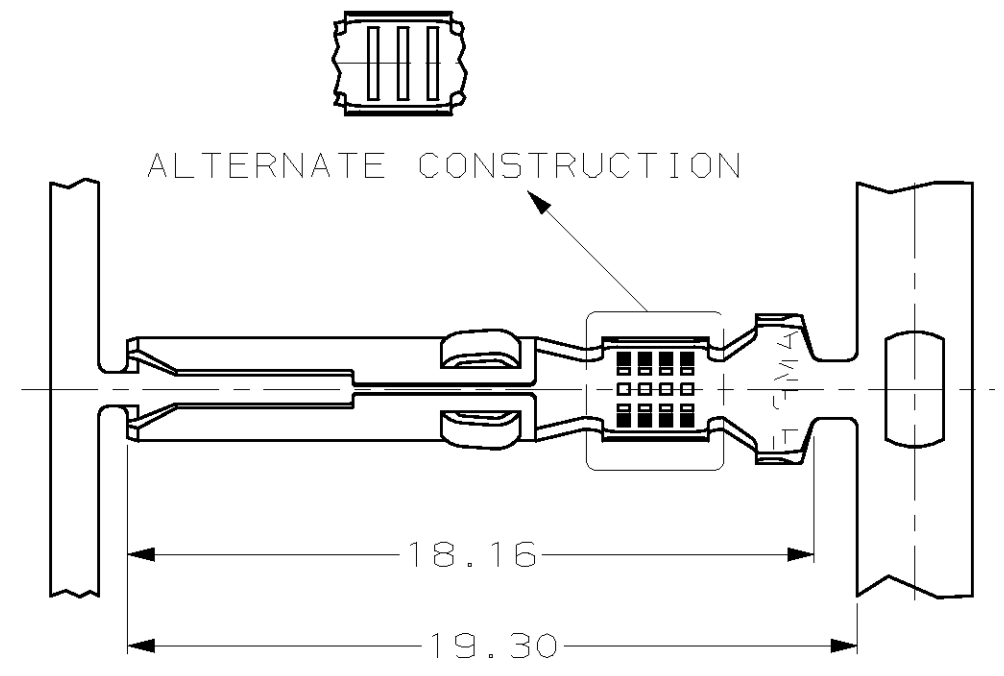
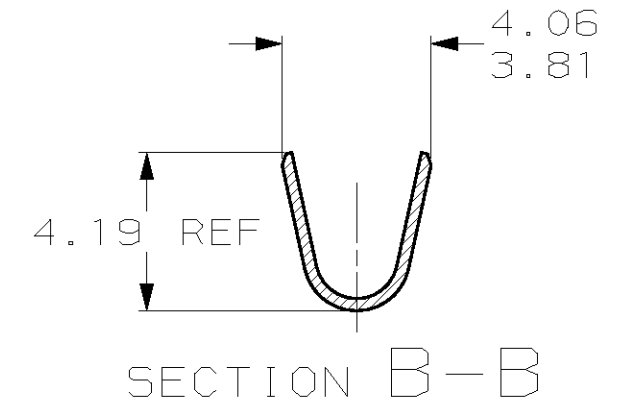
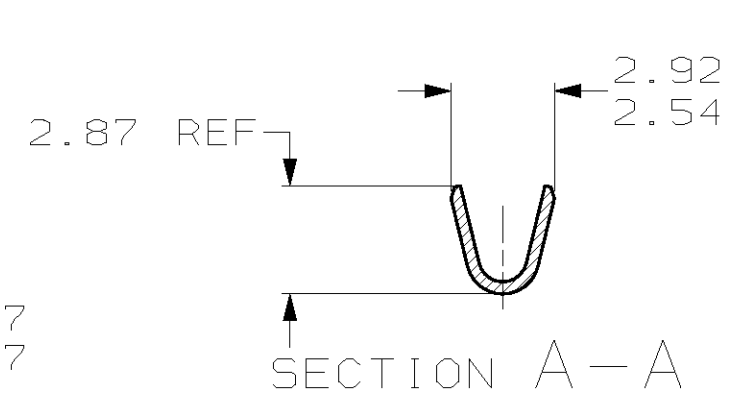
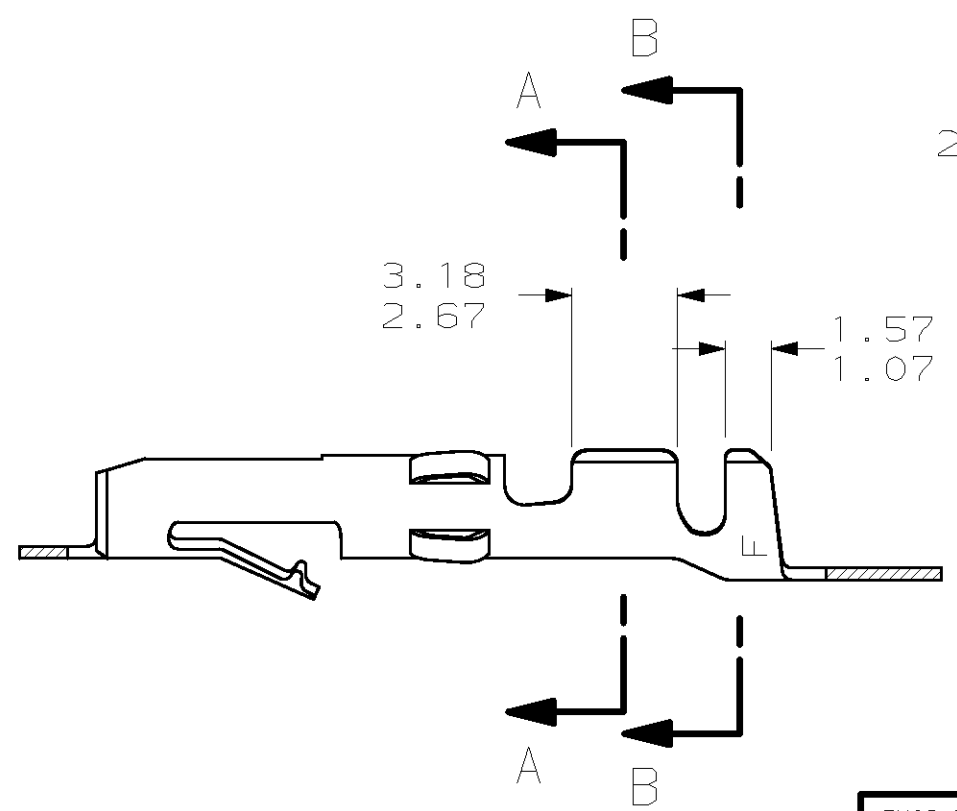


THIS DRAWING IS UNPUBLISHED. RELEASED FOR PUBLICATION .19 .
 (C) COPYRIGHT 19 BY AMP INCORPORATED. ALL RIGHTS RESERVED.

LOC	DIST	REVISIONS			
P	LTR	DESCRIPTION	DATE	DWN	APVD
CM	53	H	REV & REDWN PER EC 0G1B--98	20-OCT-98	TB RS



1. WIRE RANGE: 0.3 - 0.9 mm² (22 - 18 AWG)
2. INSULATION RANGE: 2.16 - 2.67



19.30	.760
18.16	.715
4.19	.165
4.06	.160
3.81	.150
3.18	.125
2.92	.115
2.87	.113
2.67	.105
2.54	.100
2.16	.085
1.57	.062
1.07	.042
0.32	.013
0.13	.005
MM	IN
CONVERSION TABLE	

METRIC

60951-1
PART NUMBER

THIS DRAWING IS A CONTROLLED DOCUMENT.		DWN T. BECK 20-OCT-98	AMP Incorporated Harrisburg, PA 17105-3608
DIMENSIONS: mm		CHK R. SWING 20-OCT-98	
TOLERANCES UNLESS OTHERWISE SPECIFIED:		APVD C. MARTIN 20-OCT-98	
0 PLC ±- 1 PLC ±- 2 PLC ±0.13 3 PLC ±- 4 PLC ±- ANGLES ±-		NAME SOCKET, AUTOMOTIVE MATE-N-LOK™	
MATERIAL 0.32 BRASS	FINISH PRE-TIN	PRODUCT SPEC -	SIZE A3
CUSTOMER DRAWING		APPLICATION SPEC -	CAGE CODE 00779
		WEIGHT -	DRAWING NO 60951
		RESTRICTED TO -	SCALE 5:1
			SHEET 1 OF 1
			REV H