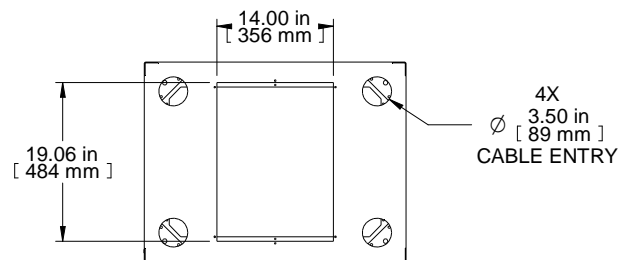
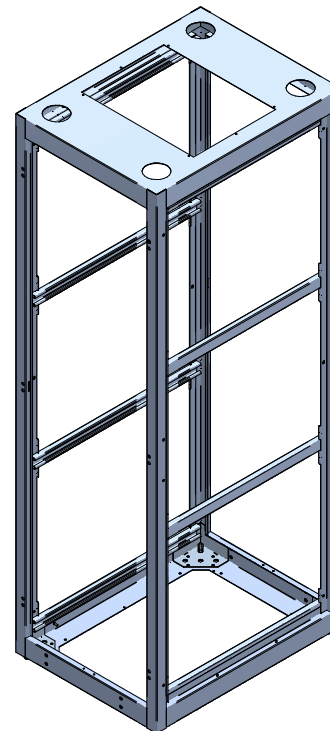


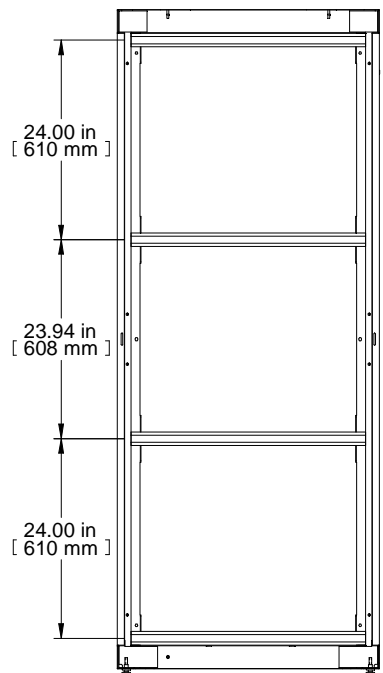
SECTION C-C



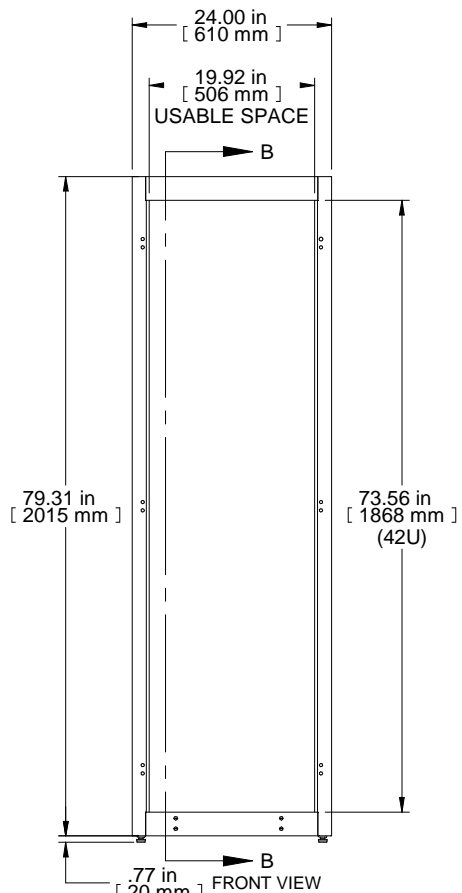
TOP VIEW  
TOP OPENING



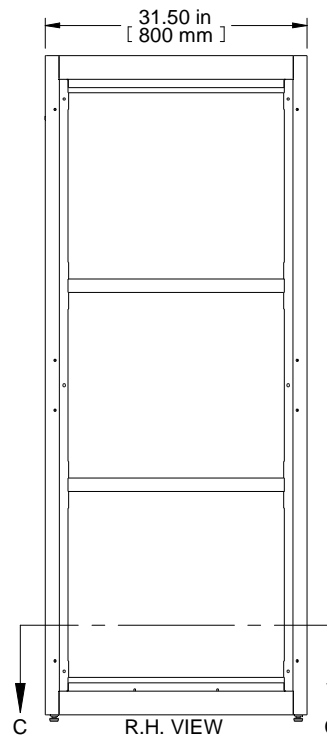
ISOMETRIC



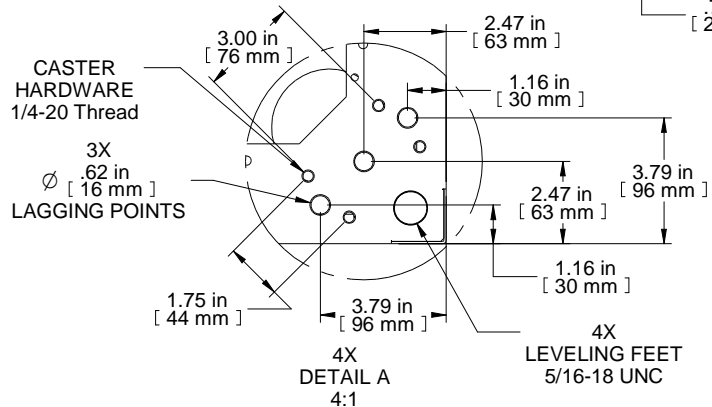
SECTION B-B



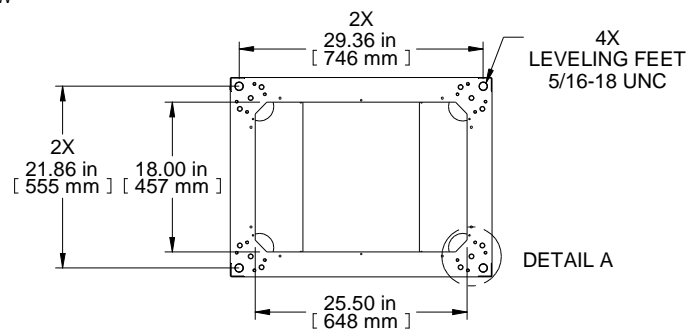
FRONT VIEW



R.H. VIEW




DETAIL A  
4:1



BOTTOM VIEW  
BOTTOM OPENING

DETAIL A

PART NUMBERS	
C4F247331BK1	PAINTED BLACK TEXTURE
NOTES	
Welded Assembly.	
Cable entry plugs included.	
See Hammond Website for Frame Accessories.	
Data subject to change without notice. Isometric drawing not to scale. Les données sont sujettes à changement sans préavis.	
	
	
PART NO. C4F247331	