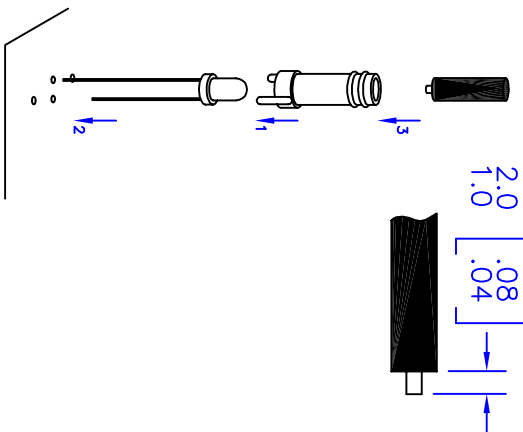
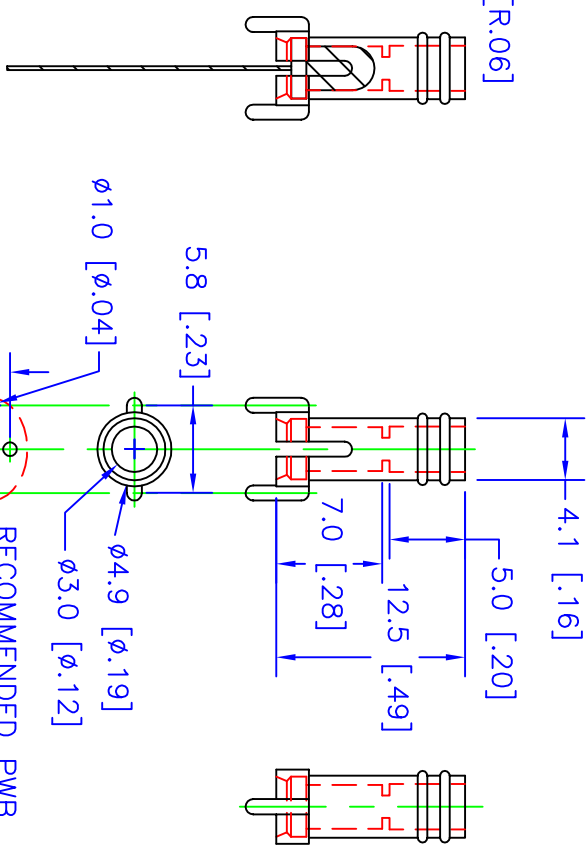
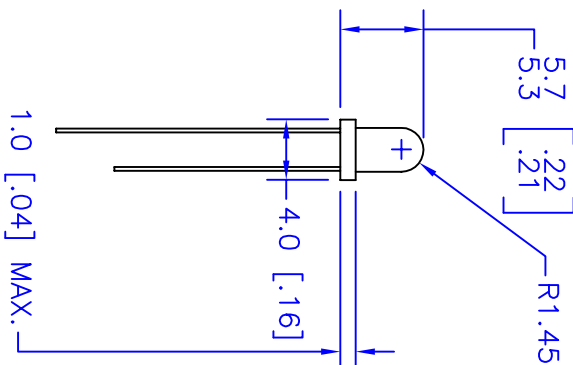


REVISIONS

LIGHT PIPE
PREPARATION/INSTALLATION:



REV	DESCRIPTION	ECO	DATE	DWN	APVD
C	REVISED STRIP LENGTH FROM 1.0±.05	0034	09/17/09	BB	KS



- NOTES:**
1. ROHS COMPLIANT
 2. UL 94V-2 FLAMMABILITY RATING
 3. -40°C TO 85°C OPERATING TEMPERATURE
 4. SUITABLE FOR LIGHT PIPE WITH $\phi 3.0\text{mm}$ JACKET AND OPTICAL CORE NO GREATER THAN $\phi 1.5\text{mm}$
 5. DO NOT WAVE SOLDER WITH THIS DEVICE
 6. FOR BEST RESULTS USE ONLY NARROW VIEWING ANGLE NON-DIFFUSED LEDS WITH OUTPUT POWER GREATER THAN 100mcd
 7. NOT RECOMMENDED FOR DATA COMMUNICATIONS

UNLESS OTHERWISE SPECIFIED
DIMENSIONS MILLIMETERS [IN.]

TOLERANCES

0 PLC:	±1	SURFACE 3/2
1 PLC:	±.25	TEXTURE: \checkmark
2 PLC:	±.127	
3 PLC:	±.025	
4 PLC:	±.013	
ANGLE:	±1/2°	

REMOVE BURRS AND SHARP EDGES
FLATNESS .005 MM PER MM
ALL DIMENSIONS AFTER FINISH

PRODUCT LIGHT PIPE
MATERIAL NYLON 66

FINISH NONE
DRAWN BY B. BIDWELL
DATE 11/12/08

CHECKED BY K. STOTZ
DATE 09/17/09

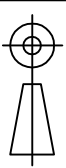
INDUSTRIAL FIBER OPTICS
TEMPE, AZ 85281

NAME MOUNT, VERTICAL LED TO LIGHT PIPE

SIZE SCALE 2:1 PART NUMBER 51 0321 REV C

DO NOT SCALE DRAWING SHEET 1 OF 1

PART IS MADE OF BLACK NYLON.



METRIC